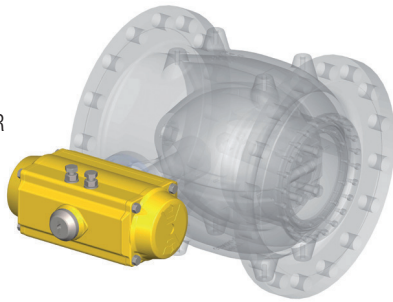
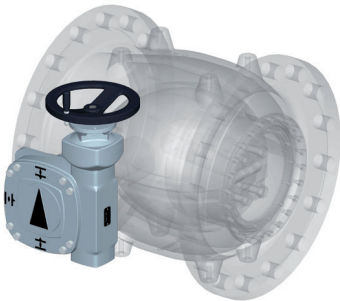


# OPERATING DEVICES

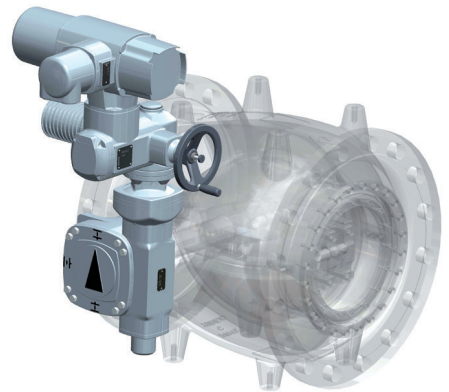
PNEUMATIC ACTUATOR



WORM GEARBOX AND HANDWHEEL



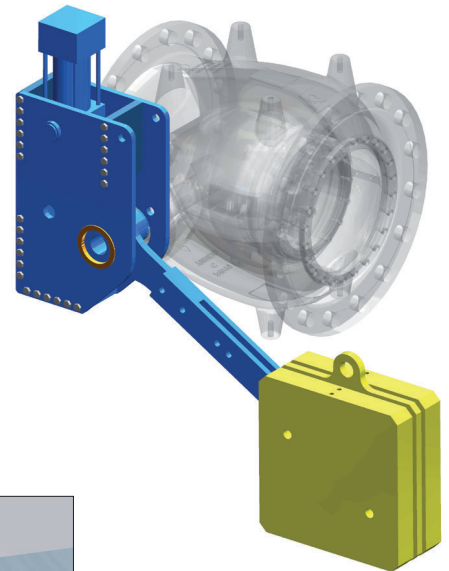
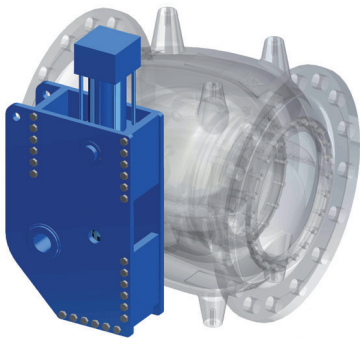
ELECTRIC ACTUATOR



MAIN VALVE



DOUBLE-ACTING HYDRAULIC ACTUATOR



HYDRAULIC CYLINDER AND COUNTERWEIGHT

FLOAT ACTUATOR

