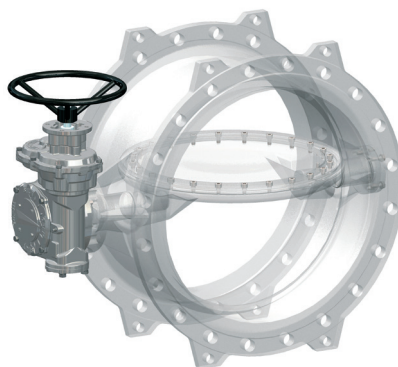


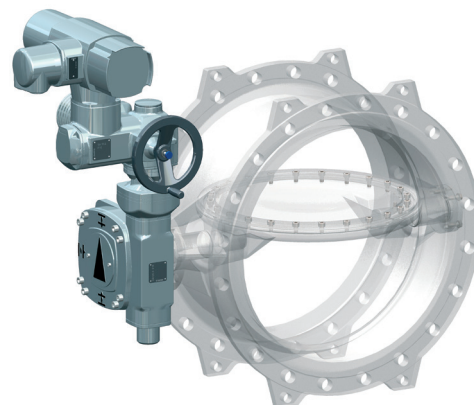
OPERATING DEVICES



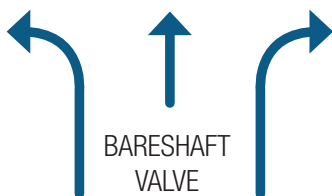
BURIED SERVICE



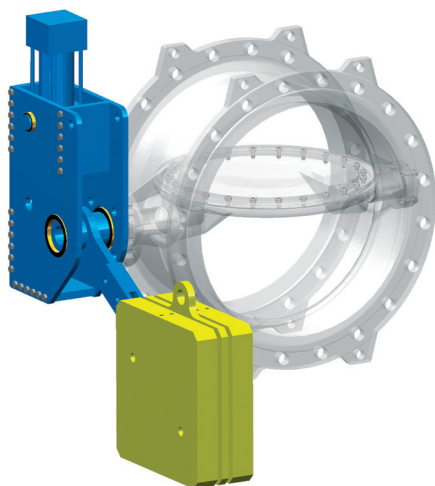
WORM GEARBOX  
AND HANDWHEEL



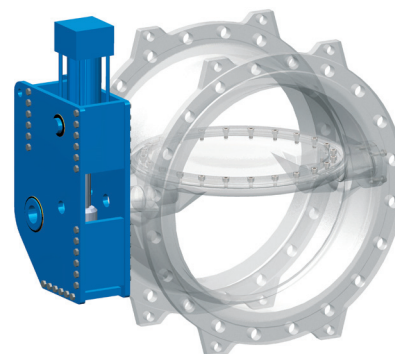
ELECTRIC ACTUATOR



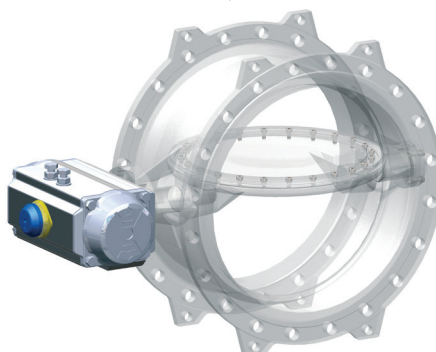
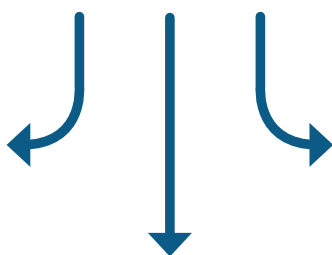
BARESHAFT  
VALVE



HYDRAULIC CYLINDER  
AND COUNTERWEIGHT



DOUBLE ACTING  
HYDRAULIC CYLINDER



PNEUMATIC ACTUATOR