

P2100P/P3100P • FIXED RATIO “PROPORTIONAL” PRESSURE REDUCING VALVE

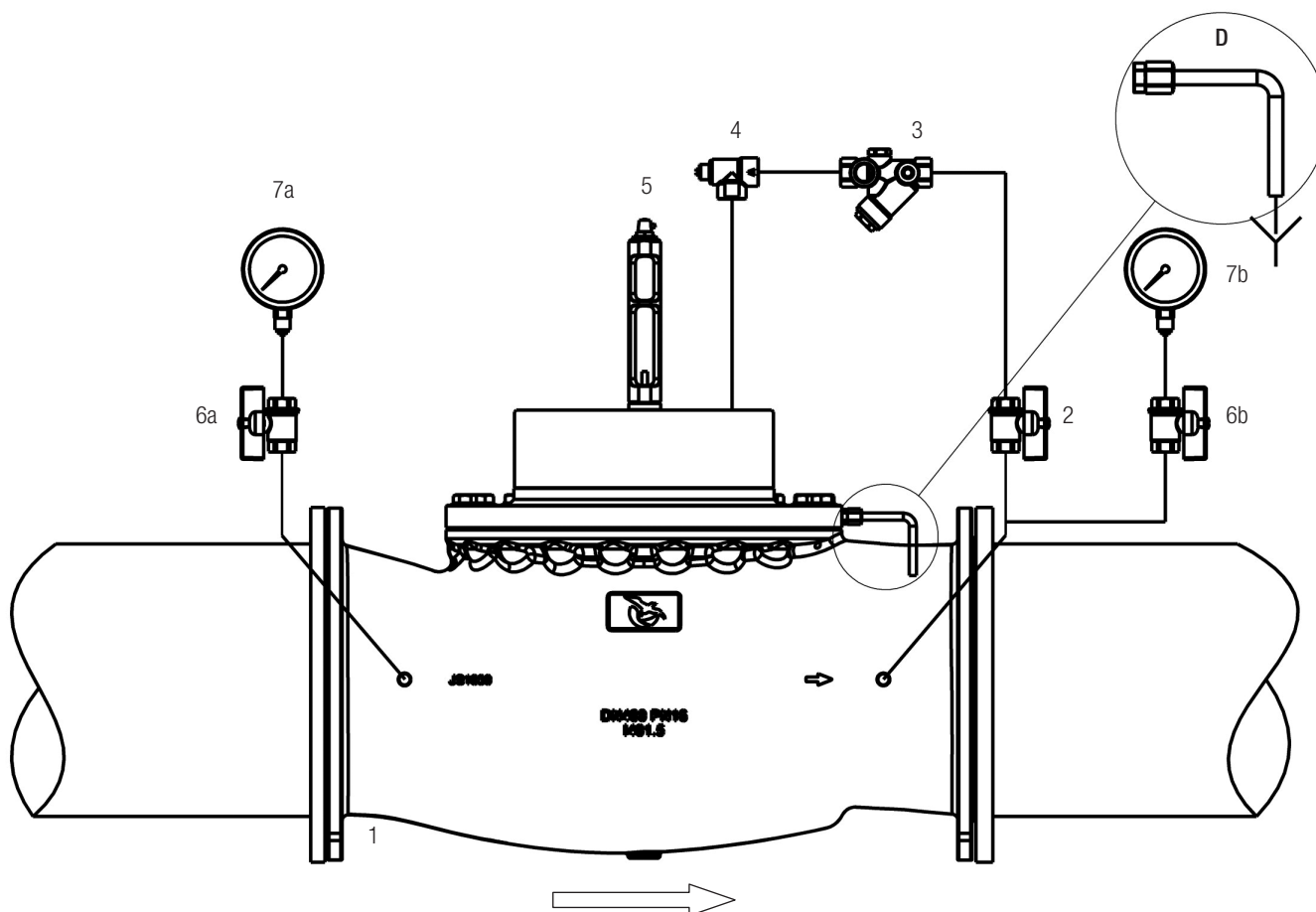


OPERATING PRINCIPLE

The valve is hydraulically operated, piston actuated type. This valve is studied to prevent throttling noise reduction. It reduces a higher inlet pressure to a lower downstream pressure at a fixed ratio (standard 3:1 ratio). The valve has a simple maintenance because it doesn't have any type of external pilot. It can be used in series with another pressure reducing valve avoiding any “swinging” effect. It is also a non-return valve with controllable opening and closing speeds.

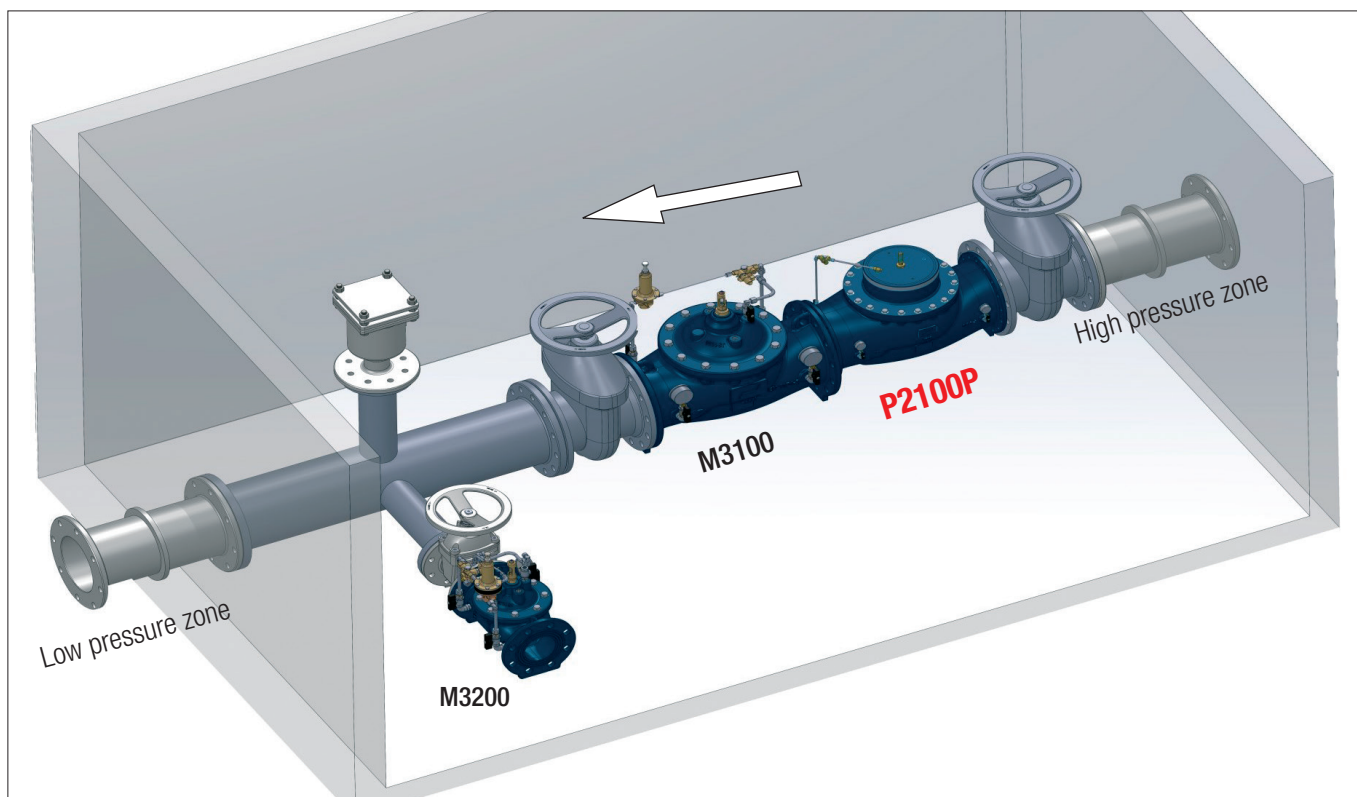
CIRCUIT AND MATERIALS

NUOVA LINE



ITEM	DESCRIPTION	MATERIALS (STANDARD)
1	Main valve	GJS400-15 EN1563
2	Isolating ball valve	Ottone nichelato
3	Y - strainer with calibrated orifice	1.4401 EN10088-3
4	Monodirectional needle valve	1.4401 EN10088-3
5	Position indicator with manual venting device [OPTIONAL]	1.4401 EN10088-3 + Hardened glass
6 (a,b)	Gauge holder with drainage	Ni-plated Brass
7 (a,b)	Pressure gauge	1.4301 EN10088-3 + Glicerina
D	Pipe drainage	1.4401 EN10088-3
--	Pipe	1.4401 EN10088-3
--	Fittings	1.4401 EN10088-3
--	Compression fittings	1.4401 EN10088-3

TYPICAL INSTALLATION



NUOVAL LINE

TYPICAL APPLICATION

