

T.i.S.

Art. 038020 TIS1

COLLARE DI PRESA IN BIANCO, PE100, SDR 11

BRANCH SADDLES, PE 100, SDR 11

APPLICAZIONE:

Impianti di acquedottistica, di convogliamento gas combustibili, di fognature civili ed industriali, di irrigazione etc...

APPLICATION:

Water pipeline systems, for gas, civil and industrial sewerage, irrigation etc...

NORME PRODOTTO:

UNI EN 1555-3
UNI EN 12201-3

PRODUCT STANDARS:

UNI EN 1555-3
UNI EN 12201-3

TEMPERATURA DI ESERCIZIO:

Max. +60°C

WORKING TEMPERATURE:

Max. +60°C

PRESSIONE DI ESERCIZIO MAX:

Acqua PN16
Gas S5

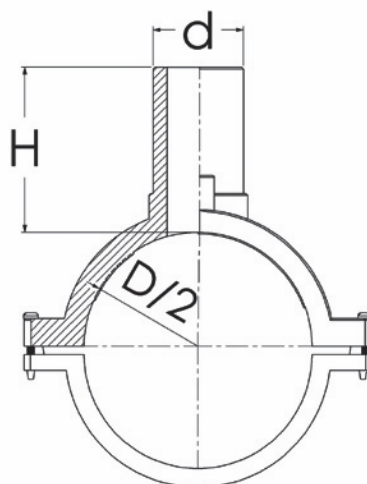
MAX WORKING PRESSURE:

Water PN16
Gas S5

TYPE A



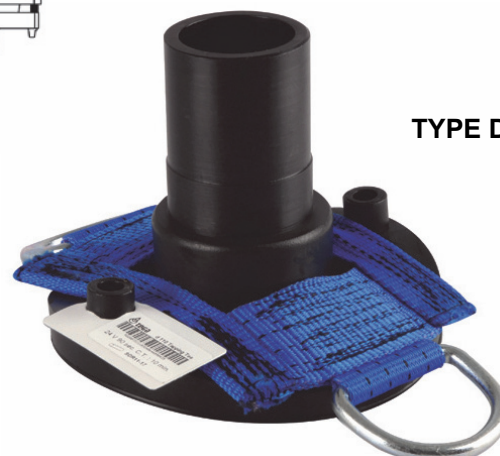
TYPE B



TYPE C



TYPE D





Art. 038020 TIS1

D	d	H	Type	D	d	H	Type	D	d	H	Type	D	d	H	Type
40	20	75	A	110	25	95	A	180	40	95	C	280	63	125	D
40	25	75	A	110	32	95	A	180	50	110	C	315	20	110	D
40	32	75	A	110	40	95	A	180	63	110	C	315	25	110	D
50	20	77	A	110	50	110	A	200	20	95	D	315	32	140	D
50	25	77	A	110	63	110	A	200	25	95	D	315	40	115	D
50	32	77	A	125	20	95	A	200	32	95	D	315	50	140	D
50	40	77	A	125	25	95	A	200	40	95	D	315	63	130	D
63	20	77	A	125	32	95	A	200	50	110	D	355	20	110	D
63	25	77	A	125	40	95	A	200	63	110	D	355	25	110	D
63	32	77	A	125	50	110	A	225	20	95	D	355	32	140	D
63	40	77	A	125	63	110	A	225	25	95	D	355	40	115	D
63	50	125	B	140	20	95	C	225	32	95	D	355	50	140	D
63	63	125	B	140	25	95	C	225	40	95	D	355	63	130	D
75	20	77	A	140	32	95	C	225	50	110	D	400	20	110	D
75	25	77	A	140	40	95	C	225	63	110	D	400	25	110	D
75	32	77	A	140	50	110	C	250	20	100	D	400	32	140	D
75	40	77	A	140	63	110	C	250	25	100	D	400	40	115	D
75	50	125	B	160	20	95	C	250	32	130	D	400	50	140	D
75	63	125	B	160	25	95	C	250	40	110	D	400	63	130	D
90	20	95	A	160	32	95	C	250	50	130	D	450	20	110	D
90	25	95	A	160	40	95	C	250	63	125	D	450	25	110	D
90	32	95	A	160	50	110	C	280	20	100	D	450	32	140	D
90	40	95	A	160	63	110	C	280	25	100	D	450	40	115	D
90	50	135	A	180	20	95	C	280	32	130	D	450	50	140	D
90	63	135	A	180	25	95	C	280	40	110	D	450	63	130	D
110	20	95	A	180	32	95	C	280	50	130	D				