

M3410 • FLOW CONTROL AND PRESSURE REDUCING VALVE



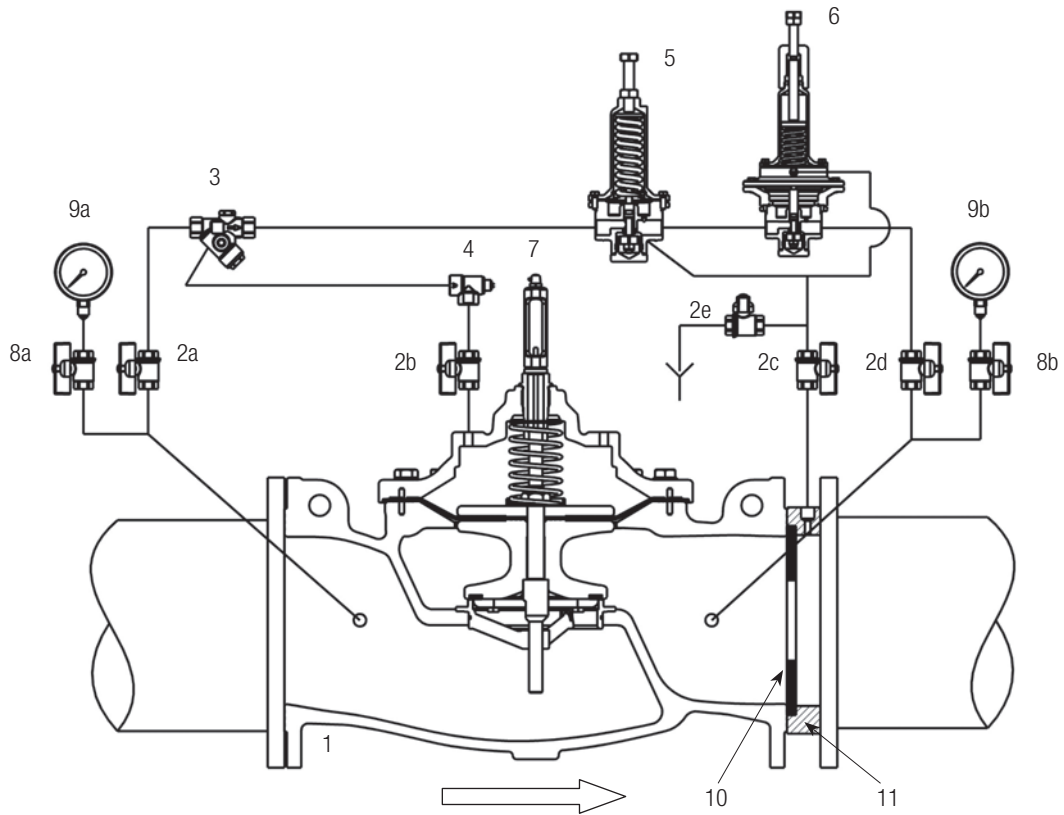
OPERATING PRINCIPLE

The valve automatically limits flow to a maximum flow rate, independently of pressure variations upstream and downstream. Every differential pressure variation, measured by a calibrated orifice (installed downstream of the valve), is transmitted to a differential pilot control that immediately corrects the position of the valve in order to limit the flow rate at the value setted. If the required instant flow is lower than the maximum flow rate setted, then the valve will works as a pressure reducing valve.

ADDITIONAL FUNCTIONS

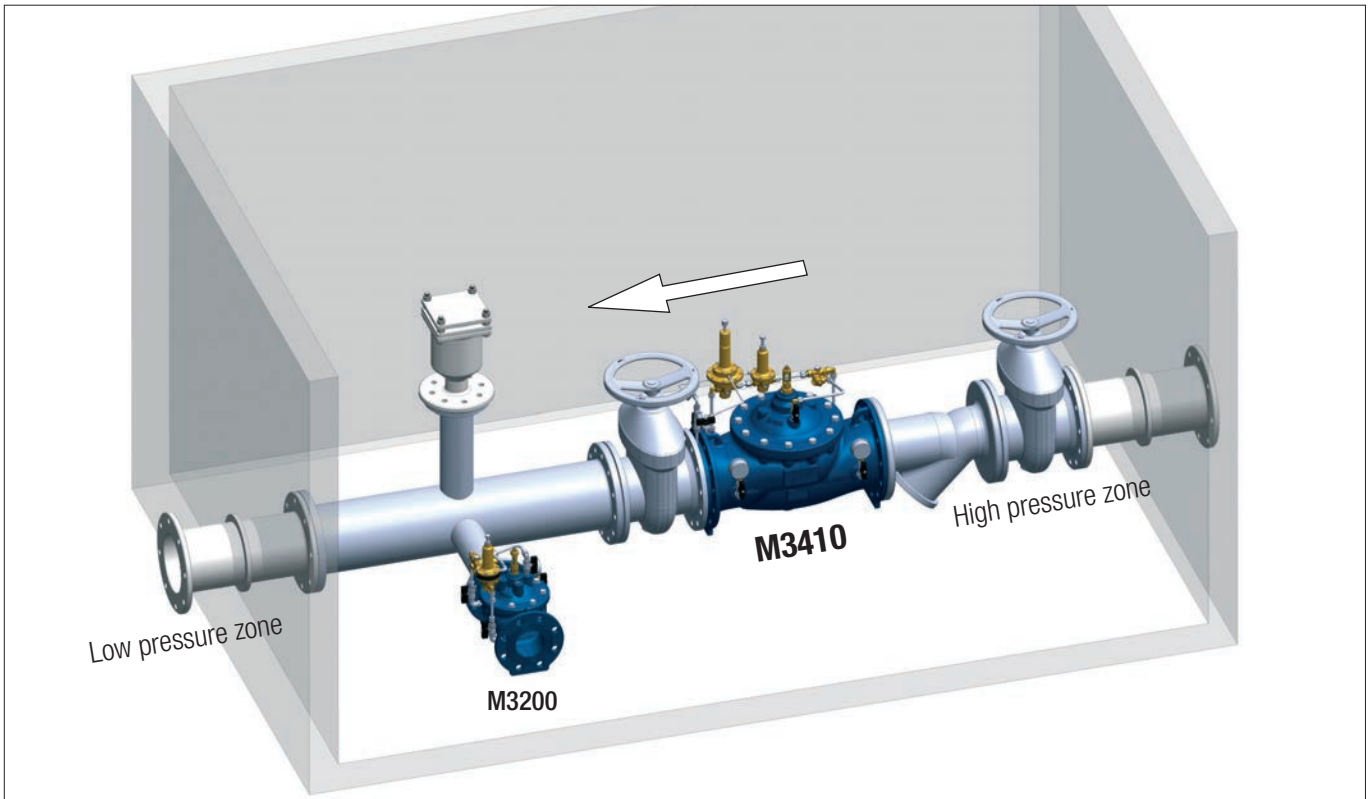
- pressure sustaining;
- shut-off with electrical remote control;
- non-return;
- reverse opening device;
- two flow rates settable either by electrical remote control, or manually.

CIRCUIT AND MATERIALS



ITEM	DESCRIPTION	MATERIALS
1	Main valve	GJS400-15 EN1563
2 (a,b,c,d,e)	Isolating ball valve	Ni-plated Brass
3	Y - strainer with calibrated orifice	1.4401 EN10088-3 + Brass
4	Monodirectional needle valve	1.4401 EN10088-3 + Brass
5	Pressure reducing pilot CV100 with remote sensing (R)	1.4401 EN10088-3 + Brass
6	CP400 flow rate control pilot	1.4301 EN10088-3 + Brass
7	Position indicator with manual venting cock	Brass + Hardened glass
8 (a,b)	Gauge holder with drainage hole	Ni-plated Brass
9 (a,b)	Pressure gauge	1.4301 EN10088-3 + Glycerine
10	Calibrated orifice	1.4301 EN10088-3
11	Clamping plate	Steel epoxy coated
--	Pipe	1.4401 EN10088-3
--	Fittings	1.4401 EN10088-3
--	Compression fittings	1.4401 EN10088-3 + Brass

TYPICAL INSTALLATION



TYPICAL APPLICATION

