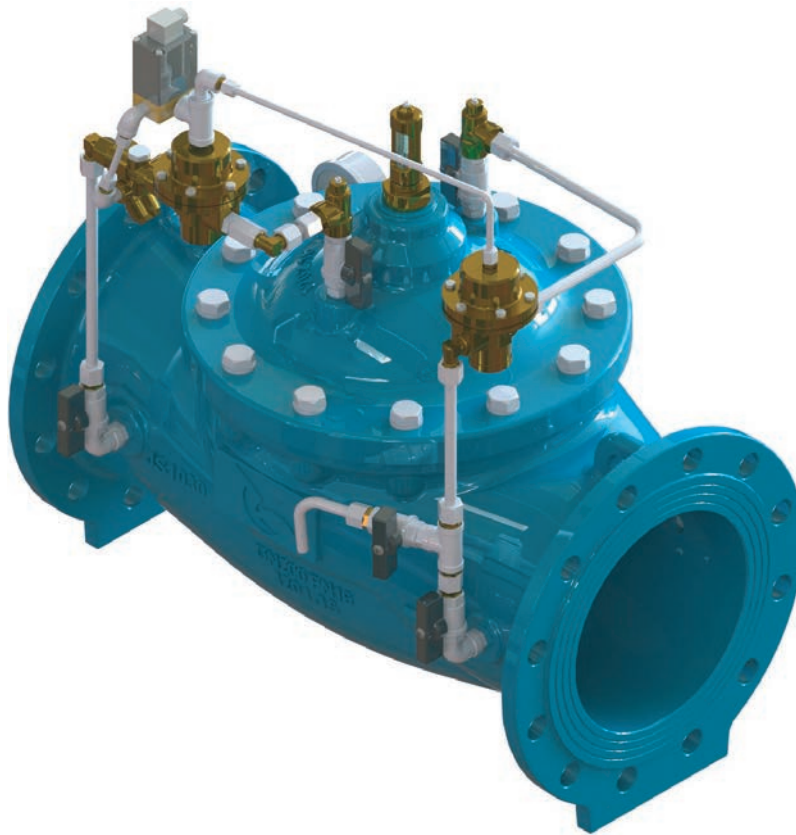


M3700 • HYDRAULIC ON-OFF VALVE WITH ELECTRICAL REMOTE CONTROL (FROM DN300 TO DN1000)



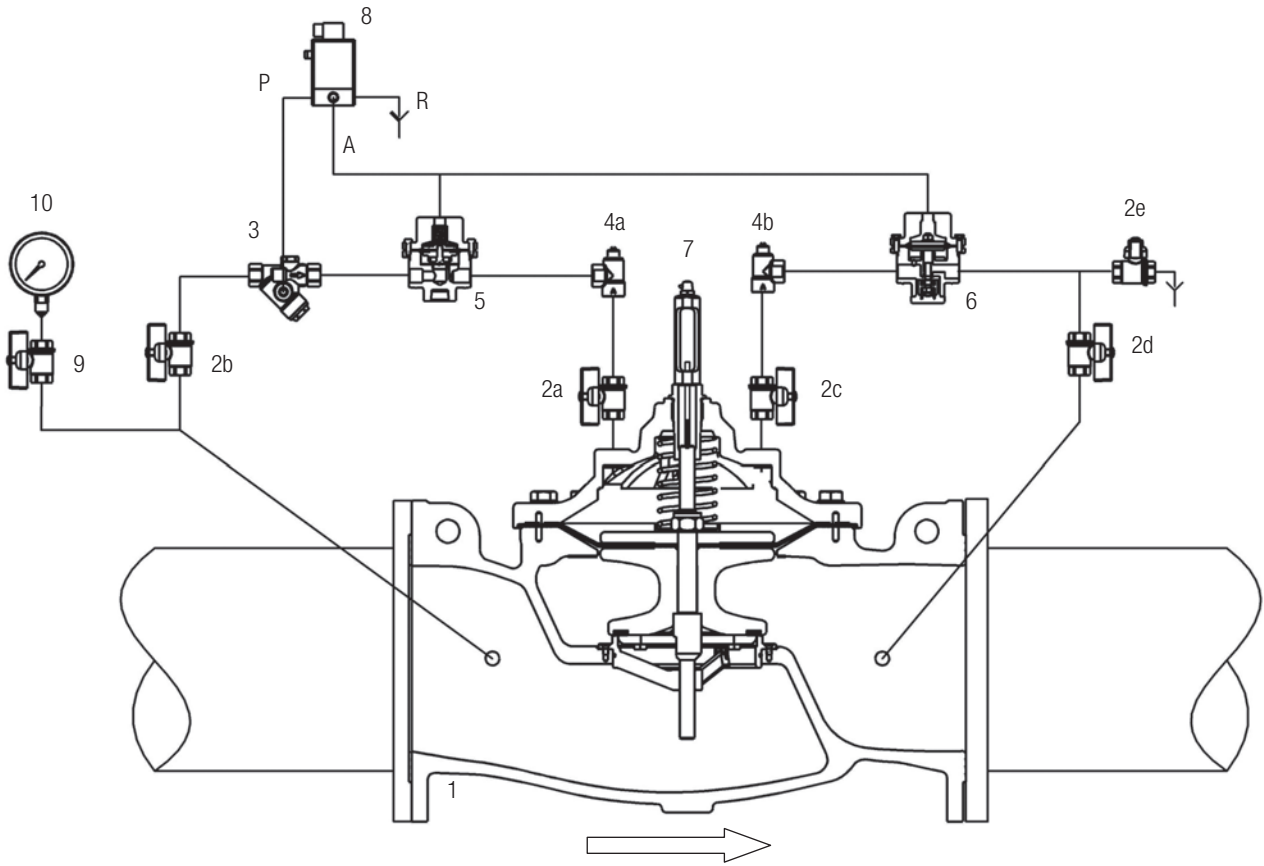
OPERATING PRINCIPLE

The valve is controlled by a three-way solenoid valve, which acts on two auxiliary valves (one normally closed, and one normally opened). According to the required application, the main valve can be normally closed (it opens by energizing the solenoid valve) or it can be normally open (it close by energizing the solenoid valve).

ADDITIONAL FUNCTIONS

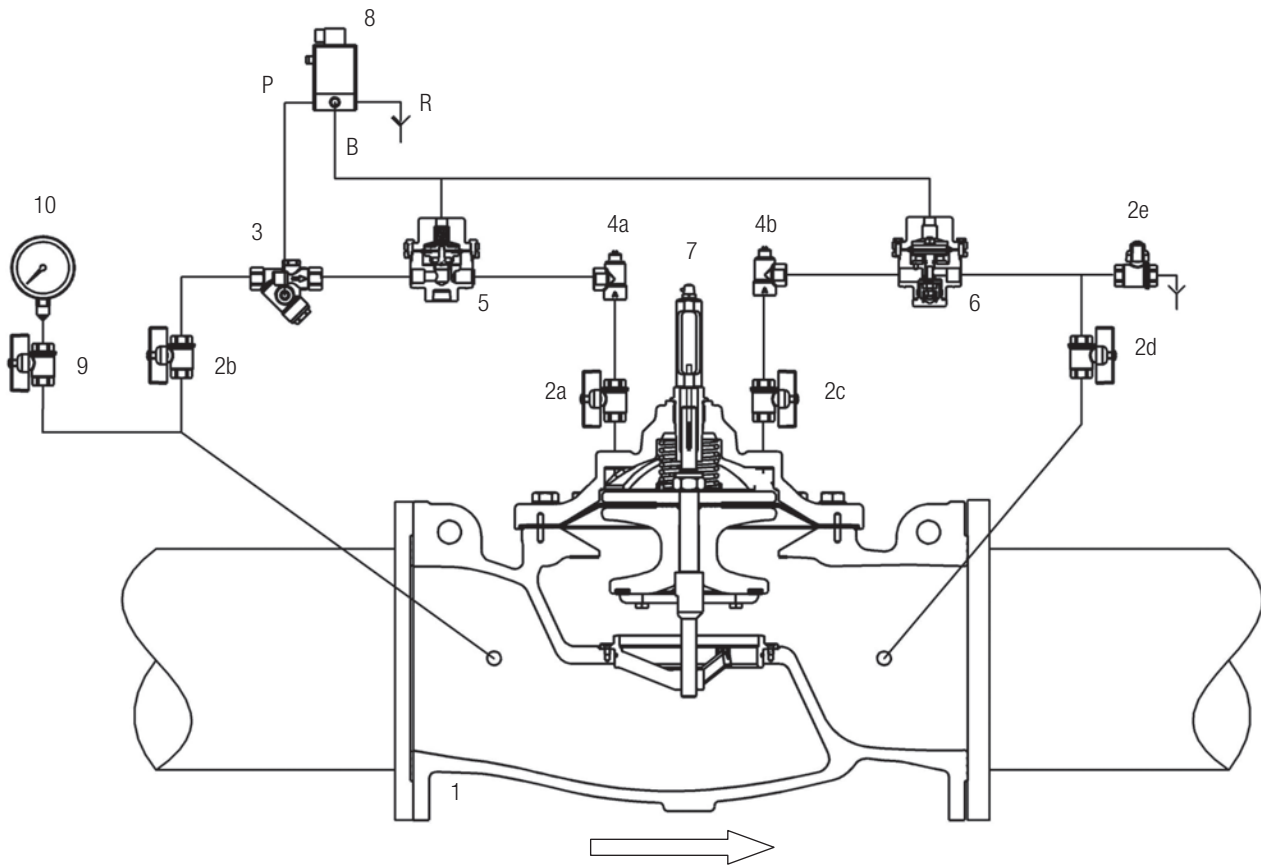
- bi-directional (shut off in the two possible flow directions);
- non-return;
- overpressure relief (only if the valve has been remotely closed);
- anti water-hammer closure.

CIRCUIT AND MATERIALS



MAIN VALVE NORMALLY CLOSED (N.C.)

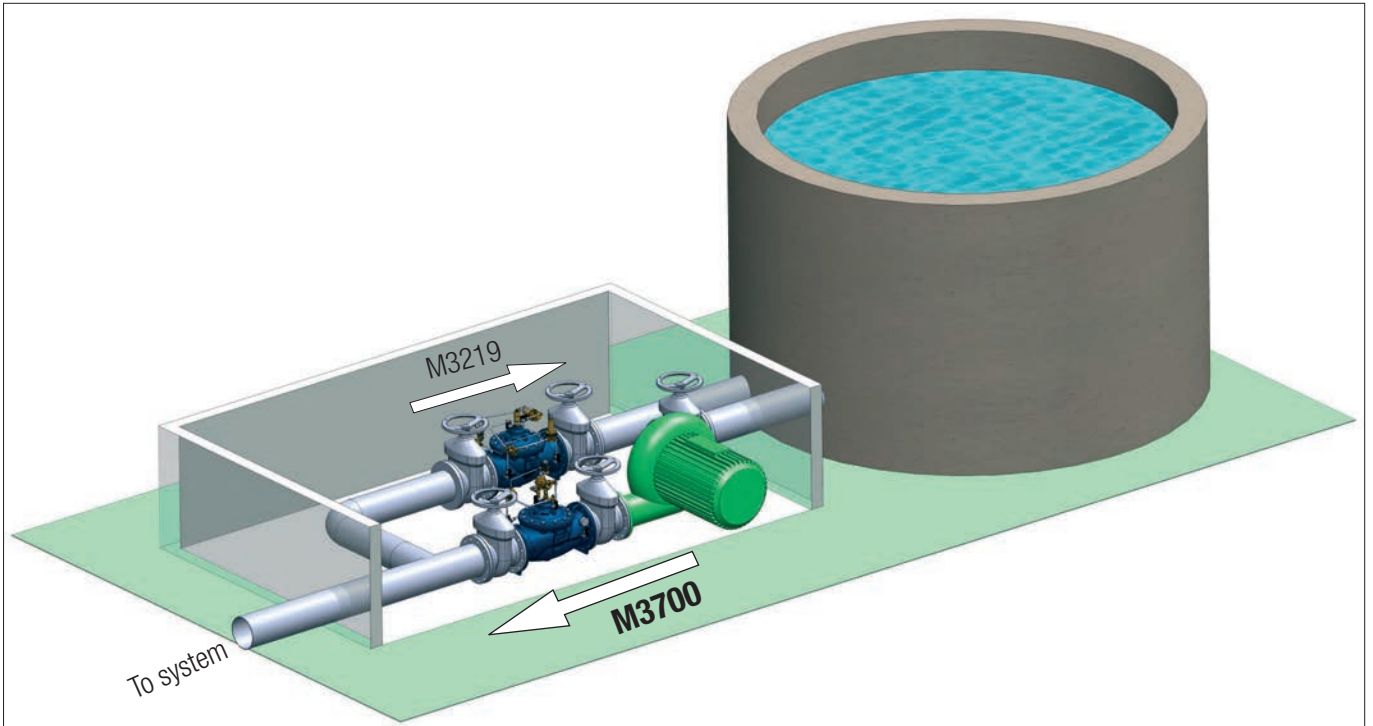
ITEM	DESCRIPTION	MATERIALS
1	Main Valve	GJS400-15 EN1563
2 (a,b,c,d,e)	Isolating ball valve	Ni-plated Brass
3	Y - strainer with calibrated orifice	1.4401 EN10088-3 + Brass
4 (a,b)	Bidirectional needle valve	1.4401 EN10088-3 + Brass
5	Auxiliary to way N.O. valve VA200	1.4301 EN10088-3 + Brass
6	Auxiliary to way N.C. valve VC200	1.4301 EN10088-3 + Brass
7	Position indicator with manual venting cock	Brass + Hardened glass
8	3-way solenoid valve	Brass
9	Gauge holder with drainage	Ni-plated Brass
10	Pressure gauge	1.4301 EN10088-3 + Glycerine
--	Pipe	1.4401 EN10088-3
--	Fittings	1.4401 EN10088-3
--	Compression fittings	1.4401 EN10088-3 + Brass



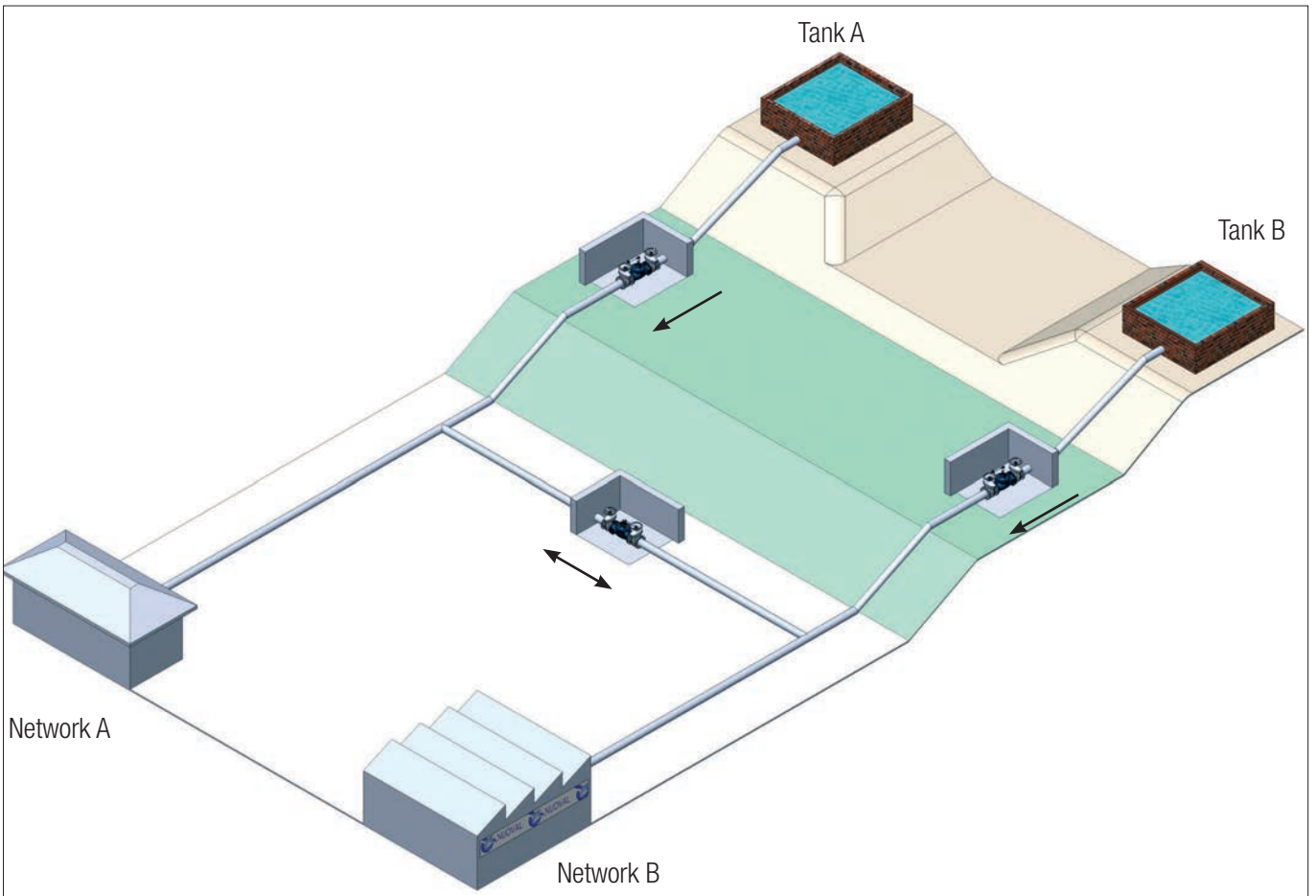
MAIN VALVE NORMALLY OPEN (N.O.)

ITEM	DESCRIPTION	MATERIALS
1	Main Valve	GJS400-15 EN1563
2 (a,b,c,d,e)	Isolating ball valve	Ni-plated Brass
3	Y - strainer with calibrated orifice	1.4401 EN10088-3 + Brass
4 (a,b)	Bidirectional needle valve	1.4401 EN10088-3 + Brass
5	Auxiliary to way N.O. valve VA200	1.4301 EN10088-3 + Brass
6	Auxiliary to way N.C. valve VC200	1.4301 EN10088-3 + Brass
7	Position indicator with manual venting cock	Brass + Hardened glass
8	3-way solenoid valve	Brass
9	Gauge holder with drainage	Ni-plated Brass
10	Pressure gauge	1.4301 EN10088-3 + Glycerine
--	Pipe	1.4401 EN10088-3
--	Fittings	1.4401 EN10088-3
--	Compression fittings	1.4401 EN10088-3 + Brass

TYPICAL INSTALLATION



TYPICAL APPLICATION



M3701 • HYDRAULIC ON/OFF VALVE WITH ELECTRICAL REMOTE CONTROL (FROM DN50 TO DN250)



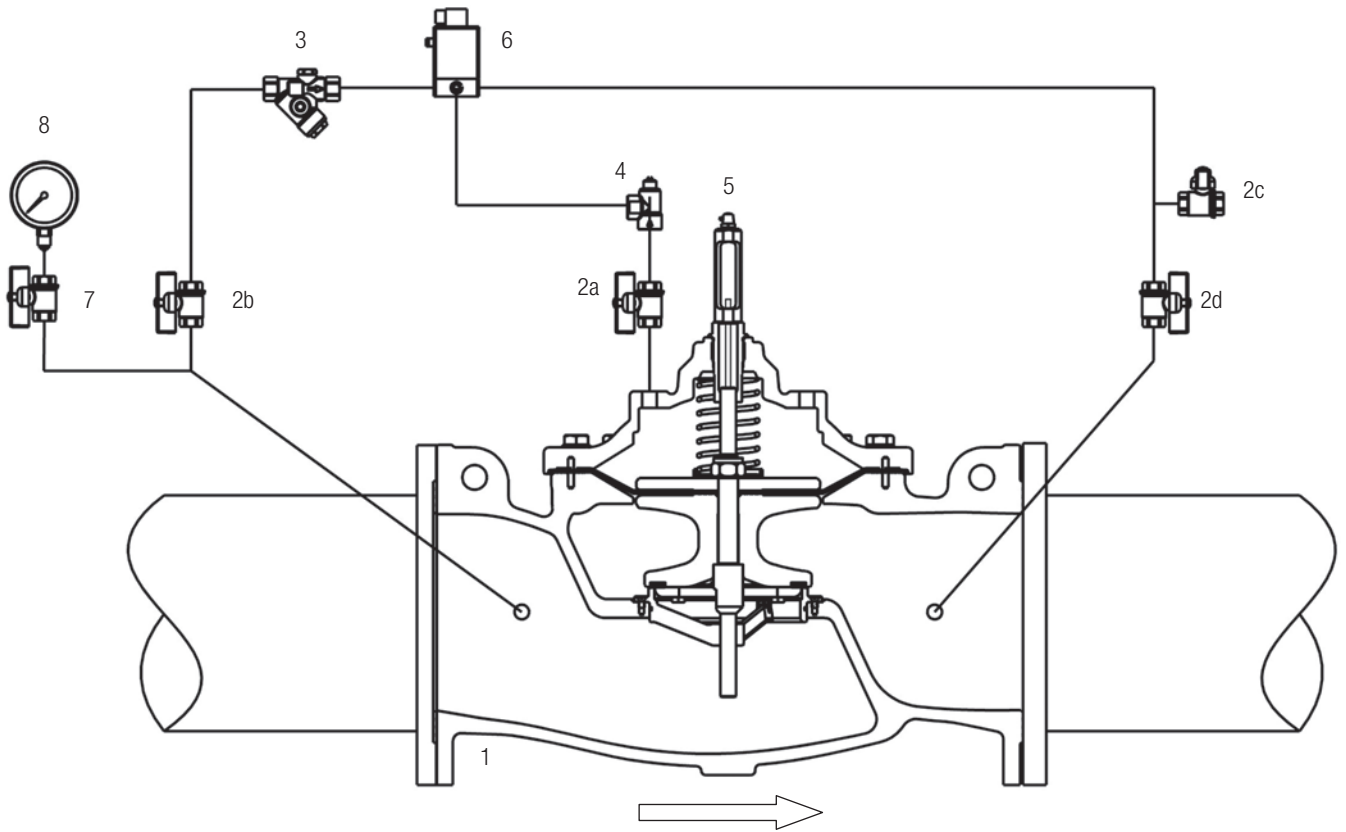
OPERATING PRINCIPLE

The valve is controlled by a three-way solenoid valve, which acts directly into the cover chamber of the main valve. According to the required application, the main valve can be normally closed (it opens by energizing the solenoid valve) or it can be normally open (it close by energizing the solenoid valve).

ADDITIONAL FUNCTIONS

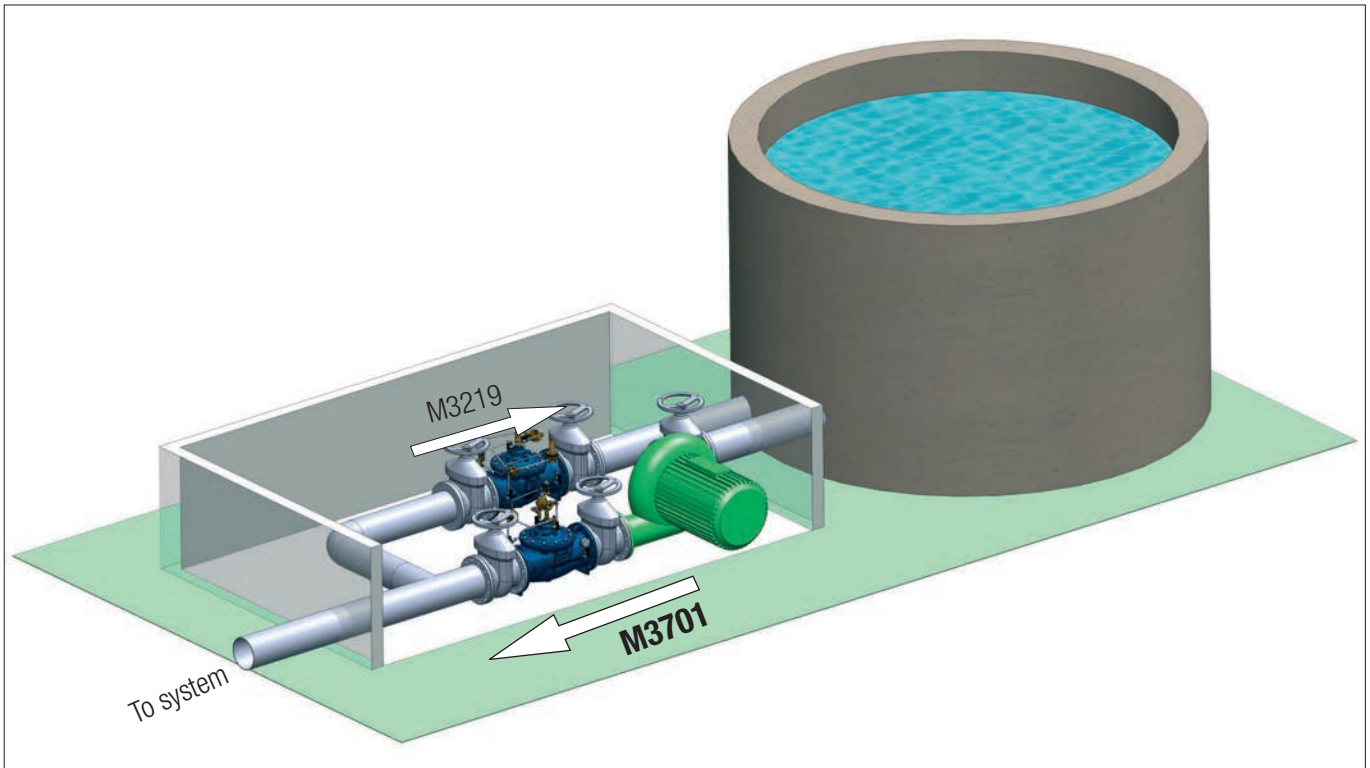
- bi-directional (shut off in the two possible flow directions);
- non-return;
- overpressure relief (only if the valve has been remotely closed);
- anti water-hammer closure.

CIRCUIT AND MATERIALS



ITEM	DESCRIPTION	MATERIALS
1	Main valve	GJS400-15 EN1563
2 (a,b,c,d)	Isolating ball valve	Ni-plated Brass
3	Y - strainer with calibrated orifice	1.4401 EN10088-3 + Brass
4	Bidirectional needle valve	1.4401 EN10088-3 + Brass
5	Position indicator with manual venting cock	Brass + Hardened glass
6	3-way solenoid valve	Brass
7	Gauge holder with drain	Ni-plated Brass
8	Pressure gauge	1.4301 EN10088-3 + Glycerine
--	Pipe	1.4401 EN10088-3
--	Fittings	1.4401 EN10088-3
--	Compression fittings	1.4401 EN10088-3 + Brass

TYPICAL INSTALLATION



TYPICAL APPLICATION

