



Art. 048014

FLANGIA A COLLARINO A SALDARE, PN10

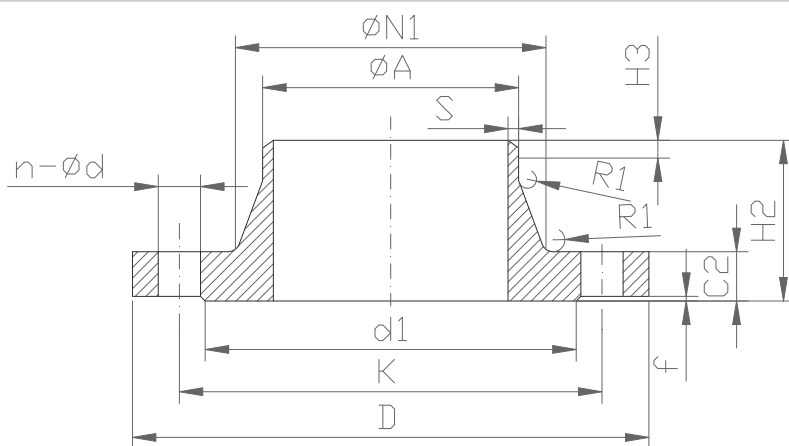
WELD NECK FLANGE, PN10

NORME PRODOTTO:
MATERIALI:

EN 1092-1-11
Acciaio al carbonio

PRODUCT STANDARDS:
MATERIALS:

EN 1092-1-11
Carbon steel



DN	d1	K	D	n - ød	VITE SCREW	C2	øA	øN1	H2	H3	f	R1	S	PESO kg WEIGHT
15	45	65	95	4 - 14	M12	16	21.3	32	38	6	2	4	2.0	0.8
20	58	75	105	4 - 14	M12	18	26.9	40	40	6	2	4	2.3	1.1
25	68	85	115	4 - 14	M12	18	33.7	46	40	6	2	4	2.6	1.3
32	78	100	140	4 - 18	M16	18	42.4	56	42	6	2	6	2.6	1.9
40	88	110	150	4 - 18	M16	18	48.3	64	45	7	3	6	2.6	2.1
50	102	125	165	4 - 18	M16	18	60.3	74	45	8	3	6	2.9	2.5
65	122	145	185	*8 - 18	M16	18	76.1	92	45	10	3	6	2.9	3.0
80	138	160	200	8 - 18	M16	20	88.9	105	50	10	3	6	3.2	3.9
100	158	180	220	8 - 18	M16	20	114.3	131	52	12	3	8	3.6	4.6
125	188	210	250	8 - 18	M16	22	139.7	156	55	12	3	8	4.0	6.3
150	212	240	285	8 - 22	M20	22	168.3	184	55	12	3	10	4.5	7.8
200	268	295	340	8 - 22	M20	24	219.1	234	62	16	3	10	6.3	11.6
250	320	350	395	12 - 22	M20	26	273.0	292	68	16	3	12	6.3	15.8
300	370	400	445	12 - 22	M20	26	323.9	342	68	16	4	12	7.1	18.3
350	430	460	505	16 - 22	M20	26	355.6	385	68	16	4	12	7.1	25.3
400	482	515	565	16 - 26	M24	26	406.4	440	72	16	4	12	7.1	30.6
450	532	565	615	20 - 26	M24	28	457.2	488	72	16	4	12	7.1	35.1
500	585	620	670	20 - 26	M24	28	508.0	542	75	16	4	12	7.1	40.5
600	685	725	780	20 - 30	M27	30	610.0	642	82	18	5	12	8.0	52.9
700	800	840	895	24 - 30	M27	35	711.0	746	85	18	5	12	8.8	75.8
800	905	950	1015	24 - 33	M30	38	813.0	850	96	18	5	12	8.8	102.0
900	1005	1050	1115	28 - 33	M30	38	914.0	950	99	20	5	12	12.5	121.0
1000	1110	1160	1230	28 - 36	M33	44	1016.0	1052	105	20	5	16	12.5	161.0

*Su richiesta 4 fori. 4 holes available on request.



Art. 048016

FLANGIA A COLLARINO A SALDARE, PN16

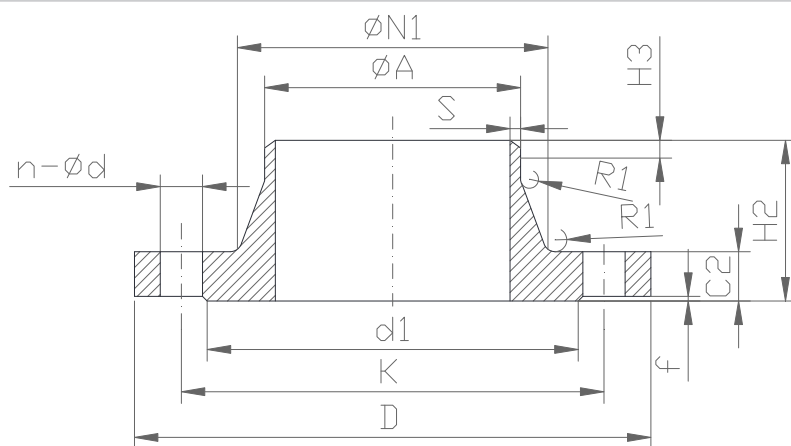
WELD NECK FLANGE, PN16

NORME PRODOTTO:
MATERIALI:

EN 1092-1-11
Acciaio al carbonio

PRODUCT STANDARDS:
MATERIALS:

EN 1092-1-11
Carbon steel



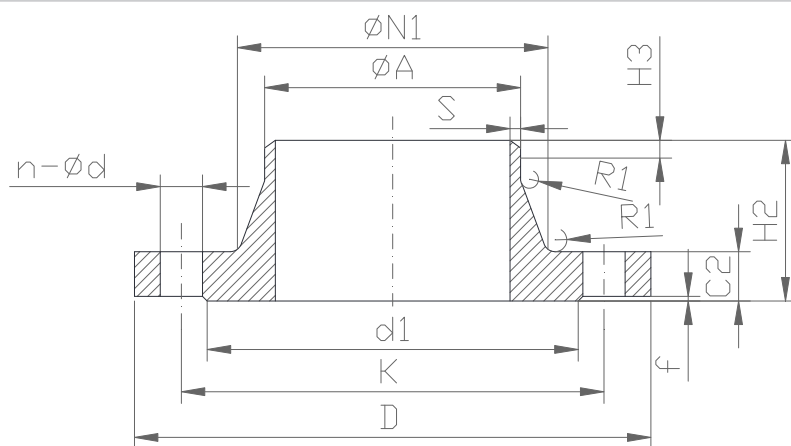
DN	d1	K	D	n - ød	VITE SCREW	C2	øA	øN1	H2	H3	f	R1	s	PESO kg WEIGHT
15	45	65	95	4 -14	M12	16	21.3	32	38	6	2	4	2.0	0.8
20	58	75	105	4 -14	M12	18	26.9	40	40	6	2	4	2.3	1.1
25	68	85	115	4 -14	M12	18	33.7	46	40	6	2	4	2.6	1.3
32	78	100	140	4 -18	M16	18	42.4	56	42	6	2	6	2.6	1.9
40	88	110	150	4 -18	M16	18	48.3	64	45	7	3	6	2.6	2.1
50	102	125	165	4 -18	M16	18	60.3	74	45	8	3	6	2.9	2.5
65	122	145	185	*8 -18	M16	18	76.1	92	45	10	3	6	2.9	3.0
80	138	160	200	8 -18	M16	20	88.9	105	50	10	3	6	3.2	3.9
100	158	180	220	8 -18	M16	20	114.3	131	52	12	3	8	3.6	4.6
125	188	210	250	8 -18	M16	22	139.7	156	55	12	3	8	4.0	6.3
150	212	240	285	8 -22	M20	22	168.3	184	55	12	3	10	4.5	7.8
200	268	295	340	12 -22	M20	24	219.1	235	62	16	3	10	6.3	11.5
250	320	355	405	12 -26	M24	26	273	292	70	16	3	12	6.3	16.7
300	378	410	460	12 -26	M24	28	323.9	344	78	16	4	12	7.1	22.1
350	438	470	520	16 -26	M24	30	355.6	390	82	16	4	12	8.0	32.8
400	490	525	580	16 -30	M27	32	406.4	445	85	16	4	12	8.0	41.1
450	550	585	640	20 -30	M27	34	457.0	490	83	16	4	12	8.8	48.5
500	610	650	715	20 -33	M30	36	508.0	548	84	16	4	12	8.8	63.4
600	725	770	840	20 -36	M33	40	610.0	670	88	18	5	12	11.0	94.0
700	795	840	910	24 -36	M33	40	711.0	755	104	18	5	12	10.0	96.5
800	900	950	1025	24 -39	M36	41	813.0	855	108	20	5	12	12.5	122.0
900	1000	1050	1125	28 -39	M36	48	914.0	955	118	20	5	12	12.5	155.0
1000	1115	1170	1255	28 -42	M39	59	1016.0	1058	137	22	5	16	12.5	233.0

*Su richiesta 4 fori. 4 holes available on request.

FLANGIA A COLLARINO A SALDARE, PN25
WELD NECK FLANGE, PN25
NORME PRODOTTO:
MATERIALI:

 EN 1092-1-11
 Acciaio al carbonio

PRODUCT STANDARDS:
MATERIALS:

 EN 1092-1-11
 Carbon steel


DN	d1	K	D	n-ød	VITE SCREW	C2	øA	øN1	H2	H3	f	R1	S	PESO kg WEIGHT
15	45	65	95	4-14	M12	16	21.3	32	38	6	2	4	2.0	0.8
20	58	75	105	4-14	M12	18	26.9	40	40	6	2	4	2.3	1.1
25	68	85	115	4-14	M12	18	33.7	46	40	6	2	4	2.6	1.3
32	78	100	140	4-18	M16	18	42.4	56	42	6	2	6	2.6	1.9
40	88	110	150	4-18	M16	18	48.3	64	45	7	3	6	2.6	2.1
50	102	125	165	4-18	M16	20	60.3	75	48	8	3	6	2.9	2.8
65	122	145	185	8-18	M16	22	76.1	90	52	10	3	6	2.9	3.7
80	138	160	200	8-18	M16	24	88.9	105	58	12	3	8	3.2	4.8
100	162	190	235	8-22	M20	24	114.3	134	65	12	3	8	3.6	6.5
125	188	220	270	8-26	M24	26	139.7	162	68	12	3	8	4.0	8.9
150	218	250	300	8-26	M24	28	168.3	192	75	12	3	10	4.5	11.7
200	278	310	360	12-26	M24	30	219.1	244	80	16	3	10	6.3	17.1
250	335	370	425	12-30	M27	32	273.0	298	88	18	3	12	7.1	24.3
300	395	430	485	16-30	M27	34	323.9	352	92	18	4	12	8.0	31.8
350	450	490	555	16-33	M30	38	355.6	398	100	20	4	12	8.0	48.8
400	505	550	620	16-36	M33	40	406.4	452	110	20	4	12	8.8	63.3
450	555	600	670	20-36	M33	46	457.0	500	110	20	4	12	8.8	76.0
500	615	660	730	20-36	M33	48	508.0	558	125	20	4	12	10.0	97.0
600	720	770	845	20-39	M36	48	610.0	660	125	20	5	12	12.5	121.0
700	820	875	960	24-42	M39	50	711.0	760	129	20	5	12	14.2	155.0
800	930	990	1085	24-48	M45	53	813.0	864	138	22	5	12	16.0	205.0
900	1030	1090	1185	28-48	M45	57	914.0	968	148	24	5	12	17.5	249.0
1000	1140	1210	1320	28-56	M52	63	1016.0	1070	160	24	5	16	20.0	338.0



Art. 048023

FLANGIA A COLLARINO A SALDARE, PN40

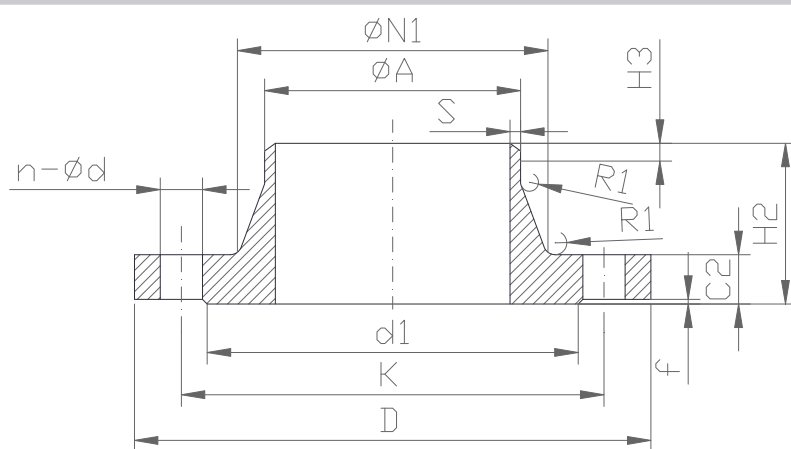
WELD NECK FLANGE, PN40

NORME PRODOTTO:
MATERIALI:

EN 1092-1-11
Acciaio al carbonio

PRODUCT STANDARDS:
MATERIALS:

EN 1092-1-11
Carbon steel



DN	d1	K	D	n - ød	VITE SCREW	C2	øA	øN1	H2	H3	f	R1	S	PESO kg WEIGHT
15	45	65	95	4 -14	M12	16	21.3	32	38	6	2	4	2.0	0.8
20	58	75	105	4 -14	M12	18	26.9	40	40	6	2	4	2.3	1.1
25	68	85	115	4 -14	M12	18	33.7	46	40	6	2	4	2.6	1.3
32	78	100	140	4 -18	M16	18	42.4	56	42	6	2	6	2.6	1.9
40	88	110	150	4 -18	M16	18	48.3	64	45	7	3	6	2.6	2.1
50	102	125	165	4 -18	M16	20	60.3	75	48	8	3	6	2.9	2.8
65	122	145	185	8 -18	M16	22	76.1	90	52	10	3	6	2.9	3.7
80	138	160	200	8 -18	M16	24	88.9	105	58	12	3	8	3.2	4.8
100	162	190	235	8 -22	M20	24	114.3	134	65	12	3	8	3.6	6.5
125	188	220	270	8 -26	M24	26	139.7	162	68	12	3	8	4.0	8.9
150	218	250	300	8 -26	M24	28	168.3	192	75	12	3	10	4.5	11.7
200	285	320	375	12 -30	M27	34	219.1	244	88	16	3	10	6.3	21.0
250	345	385	450	12 -33	M30	38	273.0	306	105	18	3	12	7.1	34.2
300	410	450	515	16 -33	M30	42	323.9	362	115	18	4	12	8.0	47.6
350	465	510	580	16 -36	M33	46	355.6	408	125	20	4	12	8.8	69.3
400	535	585	660	16 -39	M36	50	406.4	462	135	20	4	12	11.0	98.0
450	560	610	685	20 -39	M36	57	457.0	500	135	20	4	12	12.5	105.0
500	615	670	755	20 -42	M39	57	508.0	562	140	20	4	12	14.2	130.0
600	735	795	890	20 -48	M45	72	610.0	666	150	20	5	12	16.0	209.0