

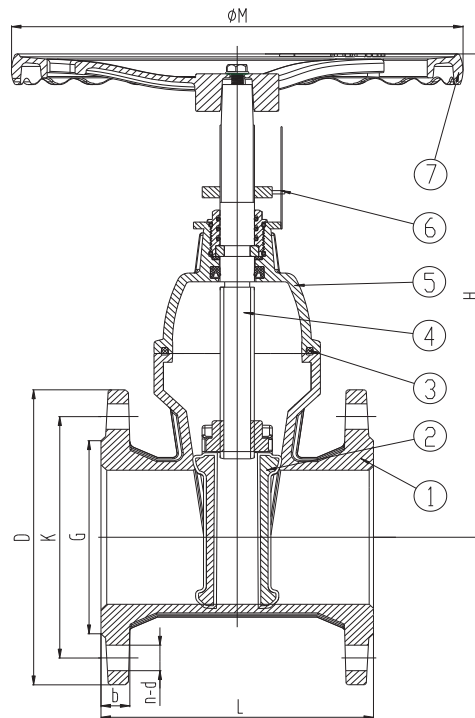
RESILIENT SEATED GATE VALVE WITH LOCKABLE MECHANICAL POSITION INDICATOR • PN16

DESIGN FEATURES

- According to EN 1171, EN 1074-1 and EN 1074-2;
- Face to face dimension according to EN 558 series 14;
- Body, bonnet and wedge made of ductile iron EN GJS 500-7 according to EN 1563;
- Wedge coating made of vulcanized EPDM rubber according to EN 681-1 WA;
- Gasket and o-rings made of EPDM rubber according to EN 681-1 WA;
- Flange dimensions according to EN 1092-2;
- Body and bonnet connection made of 8.8 grade galvanized steel screws fully protected against corrosion;
- Shaft made of stainless steel EN 1.4021 (AISI 420);
- All materials, including lubricants, in contact with water approved for human consumption according to EN 1074-1 and EN 1074-2;
- Internal and external surface protection made of epoxy resin powder (FBE), blue colour RAL 5005 and minimum thickness of 250µm;
- Hydraulic test according to EN 12266-1;
- Working temperature Min. -10°C (excluded frost) Max. + 70°C.



DIMENSIONS AND MATERIALS



ITEM	COMPONENT	MATERIAL	NOTE
1	Body	Ductile iron EN-GJS 500-7	Epoxy coating 250 µm
2	Wedge	Ductile iron EN-GJS 500-7 EPDM coated	
3	Main gasket	EPDM rubber	
4	Shaft	Stainless steel AISI 420 (EN 1.4021)	
5	Bonnet	Ductile iron EN-GJS 500-7	Epoxy coating 250 µm
6	Position indicator	Stainless steel	
7	Handwheel	Ductile iron EN-GJS 500-7	Epoxy coating
-	Eye bolt	Galvanized steel	DN200 and above

DN	G	K	D	L	n-ød	b	H	ØM
50	99	125	165	150	4-19	19	245	200
65	118	145	185	170	4-19	19	295	200
80	132	160	200	180	8-19	19	305	200
100	156	180	220	190	8-19	19	345	254
125	184	210	250	200	8-19	19	380	254
150	211	240	285	210	8-23	19	430	315
200	266	295	340	230	12-23	20	540	315
250	319	355	405	250	12-28	22	635	315
300	370	410	460	270	12-28	24.5	735	406