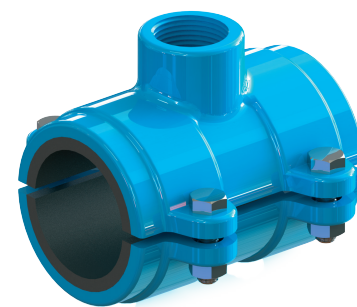




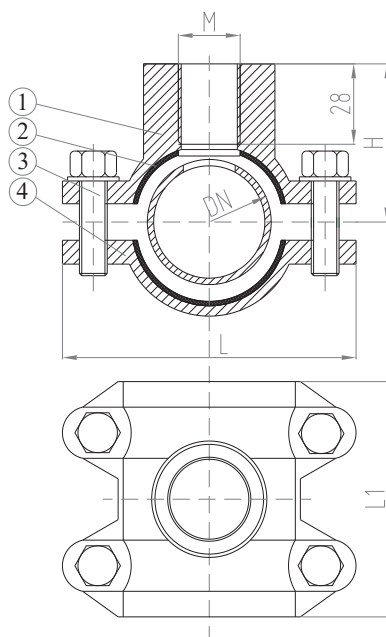
## ART. 036020 TIS1

**COLLARE DI DERIVAZIONE MODELLO "MANICOTTO" CON USCITA FILETTATA PN16**  
**SADDLE FOR PE-PIPES WITH THREADED OUTLET PN16**
**APPLICAZIONE:**

Collare di derivazione per tubazioni in polietilene / PVC.

**APPLICATION:**

Saddle for polyethylene/PVC pipes.



## CARATTERISTICHE PRINCIPALI - MAIN FEATURES

**USCITA:** Filettatura BSPP in accordo a ISO 228-1**OUTLET:** BSPP Thread according to ISO 228-1

	COMPONENTI - PARTS	MATERIALI - MATERIALS
1	CORPO SUPERIORE UPPER BODY	EN GJS 400-15 EN GJS 400-15
2	GUARNIZIONE GASKET	GOMMA EPDM EPDM RUBBER
3	BULLONI E RONDELLE BOLTS AND WASHERS	ACCIAIO INOX A2-70 STAINLESS STEEL A2-70
4	CORPO INFERIORE LOWER BODY	EN GJS 400-15 EN GJS 400-15

## RIVESTIMENTO - COATING

Esterno/interno con polvere epossidica di colore blu RAL 5015 e spessore 250µm.

External/internal FBE coating process with epoxy resin powder of blue colour RAL 5015 and thickness of 250µm.

DN	50	50	63	63	63	63	75	75	75	75	90	90	90	90	110	110
M	1"	1"1/4	1"	1"1/4	1"1/2	2"	1"	1"1/4	1"1/2	2"	1"	1"1/4	1"1/2	2"	1"	1"1/4
H	54	54	62	62	62	62	68	68	68	68	78	78	78	78	88	88
L	112	112	125	125	125	125	140	140	140	140	152	152	152	152	172	172
L1	90	90	99	99	99	99	108	108	108	108	109	109	109	109	122	122
Peso - Weight	1.7	1.7	2.0	2.0	2.0	2.0	2.7	2.7	2.7	2.7	3.0	3.0	3.0	3.0	3.8	3.8

DN	110	110	125	125	125	125	140	140	140	140	160	160	160	160	180
M	1"1/2	2"	1"	1"1/4	1"1/2	2"	1"	1"1/4	1"1/2	2"	1"	1"1/4	1"1/2	2"	1"
H	88	88	93	93	93	93	104	104	104	104	111	111	111	111	121
L	172	172	193	193	193	193	216	216	216	216	234	234	234	234	251
L1	122	122	120	120	120	120	153	153	153	153	154	154	154	154	152
Peso - Weight	3.8	3.8	4.7	4.7	4.7	4.7	6.0	6.0	6.0	6.0	7.0	7.0	7.0	7.0	11.5

DN	180	180	180	200	200	200	200	225	225	225	225	250	250	250	250
M	1"1/4	1"1/2	2"	1"	1"1/4	1"1/2	2"	1"	1"1/4	1"1/2	2"	1"	1"1/4	1"1/2	2"
H	121	121	121	132	132	132	132	143	143	143	143	155	155	155	155
L	251	251	251	284	284	284	284	303	303	303	303	321	321	321	321
L1	152	152	152	181	181	181	181	183	183	183	183	182	182	182	182
Peso - Weight	11.5	11.5	11.5	10.5	10.5	10.5	10.5	12.0	12.0	12.0	12.0	13.7	13.7	13.7	13.7