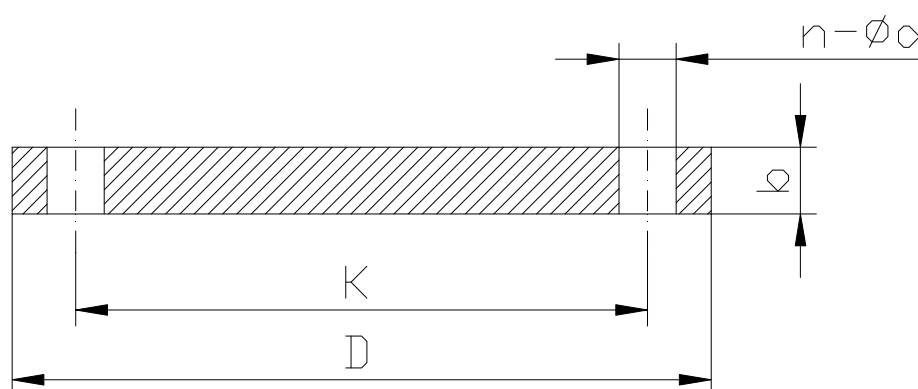




Art. 048026

FLANGIA CIECA, PN10

BLIND FLANGE, PN10

NORME PRODOTTO:
MATERIALI:EN 1092-1-5
Acciaio al carbonioPRODUCT STANDARDS:
MATERIALS:EN 1092-1-5
Carbon steel

| DN | K | D | n-ød | b | VITE SCREW | PESO kg WEIGHT |
|------|------|------|-------|----|---------------|-------------------|
| 15 | 65 | 95 | 4-14 | 16 | M12 | 0.8 |
| 20 | 75 | 105 | 4-14 | 18 | M12 | 1.1 |
| 25 | 85 | 115 | 4-14 | 18 | M12 | 1.4 |
| 32 | 100 | 140 | 4-18 | 18 | M16 | 2.0 |
| 40 | 110 | 150 | 4-18 | 18 | M16 | 2.3 |
| 50 | 125 | 165 | 4-18 | 18 | M16 | 2.9 |
| 65 | 145 | 185 | 8-18 | 18 | M16 | 3.5 |
| 80 | 160 | 200 | 8-18 | 20 | M16 | 4.6 |
| 100 | 180 | 220 | 8-18 | 20 | M16 | 5.6 |
| 125 | 210 | 250 | 8-18 | 22 | M16 | 8.1 |
| 150 | 240 | 285 | 8-22 | 22 | M20 | 10.5 |
| 200 | 295 | 340 | 8-22 | 24 | M20 | 16.5 |
| 250 | 350 | 395 | 12-22 | 26 | M20 | 24.1 |
| 300 | 400 | 445 | 12-22 | 26 | M20 | 30.8 |
| 350 | 460 | 505 | 16-22 | 26 | M20 | 39.6 |
| 400 | 515 | 565 | 16-26 | 26 | M24 | 49.4 |
| 450 | 565 | 615 | 20-26 | 28 | M24 | 63.0 |
| 500 | 620 | 670 | 20-26 | 28 | M24 | 75.2 |
| 600 | 725 | 780 | 20-30 | 34 | M27 | 124.0 |
| 700 | 840 | 895 | 24-30 | 38 | M27 | 183.0 |
| 800 | 950 | 1015 | 24-33 | 48 | M30 | 297.0 |
| 900 | 1050 | 1115 | 28-33 | 50 | M30 | 374.0 |
| 1000 | 1160 | 1230 | 28-36 | 54 | M33 | 492.0 |



Art. 048028

FLANGIA CIECA, PN16

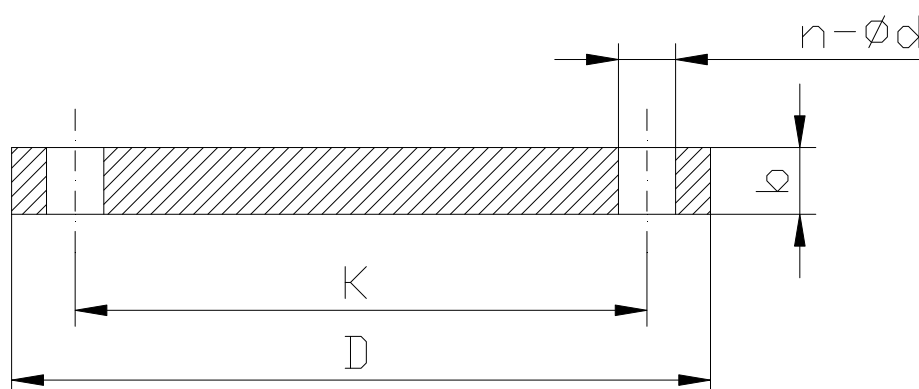
BLIND FLANGE, PN16

NORME PRODOTTO:
MATERIALI:

EN 1092-1-5
Acciaio al carbonio

PRODUCT STANDARDS:
MATERIALS:

EN 1092-1-5
Carbon steel



| DN | K | D | n-ød | b | VITE SCREW | PESO kg WEIGHT |
|------|------|------|-------|----|---------------|-------------------|
| 15 | 65 | 95 | 4-14 | 16 | M12 | 0.8 |
| 20 | 75 | 105 | 4-14 | 18 | M12 | 1.1 |
| 25 | 85 | 115 | 4-14 | 18 | M12 | 1.4 |
| 32 | 100 | 140 | 4-18 | 18 | M16 | 2.0 |
| 40 | 110 | 150 | 4-18 | 18 | M16 | 2.3 |
| 50 | 125 | 165 | 4-18 | 18 | M16 | 2.9 |
| 65 | 145 | 185 | 8-18 | 18 | M16 | 3.5 |
| 80 | 160 | 200 | 8-18 | 20 | M16 | 4.6 |
| 100 | 180 | 220 | 8-18 | 20 | M16 | 5.6 |
| 125 | 210 | 250 | 8-18 | 22 | M16 | 8.1 |
| 150 | 240 | 285 | 8-22 | 22 | M20 | 10.5 |
| 200 | 295 | 340 | 12-22 | 24 | M20 | 16.2 |
| 250 | 355 | 405 | 12-26 | 26 | M24 | 25.0 |
| 300 | 410 | 460 | 12-26 | 28 | M24 | 35.1 |
| 350 | 470 | 520 | 16-26 | 30 | M24 | 48.0 |
| 400 | 525 | 580 | 16-30 | 32 | M27 | 63.5 |
| 450 | 585 | 640 | 20-30 | 40 | M27 | 96.6 |
| 500 | 650 | 715 | 20-33 | 44 | M30 | 133.0 |
| 600 | 770 | 840 | 20-36 | 54 | M33 | 226.0 |
| 700 | 840 | 910 | 24-36 | 58 | M33 | 285.0 |
| 800 | 950 | 1025 | 24-39 | 62 | M36 | 388.0 |
| 900 | 1050 | 1125 | 28-39 | 64 | M36 | 483.0 |
| 1000 | 1170 | 1255 | 28-42 | 68 | M39 | 640.0 |



Art. 048030

FLANGIA CIECA, PN25

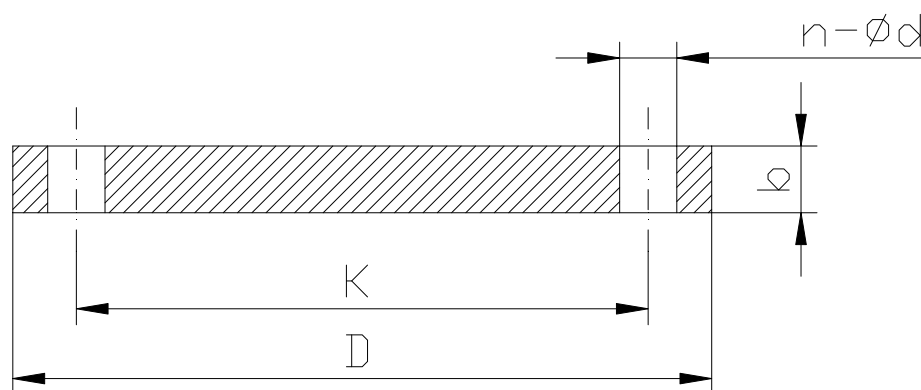
BLIND FLANGE, PN25

NORME PRODOTTO:
MATERIALI:

EN 1092-1-5
Acciaio al carbonio

PRODUCT STANDARDS:
MATERIALS:

EN 1092-1-5
Carbon steel



| DN | K | D | n-ød | b | VITE SCREW | PESO kg WEIGHT |
|-----|-----|-----|-------|----|------------|----------------|
| 15 | 65 | 95 | 4-14 | 16 | M12 | 0.8 |
| 20 | 75 | 105 | 4-14 | 18 | M12 | 1.1 |
| 25 | 85 | 115 | 4-14 | 18 | M12 | 1.4 |
| 32 | 100 | 140 | 4-18 | 18 | M16 | 2.0 |
| 40 | 110 | 150 | 4-18 | 18 | M16 | 2.3 |
| 50 | 125 | 165 | 4-18 | 20 | M16 | 3.2 |
| 65 | 145 | 185 | 8-18 | 22 | M16 | 4.3 |
| 80 | 160 | 200 | 8-18 | 24 | M16 | 5.5 |
| 100 | 190 | 235 | 8-22 | 24 | M20 | 7.6 |
| 125 | 220 | 270 | 8-26 | 26 | M24 | 10.8 |
| 150 | 250 | 300 | 8-26 | 28 | M24 | 14.6 |
| 200 | 310 | 360 | 12-26 | 30 | M24 | 22.5 |
| 250 | 370 | 425 | 12-30 | 32 | M27 | 33.5 |
| 300 | 430 | 485 | 16-30 | 34 | M27 | 46.3 |
| 350 | 490 | 555 | 16-33 | 38 | M30 | 68.1 |
| 400 | 550 | 620 | 16-36 | 40 | M33 | 89.7 |
| 450 | 600 | 670 | 20-36 | 50 | M33 | 130.0 |
| 500 | 660 | 730 | 20-36 | 51 | M33 | 159.0 |



Art. 048018

FLANGIA CIECA, PN40

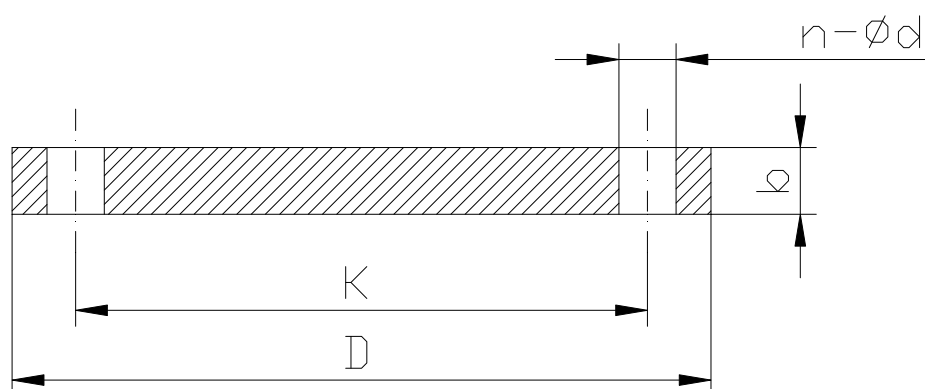
BLIND FLANGE, PN40

NORME PRODOTTO:
MATERIALI:

EN 1092-1-5
Acciaio al carbonio

PRODUCT STANDARDS:
MATERIALS:

EN 1092-1-5
Carbon steel



| DN | K | D | n-ød | b | VITE SCREW | PESO kg WEIGHT |
|-----|-----|-----|-------|----|------------|----------------|
| 15 | 65 | 95 | 4-14 | 16 | M12 | 0.8 |
| 20 | 75 | 105 | 4-14 | 18 | M12 | 1.1 |
| 25 | 85 | 115 | 4-14 | 18 | M12 | 1.4 |
| 32 | 100 | 140 | 4-18 | 18 | M16 | 2.0 |
| 40 | 110 | 150 | 4-18 | 18 | M16 | 2.3 |
| 50 | 125 | 165 | 4-18 | 20 | M16 | 3.2 |
| 65 | 145 | 185 | 8-18 | 22 | M16 | 4.3 |
| 80 | 160 | 200 | 8-18 | 24 | M16 | 5.5 |
| 100 | 190 | 235 | 8-22 | 24 | M20 | 7.6 |
| 125 | 220 | 270 | 8-26 | 26 | M24 | 10.8 |
| 150 | 250 | 300 | 8-26 | 28 | M24 | 14.6 |
| 200 | 320 | 375 | 12-30 | 36 | M27 | 28.8 |
| 250 | 385 | 450 | 12-33 | 38 | M30 | 44.4 |
| 300 | 450 | 515 | 16-33 | 42 | M30 | 64.2 |
| 350 | 510 | 580 | 16-36 | 46 | M33 | 89.5 |
| 400 | 585 | 660 | 16-39 | 50 | M36 | 127.0 |
| 450 | 610 | 685 | 20-39 | 57 | M36 | 154.0 |
| 500 | 670 | 755 | 20-42 | 57 | M39 | 188.0 |