



Art. 048026

FLANGIA CIECA, PN10

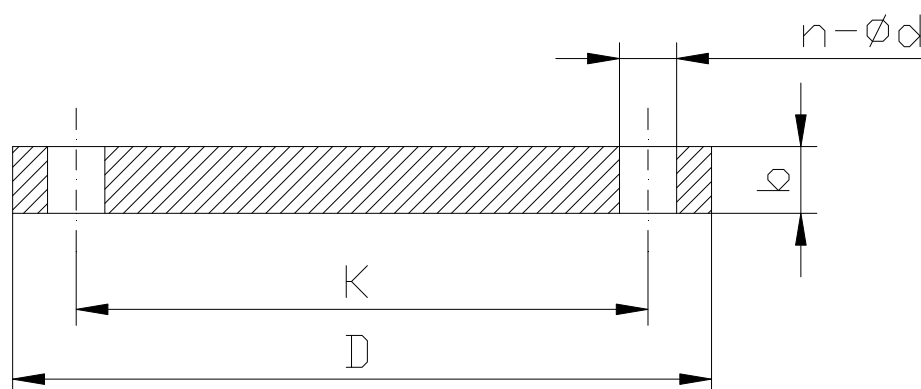
BLIND FLANGE, PN10

NORME PRODOTTO:
MATERIALI:

UNI 6092
Acciaio al carbonio

PRODUCT STANDARDS:
MATERIALS:

UNI 6092
Carbon steel



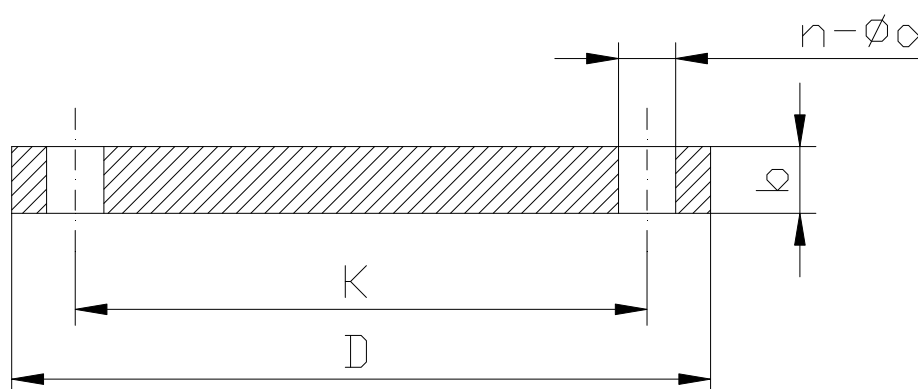
DN	K	D	n-ød	b	VITE SCREW	PESO kg WEIGHT
15	65	95	4-14	14	M12	0.7
20	75	105	4-14	16	M12	1.0
25	85	115	4-14	16	M12	1.2
32	100	140	4-18	16	M16	1.8
40	110	150	4-18	16	M16	2.1
50	125	165	4-18	18	M16	2.9
65	145	185	4-18	18	M16	3.6
80	160	200	4-18	20	M16	4.6
100	180	220	8-18	20	M16	5.6
125	210	250	8-18	22	M16	8.1
150	240	285	8-22	22	M20	10.5
200	295	340	8-22	24	M20	16.5
250	350	395	12-22	26	M20	24.1
300	400	445	12-22	26	M20	30.8
350	460	505	16-22	26	M20	39.6
400	515	565	16-25	26	M22	49.6
450	565	615	20-25	26	M22	58.6
500	620	670	20-25	28	M22	75.3
600	725	780	20-30	28	M27	106.0
700	840	895	24-30	30	M27	148.0
800	950	1015	24-33	32	M30	203.0
900	1050	1115	28-33	32	M30	248.0
1000	1160	1230	28-36	34	M33	320.0



Art. 048028

FLANGIA CIECA, PN16

BLIND FLANGE, PN16

NORME PRODOTTO:
MATERIALI:UNI 6093
Acciaio al carbonioPRODUCT STANDARDS:
MATERIALS:UNI 6093
Carbon steel

DN	K	D	n-ød	b	VITE SCREW	PESO kg WEIGHT
15	65	95	4-14	14	M12	0.7
20	75	105	4-14	16	M12	1.0
25	85	115	4-14	16	M12	1.2
32	100	140	4-18	16	M16	1.8
40	110	150	4-18	16	M16	2.1
50	125	165	4-18	18	M16	2.9
65	145	185	4-18	18	M16	3.6
80	160	200	8-18	20	M16	4.6
100	180	220	8-18	20	M16	5.6
125	210	250	8-18	22	M16	8.1
150	240	285	8-22	22	M20	10.5
200	295	340	12-22	24	M20	16.2
250	355	405	12-25	26	M22	25.1
300	410	460	12-25	28	M22	35.2
350	470	520	16-25	30	M22	48.2
400	525	580	16-30	32	M27	63.5
450	585	640	20-30	32	M27	77.2
500	650	715	20-33	34	M30	102.0
600	770	840	20-36	36	M33	143.0
700	840	910	24-36	38	M33	177.0
800	950	1025	24-39	38	M36x3	227.0
900	1050	1125	28-39	40	M36x3	286.0
1000	1170	1255	28-42	42	M39x3	416.0



Art. 048030

FLANGIA CIECA, PN25

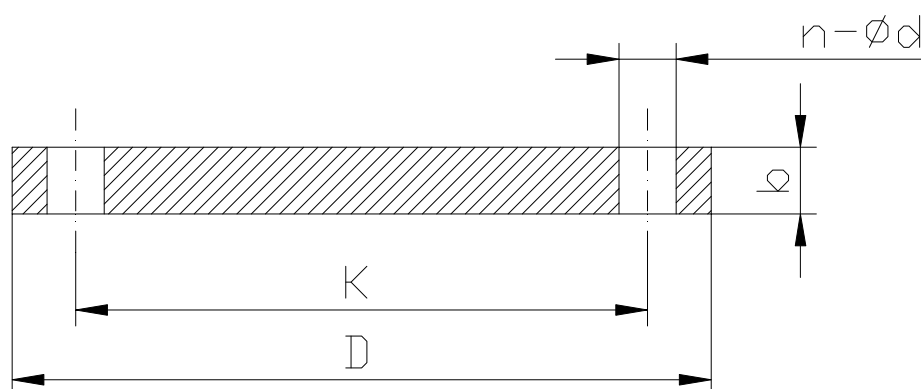
BLIND FLANGE, PN25

NORME PRODOTTO:
MATERIALI:

UNI 6094
Acciaio al carbonio

PRODUCT STANDARDS:
MATERIALS:

UNI 6094
Carbon steel



DN	K	D	n-ød	b	VITE SCREW	PESO kg WEIGHT
15	65	95	4-14	16	M12	0.8
20	75	105	4-14	18	M12	1.1
25	85	115	4-14	18	M12	1.4
32	100	140	4-18	18	M16	2.0
40	110	150	4-18	18	M16	2.3
50	125	165	4-18	20	M16	3.2
65	145	185	8-18	22	M16	4.3
80	160	200	8-18	24	M16	5.5
100	190	235	8-22	24	M20	7.6
125	220	270	8-25	26	M22	10.8
150	250	300	8-25	28	M22	14.7
200	310	360	12-25	30	M22	22.6
250	370	425	12-30	32	M27	33.5
300	430	485	16-30	34	M27	46.3
350	490	555	16-33	38	M30	68.1
400	550	620	16-36	40	M33	89.7
450	600	670	20-36	42	M33	109.0
500	660	730	20-36	44	M33	137.0



Art. 048018

FLANGIA CIECA, PN40

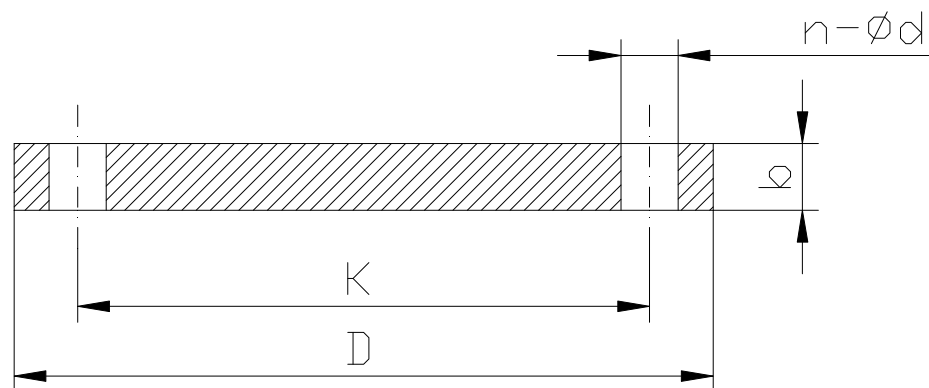
BLIND FLANGE, PN40

NORME PRODOTTO:
MATERIALI:

UNI 6095
Acciaio al carbonio

PRODUCT STANDARDS:
MATERIALS:

UNI 6095
Carbon steel



DN	K	D	n-ød	b	VITE SCREW	PESO kg WEIGHT
15	65	95	4-14	16	M12	0.8
20	75	105	4-14	18	M12	1.1
25	85	115	4-14	18	M12	1.4
32	100	140	4-18	18	M16	2.0
40	110	150	4-18	18	M16	2.3
50	125	165	4-18	20	M16	3.2
65	145	185	8-18	22	M16	4.3
80	160	200	8-18	24	M16	5.5
100	190	235	8-22	24	M20	7.6
125	220	270	8-25	26	M22	10.8
150	250	300	8-25	28	M22	14.7
200	320	375	12-30	34	M27	27.2
250	385	450	12-33	38	M30	44.4
300	450	515	16-33	42	M30	64.2
350	510	580	16-36	46	M33	89.5
400	585	660	16-39	50	M36x3	127.0
450	610	685	20-39	52	M36x3	141.0
500	670	755	20-42	52	M39x3	172.0