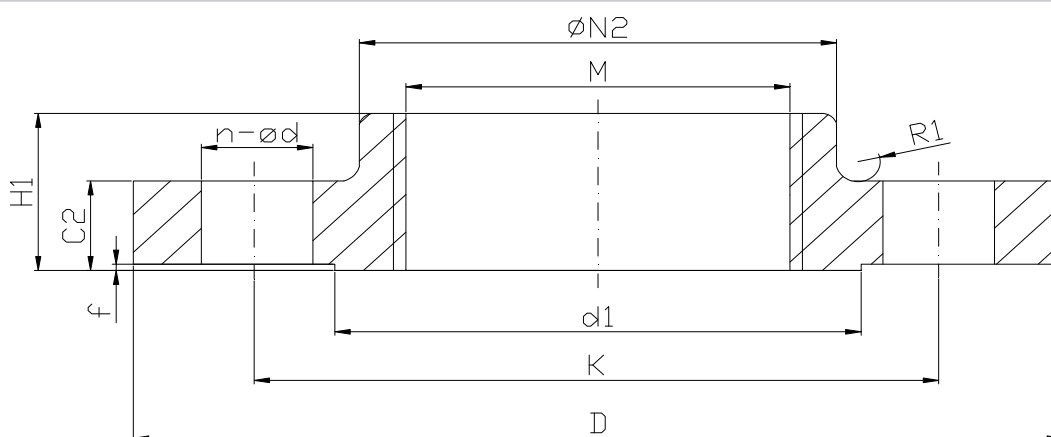


FLANGIA PIANA FILETTATA PN16

HUBBED THREADED FLANGE PN16

NORME PRODOTTO: EN 1092-1-13
MATERIALI: Acciaio al carbonio

PRODUCT STANDARDS: EN 1092-1-13
MATERIALS: Carbon steel



DN	M	K	D	d1	f	øN2	n - ød	C2	H1	R1	VITE SCREW	PESO kg WEIGHT
15	1/2"	65	95	45	2	35	4 - 14	16	22	4	M12	0.7
20	3/4"	75	105	58	2	45	4 - 14	18	26	4	M12	1.0
25	1"	85	115	68	2	52	4 - 14	18	28	4	M12	1.2
32	1 1/4"	100	140	78	2	60	4 - 18	18	30	6	M16	1.75
40	1 1/2"	110	150	88	3	70	4 - 18	18	32	6	M16	2.0
50	2"	125	165	102	3	84	4 - 18	18	28	6	M16	2.85
65	2 1/2"	145	185	122	3	104	*8 - 18	18	32	6	M16	3.5
80	3"	160	200	138	3	118	8 - 18	20	34	6	M16	4.2
100	4"	180	220	158	3	140	8 - 18	20	40	8	M16	5.3
125	5"	210	250	188	3	168	8 - 18	22	44	8	M16	8.0
150	6"	240	285	212	3	195	8 - 22	22	44	10	M20	8.5

*Su richiesta 4 fori. 4 holes available on request.