

M3120 • PRESSURE REDUCING AND SUSTAINING CONTROL VALVE



OPERATING PRINCIPLE

This valve reduces and stabilizes the downstream pressure at a preset value independently of the flow rate and upstream pressure variations or maintains a minimum inlet pressure.

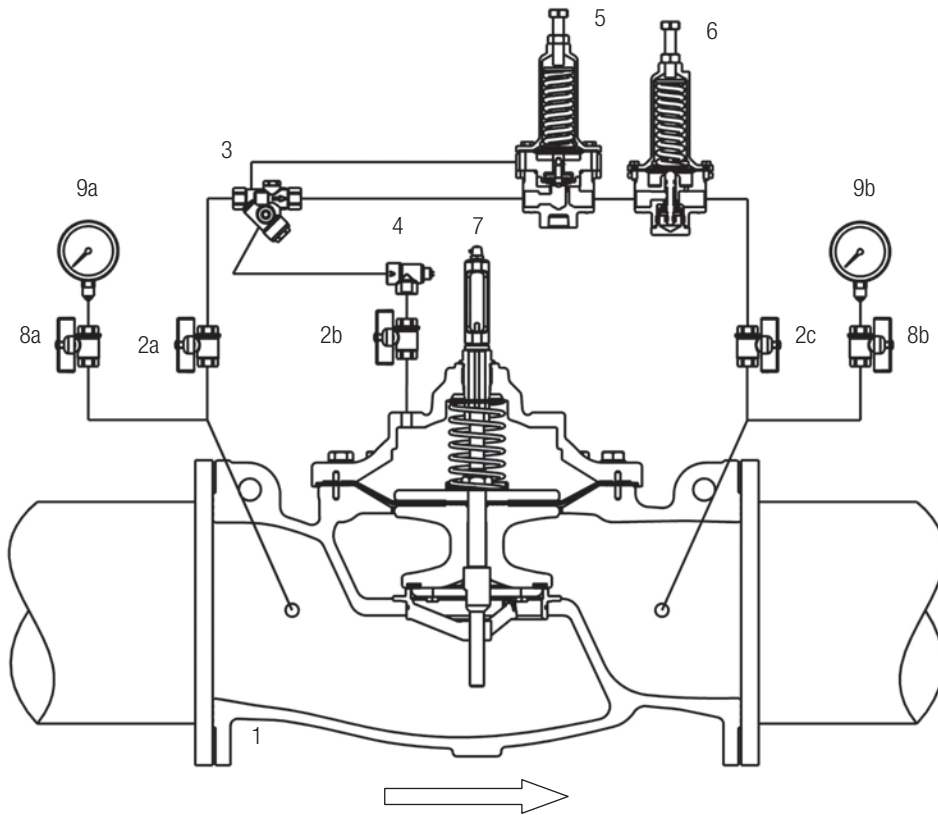
This type of valve is widely used in main water supply and distribution systems.

The purpose of this valve is to ensure an outlet reduced and stabilized pressure or to ensure a minimum inlet pressure

ADDITIONAL FUNCTIONS

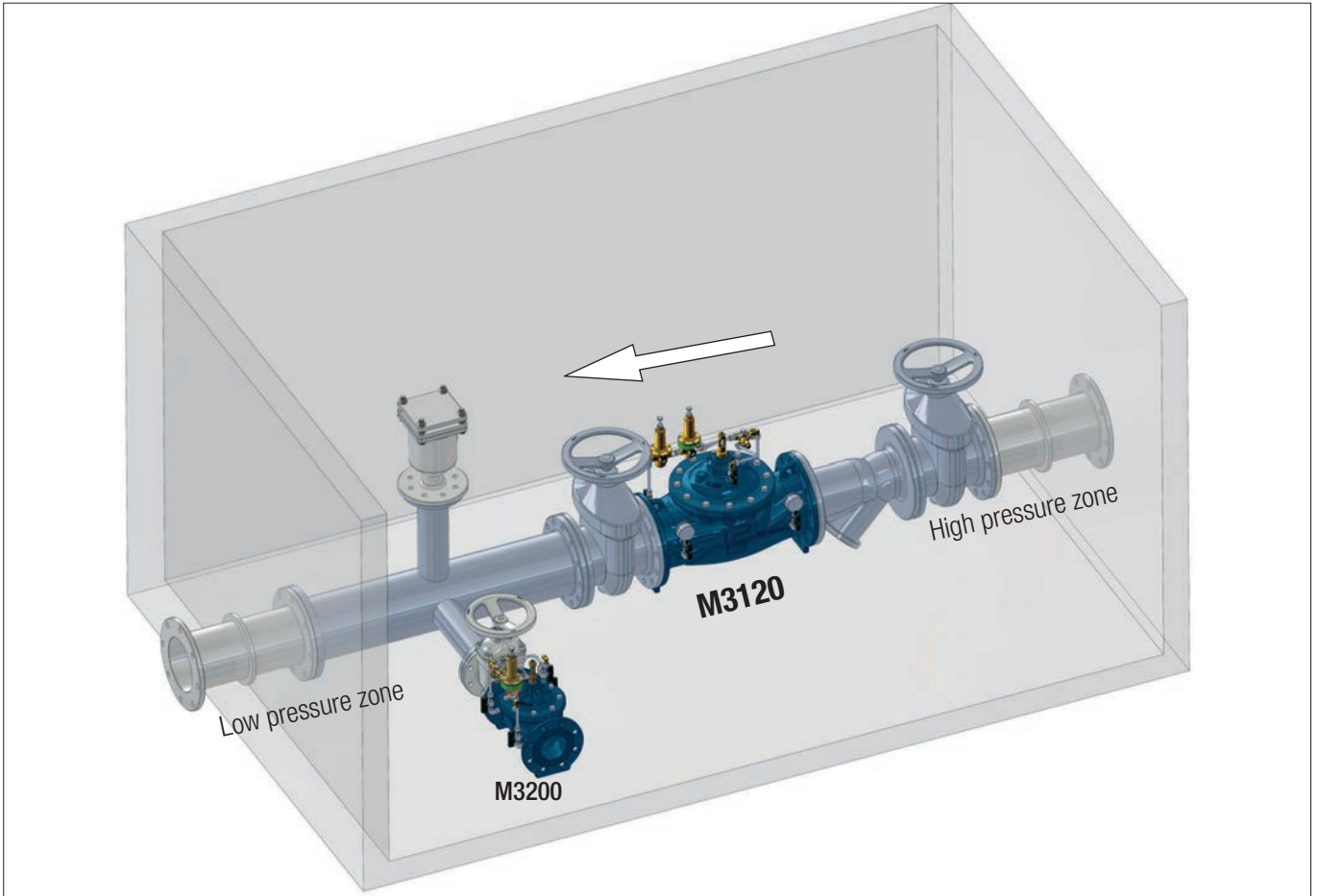
- shut-off remote electrical control;
- non-return;
- reverse opening device;
- two adjustable reduction values both with electrical remote control and with fully manual hydraulic system;
- flow rate control;
- minimum-maximum level control with float pilot and dissipation orifice.

CIRCUIT AND MATERIALS



ITEM	DESCRIPTION	MATERIALS
1	Main valve	GJS400-15 EN1563
2 (a,b,c)	Isolating ball valve	Ni-plated Brass
3	Y - strainer with calibrated orifice	1.4401 EN10088-3 + Brass
4	Monodirectional needle valve	1.4401 EN10088-3 + Brass
5	Pressure relief / sustaining pilot CM200	1.4401 EN10088-3 + Brass
6	Pressure reducing pilot CV100	1.4401 EN10088-3 + Brass
7	Position indicator with manual venting cock	Brass + Hardened glass
8 (a,b)	Gauge holder with drainage	Ni-plated Brass
9 (a,b)	Pressure gauge	1.4301 EN10088-3 + Glycerine
--	Pipe	1.4401 EN10088-3
--	Fittings	1.4401 EN10088-3
--	Compression fittings	1.4401 EN10088-3 + Brass

TYPICAL INSTALLATION



TYPICAL APPLICATION

