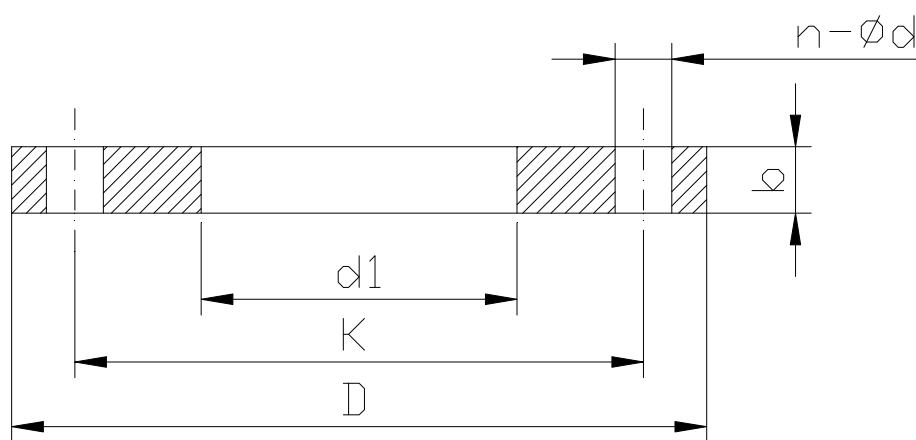




Art. 048004

FLANGIA PIANA A SALDARE, PN10

PLATE FLANGE FOR WELDING, PN10

NORME PRODOTTO:
MATERIALI:UNI 2277
Acciaio al carbonioPRODUCT STANDARDS:
MATERIALS:UNI 2277
Carbon steel

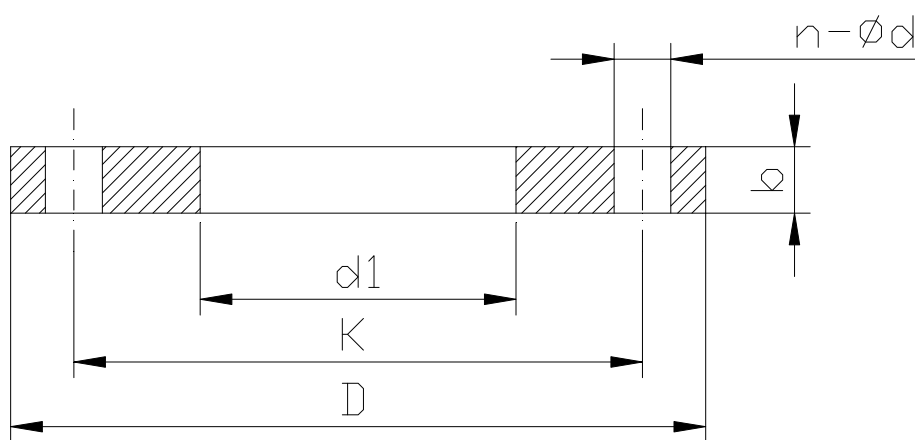
DN	d1	K	D	n-ød	b	VITE SCREW	PESO kg WEIGHT
15	22.0	65	95	4-14	12	M12	0.7
20	27.5	75	105	4-14	14	M12	0.8
25	34.0	85	115	4-14	14	M12	1.0
32	43.0	100	140	4-18	16	M16	1.6
40	49.0	110	150	4-18	16	M16	1.8
50	61.5	125	165	4-18	18	M16	2.5
65	77.0	145	185	4-18	18	M16	3.0
80	90.0	160	200	4-18	20	M16	3.6
100	115.5	180	220	8-18	22	M16	4.4
125	141.0	210	250	8-18	24	M16	5.9
150	170.0	240	285	8-22	24	M20	7.2
200	221.0	295	340	8-22	26	M20	10.1
250	275.0	350	395	12-22	28	M20	12.9
300	326.0	400	445	12-22	28	M20	14.8
350	358.0	460	505	16-22	30	M20	22.0
400	409.0	515	565	16-25	32	M22	28.0
450	460.2	565	615	20-25	32	M22	33.3
500	511.0	620	670	20-25	34	M22	40.3
600	612.6	725	780	20-30	36	M27	53.0
700	714.2	840	895	24-30	38	M27	65.0
800	815.8	950	1015	24-33	40	M30	88.0
900	917.4	1050	1115	28-33	42	M30	100.0
1000	1019.0	1160	1230	28-36	44	M33	128.0



Art. 048006

FLANGIA PIANA A SALDARE, PN16

PLATE FLANGE FOR WELDING, PN16

NORME PRODOTTO:
MATERIALI:UNI 2278
Acciaio al carbonioPRODUCT STANDARDS:
MATERIALS:UNI 2278
Carbon steel

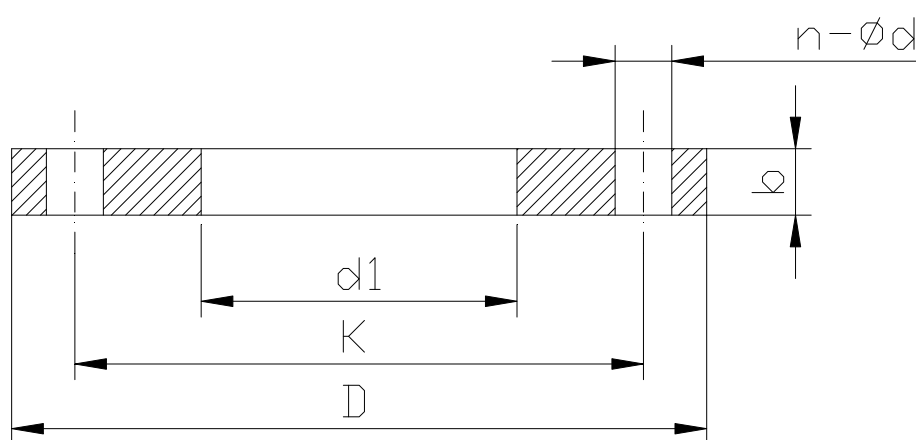
DN	d1	K	D	n-ød	b	VITE SCREW	PESO kg WEIGHT
15	22.0	65	95	4-14	12	M12	0.7
20	27.5	75	105	4-14	14	M12	0.8
25	34.0	85	115	4-14	14	M12	1.0
32	43.0	100	140	4-18	16	M16	1.6
40	49.0	110	150	4-18	16	M16	1.8
50	61.5	125	165	4-18	18	M16	2.5
65	77.0	145	185	4-18	18	M16	3.0
80	90.0	160	200	8-18	20	M16	3.6
100	115.5	180	220	8-18	22	M16	4.4
125	141.0	210	250	8-18	24	M16	5.9
150	170.0	240	285	8-22	24	M20	7.2
200	221.0	295	340	12-22	26	M20	9.8
250	275.0	355	405	12-25	32	M22	16.0
300	326.0	410	460	12-25	32	M22	19.3
350	358.0	470	520	16-25	36	M22	29.4
400	409.0	525	580	16-30	38	M27	36.5
450	460.2	585	640	20-30	40	M27	42.0
500	511.0	650	715	20-33	42	M30	51.0
600	612.6	770	840	20-36	44	M33	70.0
700	714.2	840	910	24-36	46	M33	88.0
800	815.8	950	1025	24-39	48	M36x3	115.0
900	917.4	1050	1125	28-39	50	M36x3	125.0
1000	1019.0	1170	1255	28-42	50	M39x3	160.0



Art. 048050

FLANGIA PIANA A SALDARE, PN25

PLATE FLANGE FOR WELDING, PN25

NORME PRODOTTO:
MATERIALI:UNI 6083
Acciaio al carbonioPRODUCT STANDARDS:
MATERIALS:UNI 6083
Carbon steel

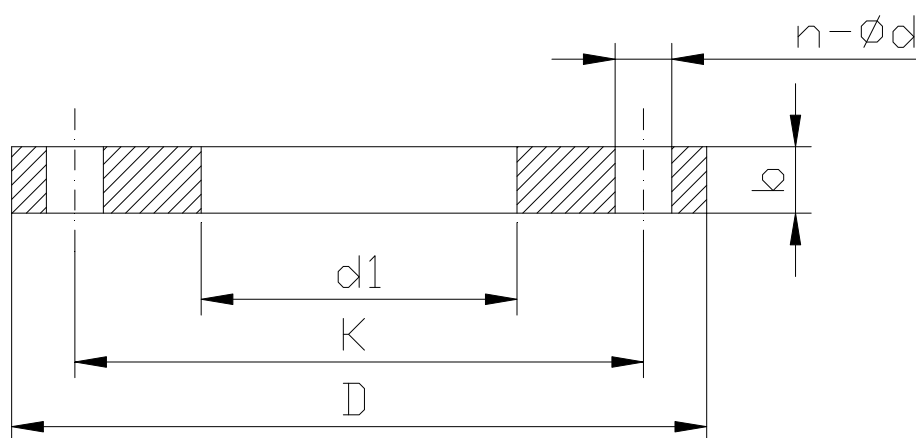
DN	d1	K	D	n-ød	b	VITE SCREW	PESO kg WEIGHT
15	22.0	65	95	4-14	14	M12	0.7
20	27.5	75	105	4-14	16	M12	0.9
25	34.0	85	115	4-14	16	M12	1.1
32	43.0	100	140	4-18	18	M16	1.8
40	49.0	110	150	4-18	18	M16	2.1
50	61.5	125	165	4-18	20	M16	2.7
65	77.0	145	185	8-18	24	M16	3.8
80	90.0	160	200	8-18	26	M16	4.7
100	115.5	190	235	8-22	26	M20	6.1
125	141.0	220	270	8-25	28	M22	8.2
150	170.0	250	300	8-25	30	M22	10.3
200	221.0	310	360	12-25	32	M22	14.3
250	275.0	370	425	12-30	36	M27	20.9
300	326.0	430	485	16-30	40	M27	28.3
350	358.0	490	555	16-33	44	M30	44.1
400	409.0	550	620	16-36	48	M33	58.1
450	460.0	600	670	20-36	50	M33	64.7
500	511.0	660	730	20-36	52	M33	78.3
600	612.6	770	845	20-39	54	M36x3	102.0



Art. 048000

FLANGIA PIANA A SALDARE, PN40

PLATE FLANGE FOR WELDING, PN40

NORME PRODOTTO:
MATERIALI:UNI 6084
Acciaio al carbonioPRODUCT STANDARDS:
MATERIALS:UNI 6084
Carbon steel

DN	d1	K	D	n-ød	b	VITE SCREW	PESO kg WEIGHT
15	22.0	65	95	4-14	14	M12	0.7
20	27.5	75	105	4-14	16	M12	0.9
25	34.0	85	115	4-14	16	M12	1.1
32	43.0	100	140	4-18	18	M16	1.8
40	49.0	110	150	4-18	18	M16	2.1
50	61.5	125	165	4-18	20	M16	2.7
65	77.0	145	185	8-18	24	M16	3.8
80	90.0	160	200	8-18	26	M16	4.7
100	115.5	190	235	8-22	26	M20	6.1
125	141.0	220	270	8-25	28	M22	8.2
150	170.0	250	300	8-25	30	M22	10.3
200	221.0	320	375	12-30	36	M27	18.0
250	275.0	385	450	12-33	44	M30	30.9
300	326.0	450	515	16-33	48	M30	41.9
350	358.0	510	580	16-36	54	M33	62.4
400	409.0	585	660	16-39	60	M36x3	90.3
450	460.2	610	685	20-39	66	M36x3	91.9
500	511.0	670	755	20-42	68	M39x3	114.0
600	612.6	795	890	20-48	70	M45x3	159.0