

# RESILIENT SEATED GATE VALVE

## S14 (SHORT BODY) - S15 (LONG BODY) • PN10 - PN16

### DESIGN FEATURES

- According to EN 1171, EN 1074-1 and EN 1074-2;
- Face to face dimension according to EN 558 series 14 and series 15;
- Body, bonnet and wedge made of ductile iron EN GJS 500-7 according to EN 1563;
- Wedge coating made of vulcanized EPDM rubber according to EN 681-1 WA;
- Gasket and o-rings made of EPDM rubber according to EN 681-1 WA;
- Flange dimensions according to EN 1092-2;
- Body and bonnet connection made of 8.8 grade galvanized steel screws fully protected against corrosion;
- Shaft made of stainless steel EN 1.4021 (AISI 420);
- All materials, including lubricants, in contact with water approved for human consumption according to EN 1074-1 and EN 1074-2;
- Internal and external surface protection made of epoxy resin powder (FBE), blue colour RAL 5015 and thickness of 250µm;
- Hydraulic test according to EN 12266-1;
- Working temperature Min. -10°C (excluded frost) Max. + 70°C.

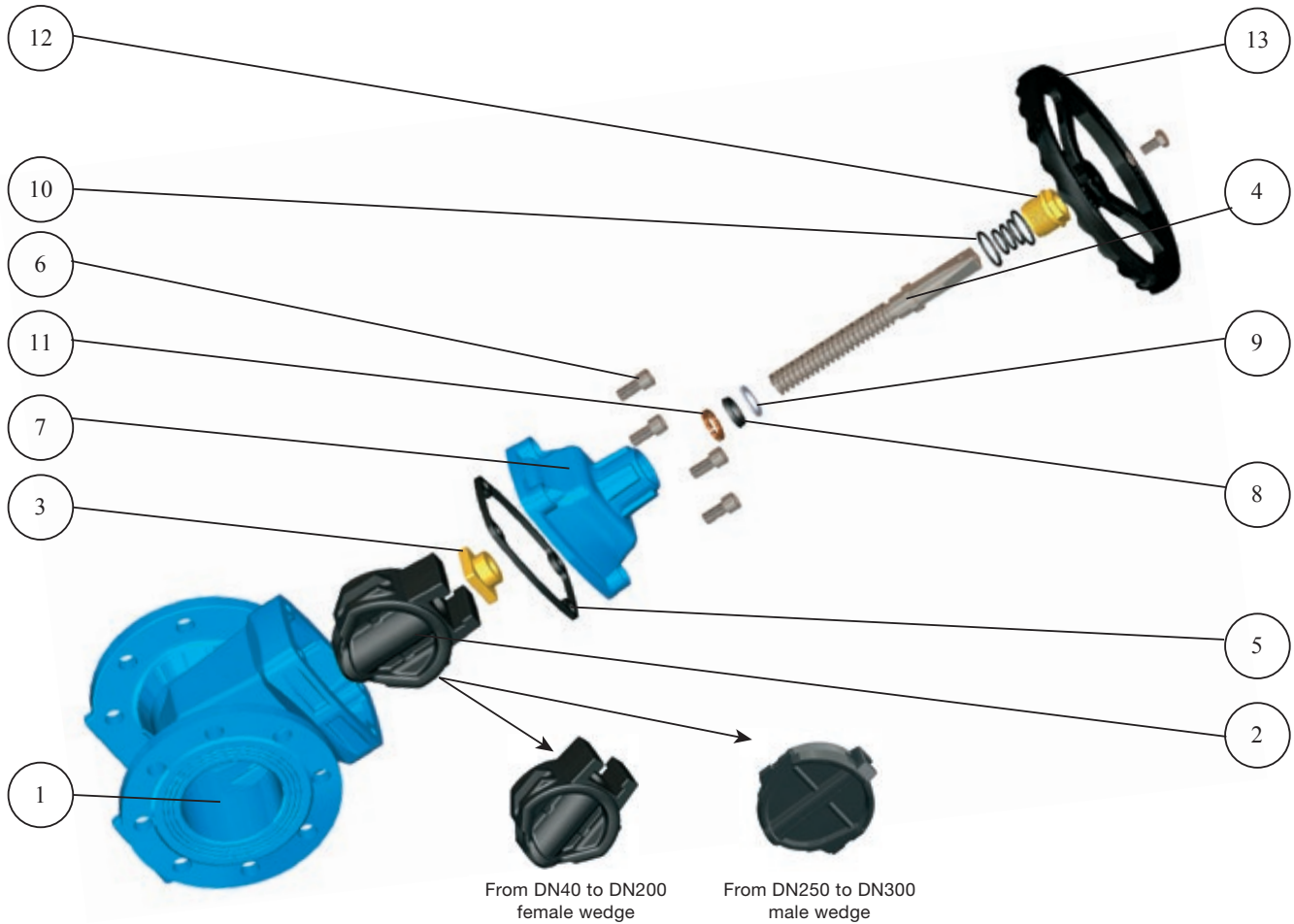
### HIGH CORROSION-RESISTANT MATERIALS

Upon request, some parts can be produced with high corrosion-resistant materials, such as:

- Shaft made of stainless steel 1.4301 EN 10088-3 (AISI 304) or 1.4401 EN 10088-3 (AISI 316);
- Screws made of stainless steel A2-70 EN ISO 3506-1 or A4-70 EN ISO 3506-1

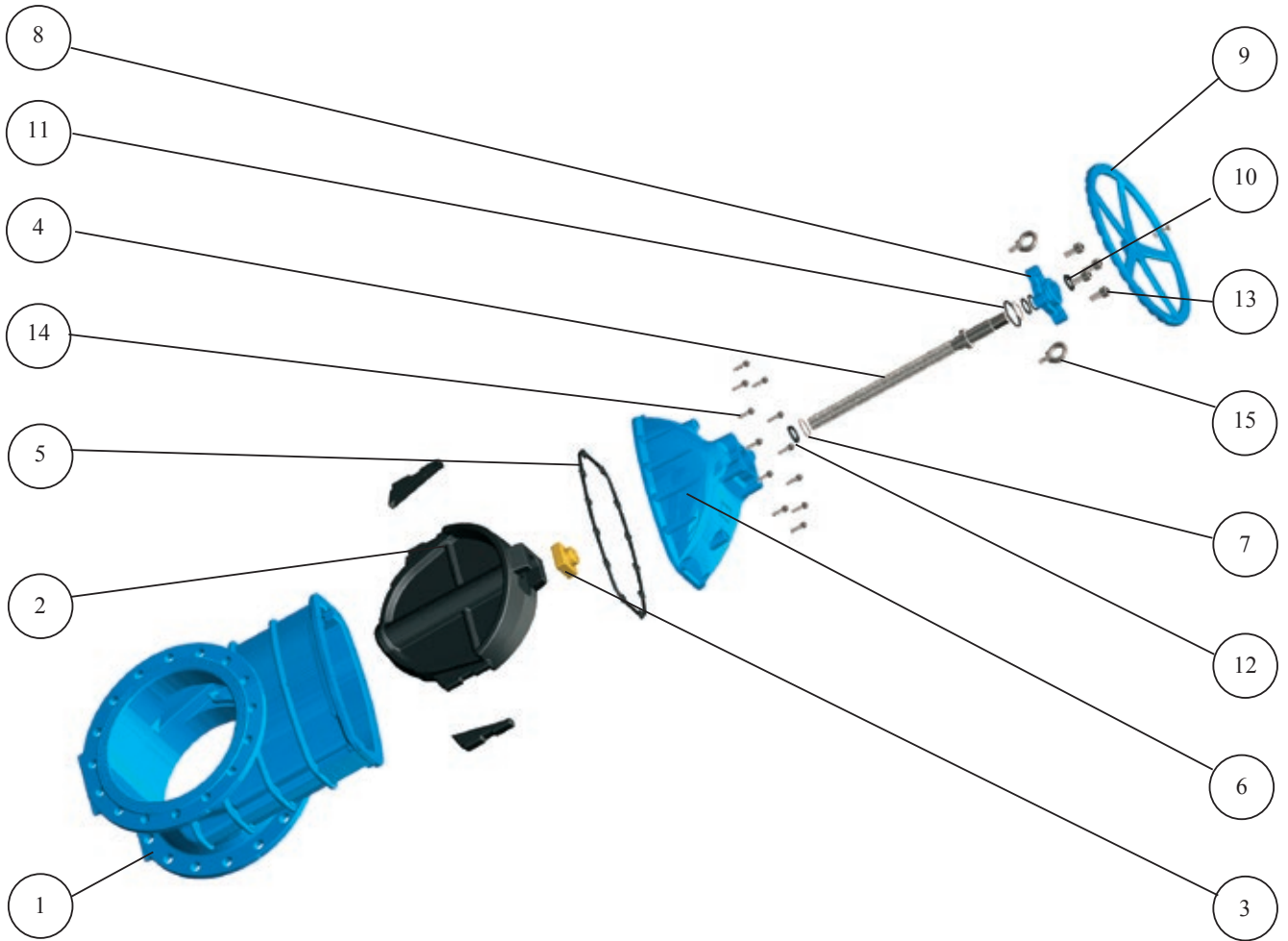


COMPONENTS AND MATERIALS FROM DN40 TO DN300



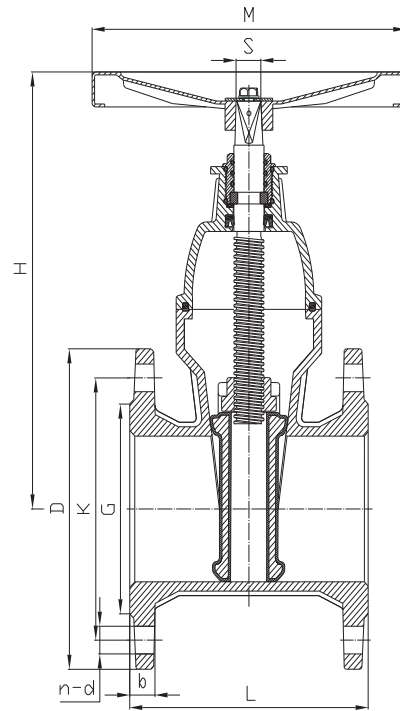
ITEM	COMPONENT	MATERIAL	NOTE
1	Body	Ductile iron EN GJS 500-7	Epoxy coating 250 µm
2	Wedge	Ductile iron EN GJS 500-7 EPDM coated	Low friction guides
3	Stem nut	Aluminum bronze	
4	Shaft	Stainless steel AISI 420 (EN 1.4021)	
5	Main gasket	EPDM rubber	
6	Bolts	8.8 Galvanized steel	
7	Bonnet	Ductile iron EN GJS 500-7	Epoxy coating 250 µm
8	Lip seal	EPDM rubber	
9	Washer	POM	
10	O-Ring	EPDM rubber	
11	Anti-blowout ring	Aluminum bronze	
12	Packing gland	Aluminum bronze	
13	Hand wheel	Carbon steel	Epoxy coating
-	Eye bolt	Galvanized steel	DN300 and above

### COMPONENTS AND MATERIALS FROM DN350 TO DN600



ITEM	COMPONENT	MATERIAL	NOTE
1	Body	Ductile iron EN GJS 500-7	Epoxy coating 250 µm
2	Wedge	Ductile iron EN GJS 500-7 EPDM coated	Low friction guides
3	Stem nut	Aluminum bronze	
4	Shaft	Stainless steel AISI 420 (EN 1.4021)	
5	Main gasket	EPDM rubber	
6	Bonnet	Ductile iron EN GJS 500-7	Epoxy coating 250 µm
7	Washer	Aluminum bronze or inox	
8	Cover	Ductile iron EN GJS 500-7	Epoxy coating 250 µm
9	Hand wheel	Ductile iron EN GJS 500-7	Epoxy coating
10	Dust proof	EPDM rubber	
11	O-ring	EPDM rubber	
12	Lip seal	EPDM rubber	
13	Screw	Galvanized steel 8.8	
14	Screw	Galvanized steel 8.8	
15	Eye bolt	Galvanized steel	

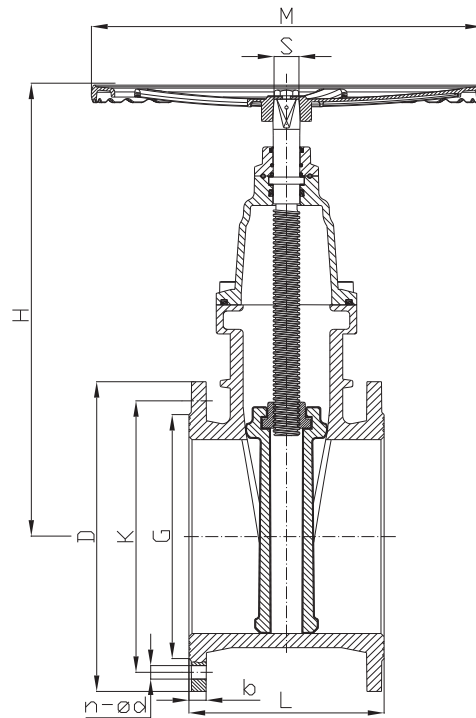
DIMENSIONS AND WEIGHTS (FROM DN40 TO DN300)



DN	G	K		D		L		H	n-ød		b	M	S	W (kg)	
		PN10	PN16	PN10	PN16	S14	S15		PN10	PN16				S14	S15
40	84	110	110	150	150	140	240	260	4-19	4-19	19	200	14	7.8	8.6
50	99	125	125	165	165	150	250	270	4-19	4-19	19	200	14	8.7	10.0
65	118	145	145	185	185	170	270	310	4-19	4-19	19	200	17	12.3	13.5
80	132	160	160	200	200	180	280	325	8*-19	8-19	19	200	17	13.5	15.6
100	156	180	180	220	220	190	300	365	8-19	8-19	19	250	19	18.7	22.0
125	184	210	210	250	250	200	325	400	8-19	8-19	19	250	19	21.3	27.0
150	211	240	240	285	285	210	350	460	8-23	8-23	19	350	19	30.0	34.0
200	266	295	295	340	340	230	400	560	8-23	12-23	20	350	24	49.0	60.0
250	319	350	355	395	405	250	450	650	12-23	12-28	22	500	27	75.0	97.0
300	370	400	410	445	460	270	500	740	12-23	12-28	24.5	500	27	107	130

\* Available also with 4 holes

## DIMENSIONS AND WEIGHTS (FROM DN350 TO DN1000)



DN	G		K		D		L		H	n-ød		b		M	S	(kg) S14		(kg) S15	
	PN10	PN16	PN10	PN16	PN10	PN16	S14	S15		PN10	PN16	PN10	PN16			PN10	PN16	PN10	PN16
350	429	429	460	470	505	520	290	550	810	16-23	16-28	24.5	26.5	500	27	167	171	189	193
400	480	480	515	525	565	580	310	600	900	16-28	16-31	24.5	28	640	32	216	221	244	249
450	530	548	565	585	615	640	330	650	985	20-28	20-31	25.5	30	800	32	313	322	365	375
500	582	609	620	650	670	715	350	700	1065	20-28	20-34	26.5	31.5	800	36	372	391	435	454
600	682	720	725	770	780	840	390	800	1265	20-31	20-37	30	36	800	41	625	657	721	753
*700	794	794	840	840	910	910	430	900	1390	24-31	24-37	39.5	39.5	460	-	980	980	960	960
*800	901	901	950	950	1025	1025	470	1000	1570	24-34	24-41	43.0	43.0	460	-	1280	1280	1320	1320
*900	1001	1001	1050	1050	1125	1125	510	1100	1750	28-34	28-41	46.5	46.5	550	-	1650	1650	2000	2000
*1000	1112	1112	1160	1170	1255	1255	550	1200	1950	28-37	28-44	50.0	50,	550	-	2350	2350	3600	3600

\*Manual gearbox version