



PN10 - Art. 054006

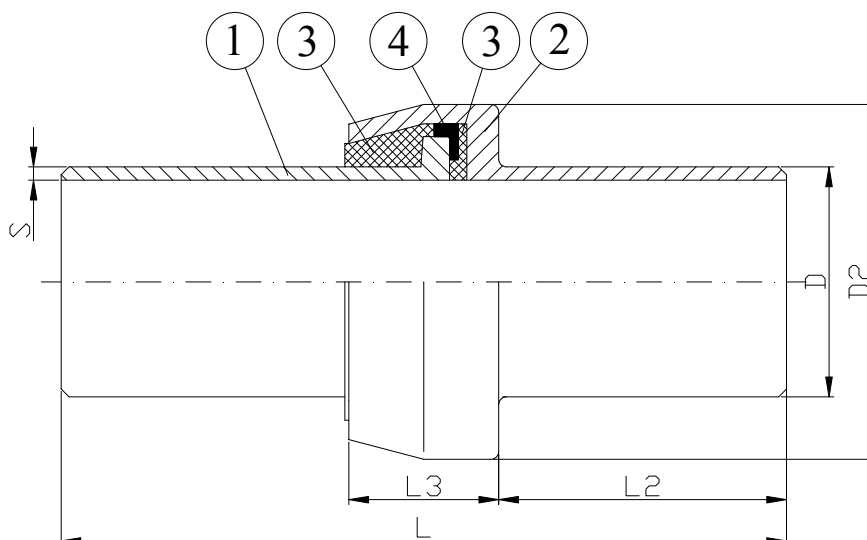
PN25 - Art. 054012

**GIUNTO ISOLANTE SALDARE/SALDARE**  
**INSULATING JOINT WELDING/WELDING**
**APPLICAZIONE:**

Gas ed acqua (PN 25 per condotta)

**APPLICATION:**

Gas and water

**NORME PRODOTTO:** UNI - CIG 10284 (per PN10)  
 UNI - CIG 10285 (per PN25)
**TEMPERATURA DI ESERCIZIO:** da -15 a + 70°C**TENSIONE DI ISOLAMENTO IN ARIA:** 3Kv**RESISTENZA DI ISOLAMENTO IN ARIA:** 5MΩ**VERNICE EPOSSIFENOLICA**
**PRODUCT STANDARDS:** UNI - CIG 10284 (for PN10)  
 UNI - CIG 10285 (for PN25)
**WORKING TEMPERATURE:** from -15 to + 70°C**DIELECTRIC RESISTANCE IN DRY AIR:** 3Kv**ELECTRICAL ISULATION RESISTENCE IN DRY AIR:** 5MΩ**EPOXYPHENOLIC PAINTING**

DN	D		D2		L		L2		L3		S	
	PN 10	PN 25	PN 10	PN 25	PN 10	PN 25	PN 10	PN 25	PN 10	PN 25	PN 10	PN 25
20	26.7	26.7	53	55	225	230	96	96	32	38	3.25	3.25
25	33.4	33.4	60	63	245	250	105	105	35	42	3.38	3.38
32	42.2	42.2	71	74	270	280	117	117	36	46	3.56	3.56
40	48.3	48.3	77	80	280	290	121	121	37	48	3.68	3.68
50	60.3	60.3	90	95	290	300	126	126	38	50	3.91	3.91
65	76.1	76.1	113	114	330	330	137	139	53	52	5.0	5.0
80	88.9	88.9	127	127	400	400	172	172	56	56	5.49	5.49
100		114.3		153		400		168		64		6.02
125		141.3		192		500		213		74		4.78
150		168.3		219		500		210		80		4.78
200		219.1		273		500		205		90		6.35
250		273.0		340		700		290		120		6.35
300		323.9		398		700		283		134		6.35

	DENOMINAZIONE PART	MATERIALI MATERIALS
1	TRONCHETTO HOT FORGED SPIGOT	API 5L Gr.B API 5L Gr.B
2	BICCHIERE HOT FORGED SOCKET	ACCIAIO ASTM-A105 STEEL ASTM-A105
3	GUARNIZIONE GASKET	HYTREL(PN10)/NBR(PN25) HYTREL(PN10)/NBR(PN25)
4	DISTANZIATORE SPACER	POLICARBONATO POLYCARBONATE