



Art. 038021 TIS1

COLLARE DI PRESA IN CARICO CON PERFORATORE, PE100, SDR 11
TAPPING TEES, PE 100, SDR 11

APPLICAZIONE:

Impianti di acquedottistica, di convogliamento gas combustibili, di fognature civili ed industriali, di irrigazione etc...

APPLICATION:

Water pipeline systems, for gas, civil and industrial sewerage, irrigation etc...

CARATTERISTICHE PRINCIPALI - MAIN FEATURES

NORME PRODOTTO:	UNI EN 1555-3 UNI EN 12201-3	PRODUCT STANDARS:	UNI EN 1555-3 UNI EN 12201-3
TEMPERATURA DI ESERCIZIO:	Max. +60°C	WORKING TEMPERATURE:	Max. +60°C
PRESSIONE DI ESERCIZIO MAX:	Acqua PN16 Gas S5	MAX WORKING PRESSURE:	Water PN16 Gas S5

TYPE A



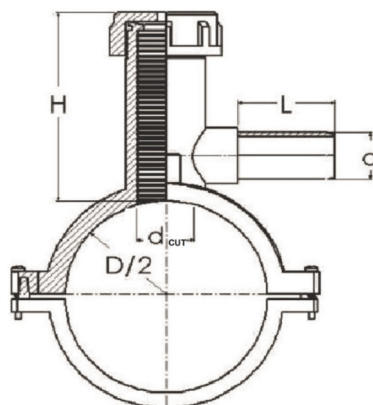
TYPE B



TYPE C



TYPE D



TYPE E





Art. 038021 TIS1

D	d	H	L	d _{CUT}	Type
40	20	105	44	16	A
40	25	105	44	16	A
40	32	105	47	16	A
50	20	105	52	21.2	A
50	25	105	54	21.2	A
50	32	105	85	21.2	A
50	40	105	90	21.2	A
63	20	105	52	21.2	A
63	25	105	54	21.2	A
63	32	105	85	21.2	A
63	40	105	90	21.2	A
63	50	200	105	31.8	B
63	63	200	105	31.8	B
75	20	105	52	31.8	A
75	25	105	54	31.8	A
75	32	105	85	31.8	A
75	40	105	90	31.8	A
75	50	200	105	31.8	B
75	63	200	105	31.8	B
90	20	135	47	25	A
90	25	135	52	25	A
90	32	135	64	25	A
90	40	135	89	25	A

D	d	H	L	d _{CUT}	Type
90	50	180	100	31.8	A
90	63	180	110	31.8	A
110	20	135	48	25	A
110	25	135	55	25	A
110	32	135	68	25	A
110	40	135	70	25	A
110	50	180	75	31.8	A
110	63	180	75	31.8	A
125	20	135	48	25	A
125	25	135	55	25	A
125	32	135	68	25	A
125	40	135	70	25	A
125	50	180	75	31.8	A
125	63	180	75	31.8	A
140	20	135	51	25	C
140	25	135	48	25	C
140	32	135	83	25	C
140	40	135	89	25	C
140	50	180	103	31.8	C
140	63	180	110	31.8	C
160	20	135	51	25	D
160	25	135	48	25	D
160	32	137	83	25	D

D	d	H	L	d _{CUT}	Type
160	40	136	60	25	D
160	50	165	109	31.8	D
160	63	165	108	31.8	D
180	20	135	65	25	D
180	25	135	64	25	D
180	32	137	87	25	D
180	40	136	60	25	D
180	50	165	109	31.8	D
180	63	165	108	31.8	D
200	20	135	65	25	D
200	25	135	64	25	D
200	32	137	87	25	D
200	40	136	60	25	D
200	50	165	109	31.8	D
200	63	165	108	31.8	D
225	20	135	65	25	D
225	25	135	64	25	D
225	32	137	87	25	D
225	40	136	60	25	D
225	50	165	109	31.8	D
225	63	165	108	31.8	D
250	20	135	65	31.8	D
250	25	135	64	31.8	D

D	d	H	L	d _{CUT}	Type
250	32	137	87	31.8	D
250	40	136	60	31.8	D
250	50	165	109	31.8	D
250	63	165	108	31.8	D
280	20	135	65	31.8	D
280	25	135	64	31.8	D
280	32	137	87	31.8	D
280	40	136	60	31.8	D
280	50	165	109	31.8	D
280	63	165	108	31.8	D
315	20	135	65	31.8	D
315	25	135	64	31.8	D
315	32	137	87	31.8	D
315	40	136	60	31.8	D
315	50	165	109	31.8	D
315	63	165	108	31.8	D
355	20	205	70	31.8	E*
355	25	205	80	31.8	E*
355	32	205	85	31.8	E*
355	40	205	95	31.8	E*
355	50	205	105	31.8	E*
355	63	205	115	31.8	E*

* Only SDR17 pipe for drilling.