



PN 10/16 - Art. D114GS EPDM Q2

PN 10/16 - Art. D114GS NBR Q2

VALVOLA A FARFALLA LUG DA DN250 A DN600 PN10-PN16
LUG BUTTERFLY VALVE FROM DN250 TO DN600 PN10-PN16

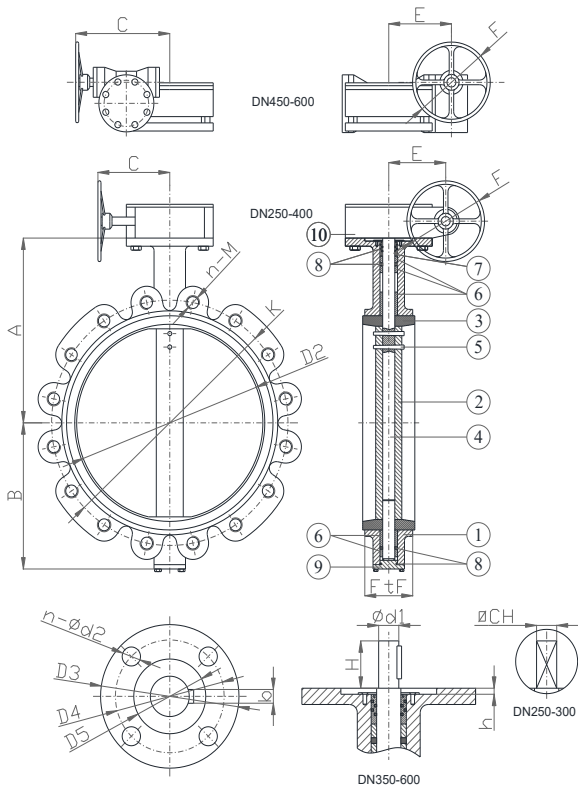


APPLICAZIONE:

Impianti idrici, riscaldamento, condizionamento e antincendio.

APPLICATION:

Water systems, heating, conditioning and fire prevention.



CARATTERISTICHE PRINCIPALI - MAIN FEATURES	
NORMA PROGETTO:	EN 593, EN 1074-1 ed EN 1074-2
SCARTAMENTO:	EN 558 Serie 20
FLANGE:	EN 1092-2
COLLAUDI:	EN 12266-1
FLANGIA SUPERIORE:	ISO 5211
TEMPERATURA ESERCIZIO:	EPDM ≤ +120°C NBR ≤ +80°C
DESIGN STANDARD:	EN 593, EN 1074-1 ed EN 1074-2
FACE TO FACE:	EN 558 Serie 20
FLANGES:	EN 1092-2
TESTS:	EN 12266-1
TOP FLANGE:	ISO 5211
WORKING TEMPERATURE:	EPDM ≤ +120°C NBR ≤ +80°C

	COMPONENTI PART	MATERIALI MATERIALS
1	CORPO BODY	EN-GJS 400-15 EN-GJS 400-15
2	DISCO DISC	EN-GJS 400-15 EN-GJS 400-15
3	TENUTA SEAT	GOMMA EPDM (a richiesta NBR) EPDM COATED (NBR on request)
4	ALBERO STEM	ACC.INOX AISI 420 (EN 1.4021) SS AISI 420 (EN 1.4021)
5	PERNO PIN	ACC.INOX AISI 420 (EN 1.4021) SS AISI 420 (EN 1.4021)
6	BOCCOLA BUSHING	FIBRA DI VETRO + PTFE FIBERGLASS + PTFE
7	BOCCOLA DI TENUTA SEAL BUSH	BRONZO/ALLUMINIO ALUMINUM/BRONZE
8	O-RING O-RING	NBR NBR
9	COPERCHIO COVER	EN-GJS 400-15 EN-GJS 400-15
10	RIDUTTORE GEAR BOX	EN-GJL 250 EN-GJL 250

RIVESTIMENTO - COATING	
Esterno con polvere epossidica di colore blu RAL 5015 e spessore 250µm. External FBE coating process with epoxy resin powder of blue colour RAL 5015 and thickness of 250µm.	

DN	K		n-ød		D2	D3	D4	D5	n-ød2	h	CH	ød1	b	H	A	B	C	E	F	FtF	Kv	W (kg)
	PN10	PN16	PN10	PN16																		
250	350	355	12-M20	12-M24	250	125	102	70	4-12	4	22	-	-	40	292	203	207	66	280	68	4555	39,0
300	400	410	12-M20	12-M24	301	140	102	70	4-12	4	22	-	-	45	337	242	195	77	280	78	7037	59,0
350	460	470	16-M20	16-M24	333	150	125	85	4-14	4	-	28	8	52	368	267	195	77	280	78	10165	82,0
400	515	525	16-M24	16-M27	389	197	140	100	4-18	5	-	36	10	52	400	309	280	120	380	102	13799	137
450	565	585	20-M24	20-M27	440	197	140	100	4-18	5	-	42	12	52	422	317	255	174	285	114	18514	162
500	620	650	20-M24	20-M30	491	197	140	100	4-18	5	-	42	12	65	480	361	255	174	285	127	23805	240
600	725	770	20-M27	20-M33	592	276	165	130	4-22	5	-	50	16	70	562	447	280	212	285	154	36778	352