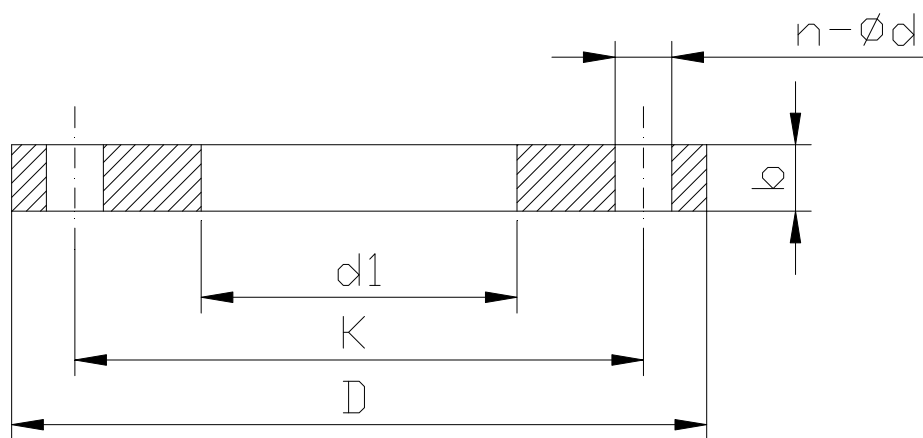




Art. 048004

FLANGIA PIANA A SALDARE, PN10

PLATE FLANGE FOR WELDING, PN10

NORME PRODOTTO:
MATERIALI:EN 1092-1-1
Acciaio al carbonioPRODUCT STANDARDS:
MATERIALS:EN 1092-1-1
Carbon steel

DN	d1	K	D	n-ød	b	VITE SCREW	PESO kg WEIGHT
15	22.0	65	95	4-14	14	M12	0.7
20	27.5	75	105	4-14	16	M12	0.9
25	34.5	85	115	4-14	16	M12	1.1
32	43.5	100	140	4-18	18	M16	1.8
40	49.5	110	150	4-18	18	M16	2.1
50	61.5	125	165	4-18	20	M16	2.7
65	77.5	145	185	*8-18	20	M16	3.2
80	90.5	160	200	8-18	20	M16	3.6
100	116.0	180	220	8-18	22	M16	4.4
125	141.5	210	250	8-18	22	M16	5.4
150	170.5	240	285	8-22	24	M20	7.1
200	221.5	295	340	8-22	24	M20	9.3
250	276.5	350	395	12-22	26	M20	11.8
300	327.5	400	445	12-22	26	M20	13.6
350	359.5	460	505	16-22	30	M20	20.4
400	411.0	515	565	16-26	32	M24	27.5
450	462.0	565	615	20-26	36	M24	33.6
500	513.5	620	670	20-26	38	M24	40.2
600	616.5	725	780	20-30	42	M27	54.5
700	714.2	840	895	24-30	50	M27	85.0
800	815.8	950	1015	24-33	56	M30	123.0
900	917.4	1050	1115	28-33	62	M30	143.0
1000	1019.0	1160	1230	28-36	70	M33	204.0

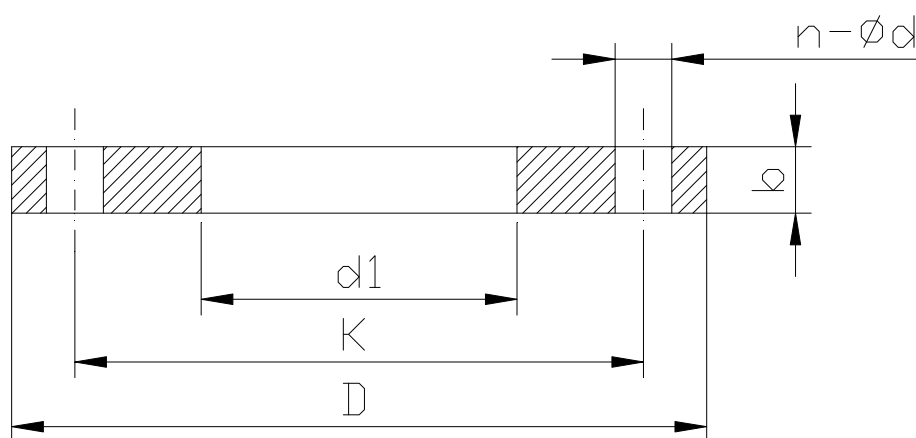
*Su richiesta 4 fori. 4 holes available on request.



Art. 048006

FLANGIA PIANA A SALDARE, PN16

PLATE FLANGE FOR WELDING, PN16

NORME PRODOTTO:
MATERIALI:EN 1092-1-1
Acciaio al carbonioPRODUCT STANDARDS:
MATERIALS:EN 1092-1-1
Carbon steel

DN	d1	K	D	n-ød	b	VITE SCREW	PESO kg WEIGHT
15	22.0	65	95	4-14	14	M12	0.7
20	27.5	75	105	4-14	16	M12	0.9
25	34.5	85	115	4-14	16	M12	1.1
32	43.5	100	140	4-18	18	M16	1.8
40	49.5	110	150	4-18	18	M16	2.1
50	61.5	125	165	4-18	20	M16	2.7
65	77.5	145	185	*8-18	20	M16	3.2
80	90.5	160	200	8-18	20	M16	3.6
100	116.0	180	220	8-18	22	M16	4.4
125	141.5	210	250	8-18	22	M16	5.4
150	170.5	240	285	8-22	24	M20	7.1
200	221.5	295	340	12-22	26	M20	9.7
250	276.5	355	405	12-26	29	M24	14.2
300	327.5	410	460	12-26	32	M24	19.0
350	359.5	470	520	16-26	35	M24	28.2
400	411.0	525	580	16-30	38	M27	35.9
450	462.0	585	640	20-30	42	M27	46.1
500	513.5	650	715	20-33	46	M30	64.0
600	616.5	770	840	20-36	55	M33	102.0
700	714.2	840	910	24-36	63	M33	120.0
800	815.8	950	1025	24-39	74	M36	185.0
900	917.4	1050	1125	28-39	82	M36	205.0
1000	1019.0	1170	1255	28-42	90	M39	288.0

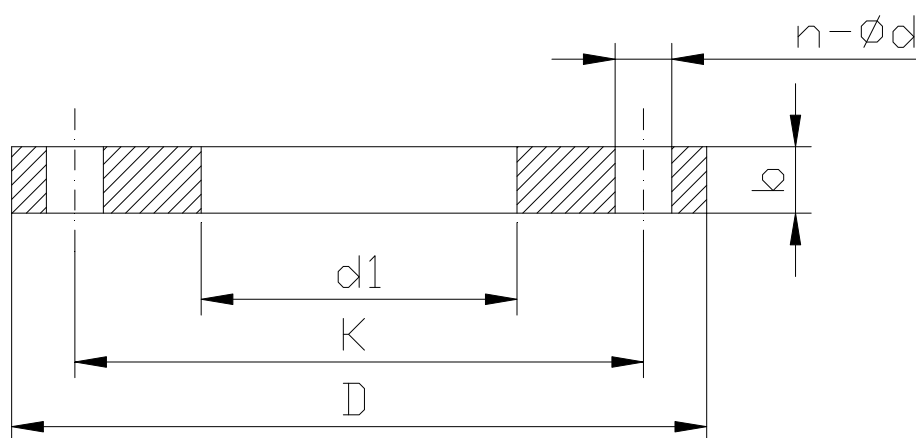
*Su richiesta 4 fori. 4 holes available on request.



Art. 048050

FLANGIA PIANA A SALDARE, PN25

PLATE FLANGE FOR WELDING, PN25

NORME PRODOTTO:
MATERIALI:EN 1092-1-1
Acciaio al carbonioPRODUCT STANDARDS:
MATERIALS:EN 1092-1-1
Carbon steel

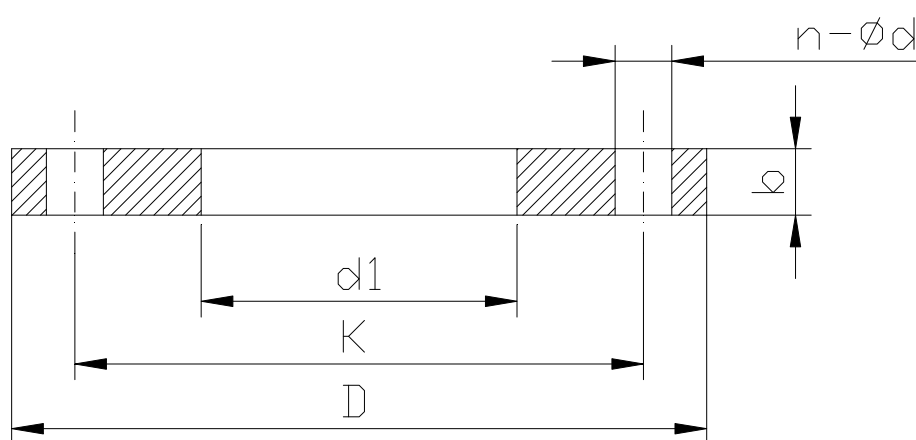
DN	d1	K	D	n-ød	b	VITE SCREW	PESO kg WEIGHT
15	22.0	65	95	4-14	14	M12	0.7
20	27.5	75	105	4-14	16	M12	0.9
25	34.5	85	115	4-14	16	M12	1.1
32	43.5	100	140	4-18	18	M16	1.8
40	49.5	110	150	4-18	18	M16	2.1
50	61.5	125	165	4-18	20	M16	2.7
65	77.5	145	185	8-18	22	M16	3.5
80	90.5	160	200	8-18	24	M16	4.3
100	116.0	190	235	8-22	26	M20	6.1
125	141.5	220	270	8-26	28	M24	8.2
150	170.5	250	300	8-26	30	M24	10.3
200	221.5	310	360	12-26	32	M24	14.3
250	276.5	370	425	12-30	35	M27	20.1
300	327.5	430	485	16-30	38	M27	26.6
350	359.5	490	555	16-33	42	M30	41.8
400	411.0	550	620	16-36	48	M33	57.6
450	462.0	600	670	20-36	54	M33	69.8
500	513.5	660	730	20-36	58	M33	87.0
600	616.5	770	845	20-39	68	M36	127.0



Art. 048000

FLANGIA PIANA A SALDARE, PN40

PLATE FLANGE FOR WELDING, PN40

NORME PRODOTTO:
MATERIALI:EN 1092-1-1
Acciaio al carbonioPRODUCT STANDARDS:
MATERIALS:EN 1092-1-1
Carbon steel

DN	d1	K	D	n-ød	b	VITE SCREW	PESO kg WEIGHT
15	22.0	65	95	4-14	14	M12	0.7
20	27.5	75	105	4-14	16	M12	0.9
25	34.5	85	115	4-14	16	M12	1.1
32	43.5	100	140	4-18	18	M16	1.8
40	49.5	110	150	4-18	18	M16	2.1
50	61.5	125	165	4-18	20	M16	2.7
65	77.5	145	185	8-18	22	M16	3.5
80	90.5	160	200	8-18	24	M16	4.3
100	116.0	190	235	8-22	26	M20	6.1
125	141.5	220	270	8-26	28	M24	8.2
150	170.5	250	300	8-26	30	M24	10.3
200	221.5	320	375	12-30	36	M27	17.9
250	276.5	385	450	12-33	42	M30	29.3
300	327.5	450	515	16-33	52	M30	45.1
350	359.5	510	580	16-36	58	M33	66.7
400	411.0	585	660	16-39	65	M36	97.1
450	462.0	610	685	20-39	66	M36	91.5
500	513.5	670	755	20-42	72	M39	120.5
600	616.5	795	890	20-48	84	M45	189.5