

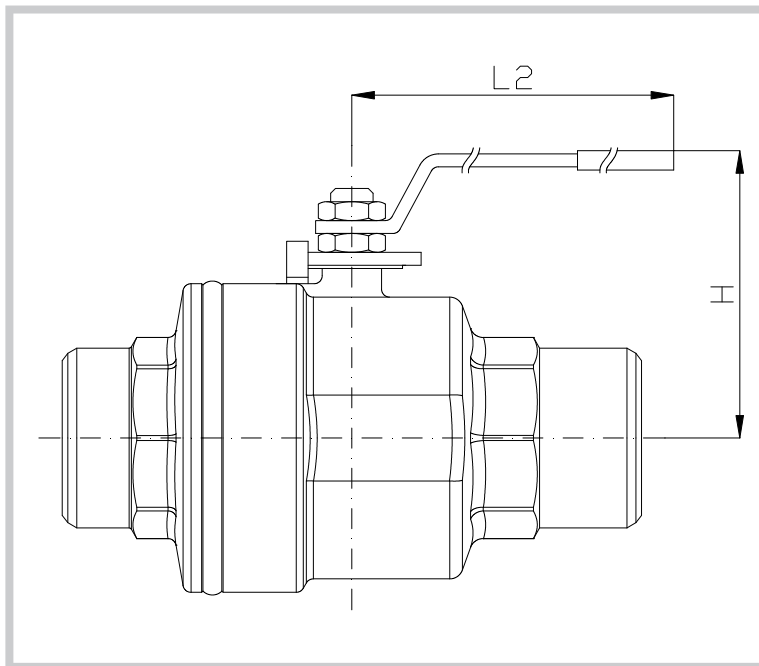
## BALL VALVE

# T.i.S.

Art. 07434

Art. 07433

**VALVOLA A SFERA IN ACCIAIO, PN20, PER GAS NATURALE, ESTREMITA' A SALDARE, CON LEVA**  
**FULLY WELDED FLOATING BALL VALVE, PN20, FOR NATURAL GAS, BW ENDS, WITH HANDLE**

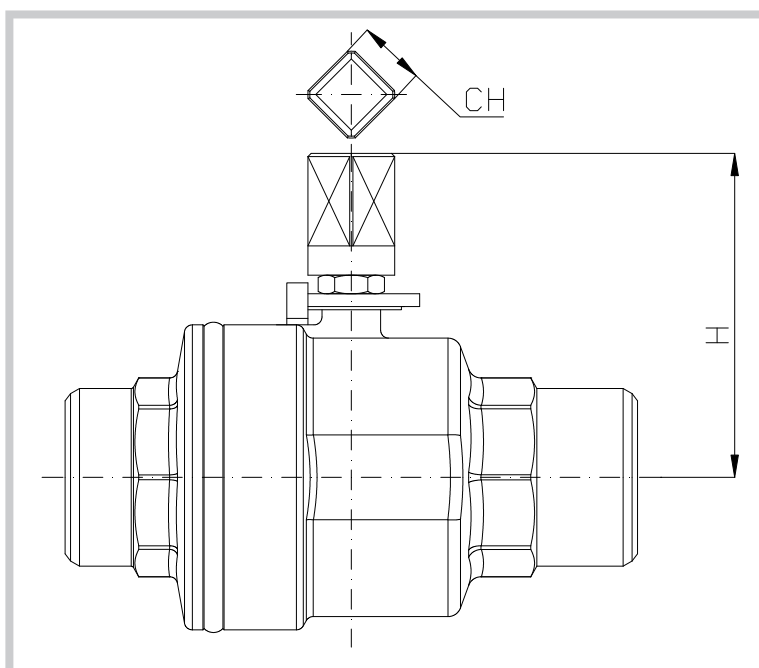


DN	Inch.	L2	H
25	1	174	83.5
32	1 1/4	174	86
40	1 1/2	250	106
50	2	250	116.5
65	2 1/2	381	135.5
80	3	381	146.5

**RIVESTIMENTO:** Vernice di colore nero RAL 9005 con spessore min. 100µm.

**SURFACE PROTECTION:** black paint colour RAL 9005 and minimum thickness of 100µm.

**VALVOLA A SFERA IN ACCIAIO, PER GAS NATURALE, ESTREMITA' A SALDARE, CON QUADRO DI MANOVRA**  
**FULLY WELDED FLOATING BALL VALVE FOR NATURAL GAS, BW ENDS, WITH SQUARE FOR MANUAL OPERATOR CONNECTION**



DN	Inch.	CH	H
25	1	22x22	104
32	1 1/4	22x22	110
40	1 1/2	22x22	127
50	2	22x22	138
65	2 1/2	22x22	156
80	3	22x22	167

**RIVESTIMENTO:** Vernice di colore nero RAL 9005 con spessore min. 100µm.

**SURFACE PROTECTION:** black paint colour RAL 9005 and minimum thickness of 100µm.