



PN 10 - ART. D156 M

PN 16 - ART. D157 M

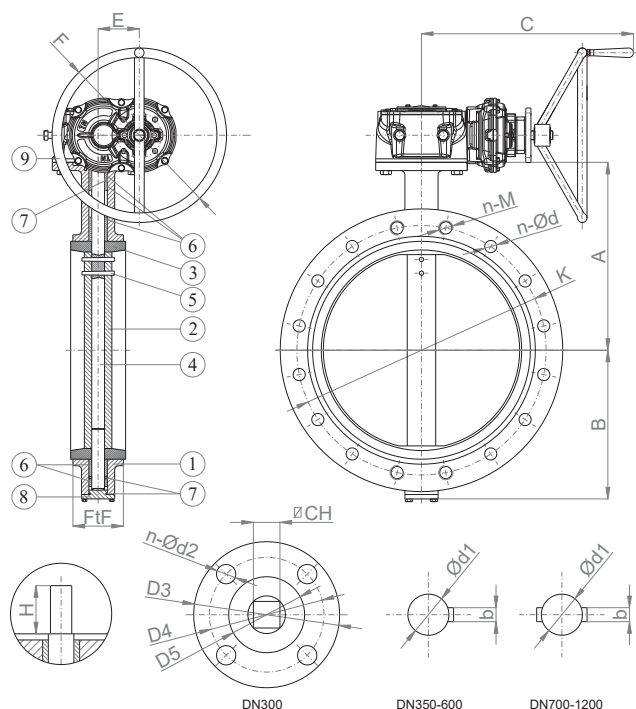
## VALVOLA A FARFALLA U-SECTION PN10-PN16 U-SECTION BUTTERFLY VALVE PN10-PN16

### APPLICAZIONE:

Fornitura, raccolta, distribuzione di acqua potabile.

### APPLICATION:

Supply, collection, distribution of drinkable water.



Riduttore di sforzo predisposto per attuatore multi-giro con flangia ISO.	Gearbox input shaft with ISO top flange for multi-turn actuator coupling.
DN400 - DN1000 PN10 - PN16	DN1200 PN10 - PN16
F10	F14

### CARATTERISTICHE PRINCIPALI - MAIN FEATURES

<b>NORMA PROGETTO:</b>	EN 593, EN 1074-1 ed EN 1074-2
<b>SCARTAMENTO:</b>	EN 558 Serie 20
<b>FLANGE:</b>	EN 1092-2
<b>COLLAUDI:</b>	EN 12266-1
<b>FLANGIA SUPERIORE:</b>	ISO 5211
<b>TEMPERATURA ESERCIZIO:</b>	+80°C
<b>DESIGN STANDARD:</b>	EN 593, EN 1074-1 ed EN 1074-2
<b>FACE TO FACE:</b>	EN 558 Serie 20
<b>FLANGES:</b>	EN 1092-2
<b>TESTS:</b>	EN 12266-1
<b>TOP FLANGE:</b>	ISO 5211
<b>WORKING TEMPERATURE:</b>	+80°C

	COMPONENTI PARTS	MATERIALI MATERIALS
1	CORPO BODY	EN-GJS 400-15 EN-GJS 400-15
2	DISCO DISC	EN-GJS 400-15 (rivestimento epossidico) EN-GJS 400-15 (Epoxy coated)
3	TENUTA SEAT	EPDM (a richiesta NBR) EPDM (NBR on request)
4	ALBERO STEM	ACC.INOX AISI 420 (EN 1.4021) SS AISI 420 (EN 1.4021)
6	BOCCOLA BUSHING	FIBRA DI VETRO + PTFE FIBERGLASS + PTFE
7	O-RING O-RING	EPDM EPDM
8	COPERCHIO COVER	EN-GJS 400-15 EN-GJS 400-15
9	RIDUTTORE GEAR BOX	EN-GJS 400-15 EN-GJS 400-15

### RIVESTIMENTO - COATING

Polvere epossidica di colore blu RAL 5015: spessore sul corpo 250µm, disco 400µm.

FBE coating with epoxy resin powder of blue colour RAL 5015: thickness on the body 250µm, disc 400µm.

DN	K		n-ød		n-M		D3	D4	D5	n-ød2	CH	ød1	b	H	A	B	C	E	F	FtF	W (kg)
	PN10	PN16	PN10	PN16	PN10	PN16															
300	400	410	12-23	12-28	-	-	140	102	70	4-12	22	-	-	45	337	242	256	55	250	78	38.5
350	460	470	16-23	16-28	-	-	150	125	85	4-14	-	28	8	52	368	267	305	64	300	78	79.5
400	515	525	16-28	16-31	-	-	197	140	100	4-18	-	36	10	52	400	309	465	56	400	102	86.5
450	565	585	20-28	20-31	-	-	197	140	100	4-18	-	42	12	52	422	328	465	56	400	114	128
500	620	650	20-28	20-34	-	-	197	140	100	4-18	-	42	12	65	480	361	486	95	400	127	143
600	725	770	20-31	20-37	-	-	276	165	130	4-22	-	50	16	70	562	459	500	119	400	154	226
700	840	840	20-31	20-37	4-M27	4-M33	300	254	200	8-18	-	60	18	100	624	520	500	119	400	165	237
750	900	900	20-34	20-37	4-M30	4-M33	300	254	200	8-18	-	60	18	110	660	545	550	112	400	165	370
800	950	950	20-34	20-41	4-M30	4-M36	300	254	200	8-18	-	60	18	110	672	591	550	112	400	190	410
900	1050	1050	24-34	24-41	4-M30	4-M36	300	254	200	8-18	-	72	20	118	720	656	583	112	400	203	547
1000	1160	1170	24-37	24-44	4-M33	4-M39	350	298	230	8-22	-	80	22	142	800	721	583	112	400	216	887
1200	1380	1390	28-41	28-50	4-M36	4-M45	350	298	230	8-22	-	105	28	154	941	844	583	112	400	276	1351