

Art. 038150

SARACINESCA IN POLIETILENE, PE100, SDR11
POLYETHYLENE GATE VALVE, PE100, SDR11

APPLICAZIONE:
Impianti di acquedottistica.

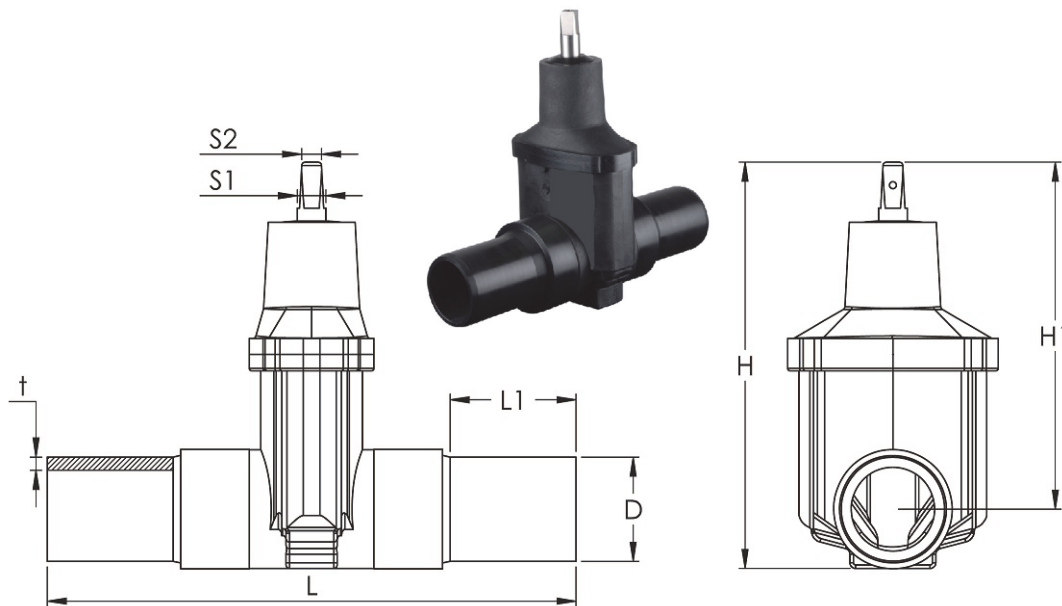
APPLICATION:
Water pipeline system.

NORME PRODOTTO: UNI EN 12201-4-7

PRODUCT STANDARDS: UNI EN 12201-4-7

PRESSIONE DI ESERCIZIO MAX: Acqua PN16

MAX WORKING PRESSURE: Water PN16



| D | L | L1 | H | H1 | t | S1 | S2 |
|-----|-----|-----|-----|-----|------|----|----|
| 63 | 330 | 65 | 285 | 250 | 6.5 | 17 | 14 |
| 90 | 365 | 80 | 365 | 310 | 9 | 17 | 14 |
| 110 | 415 | 85 | 430 | 375 | 11 | 19 | 16 |
| 125 | 425 | 90 | 430 | 375 | 18.5 | 19 | 16 |
| 160 | 495 | 100 | 540 | 460 | 16 | 19 | 16 |
| 200 | 560 | 115 | 665 | 565 | 20 | 24 | 21 |
| 225 | 570 | 120 | 665 | 565 | 22 | 24 | 21 |