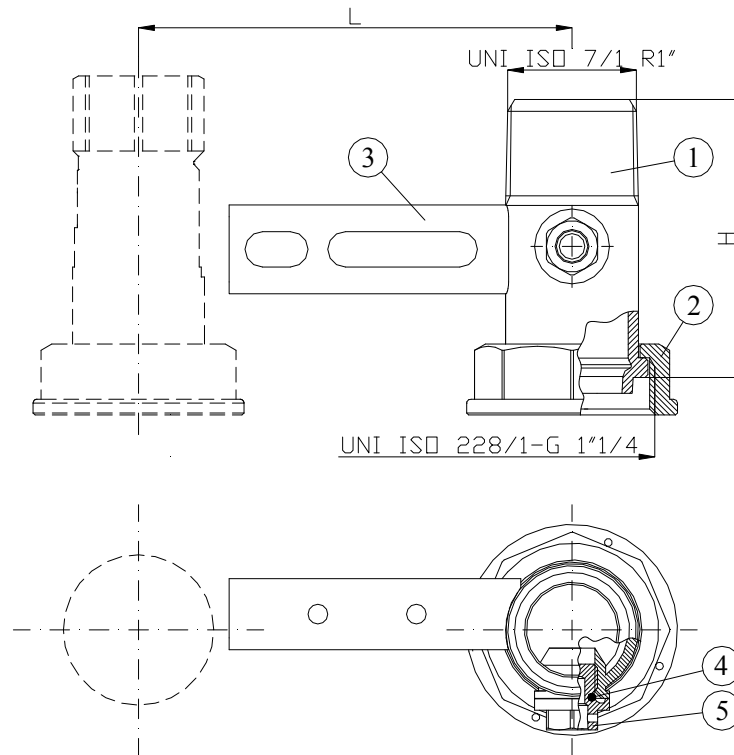


TRAVERSA IN ACCIAIO CON CANOTTO PRESA PRESSIONE SENZA ZANCA

STEEL CROSS BEAM WITH THREADED UNION TAIL FOR PRESSURE MEASUREMENT WITHOUT FIXING PLATE



Inch.	L	H
1 x 1 1/4	110	70.5

DENOMINAZIONE PART	MATERIALI MATERIALS
1 CANOTTO MALE UNION TAIL	ACCIAIO STEEL S235JR
2 GIRELLO NUT	OTTONE BRASS
3 TRAVERSA CROSS BEAM	ACCIAIO STEEL S235JR
4 O-RING O-RING	NBR NBR
5 TAPPO CAP	OTTONE BRASS