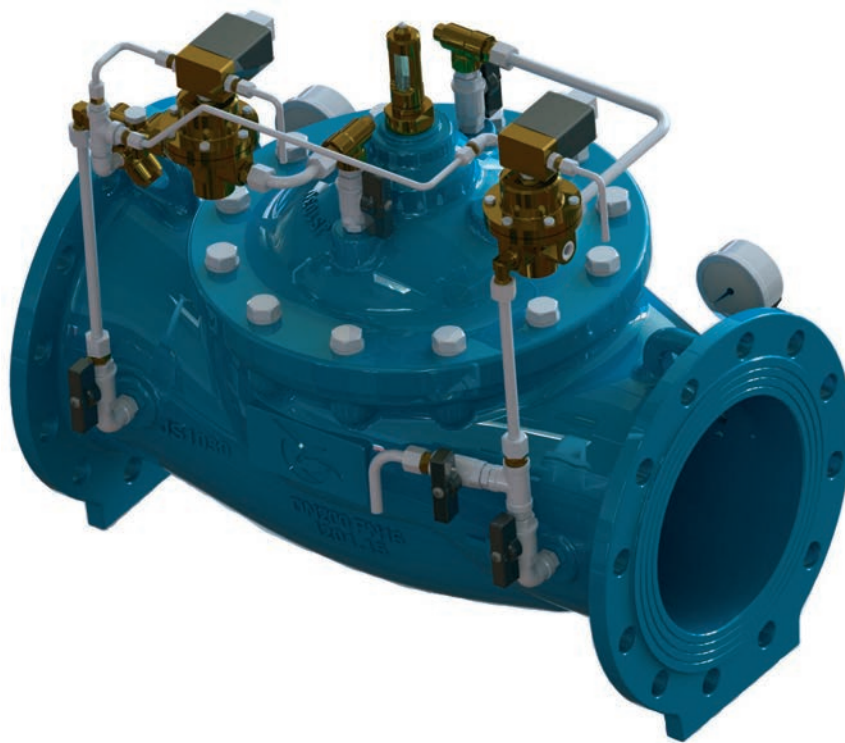


M3770 • SOLENOID CONTROLLED/ELETRICALLY POSITIONED “STEP BY STEP” VALVE (FROM DN300 TO DN1000)



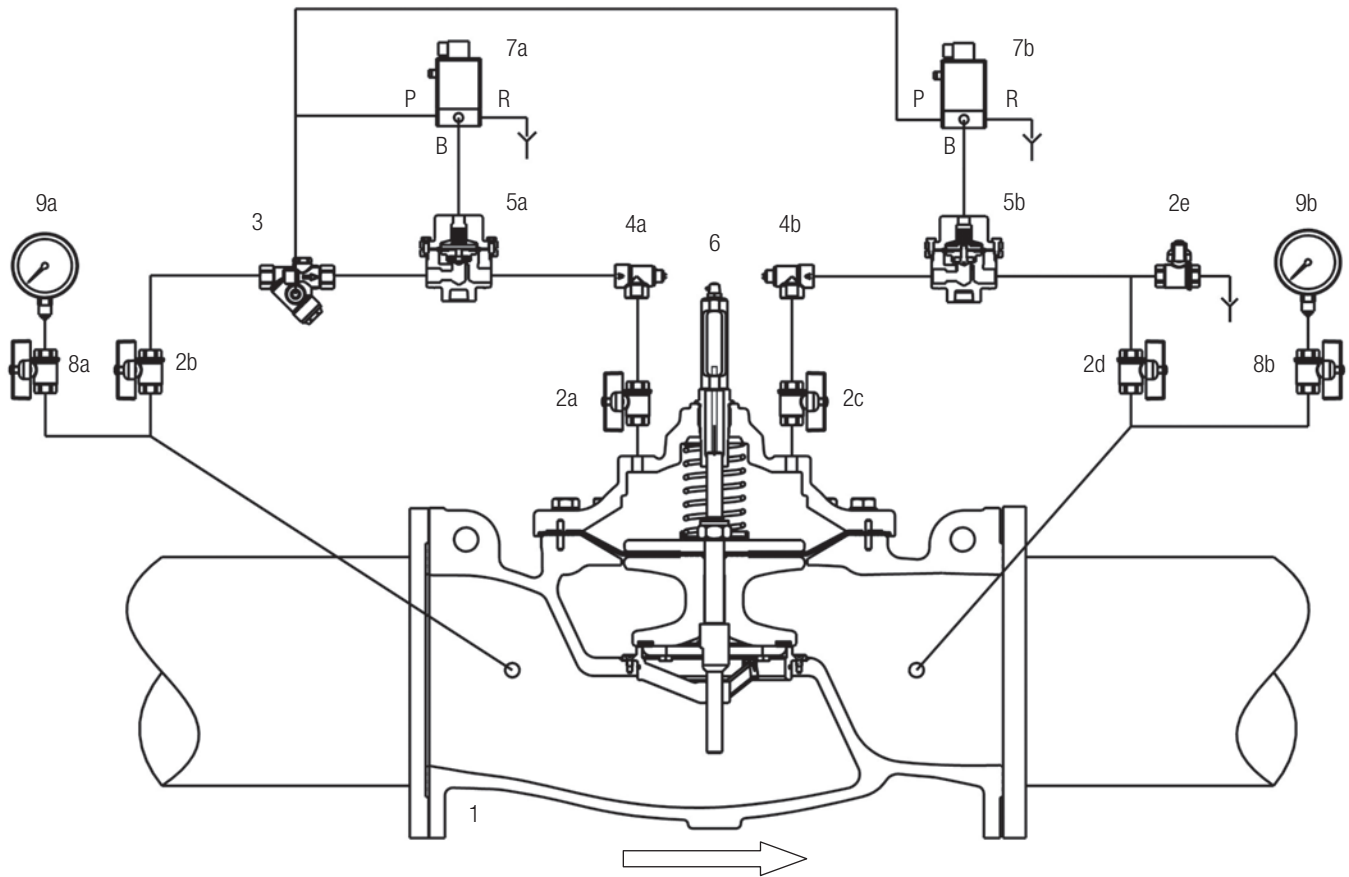
OPERATING PRINCIPLE

The valve is controlled by two solenoids valves, each one of them acts on an auxiliary valve. The standard configuration of the assembly composed by solenoid valve and auxiliary valve is Normally Closed, which means that, without tension, the main valve remains in the last set position. A remote-control system reads flow or level or pressure sensors and according to a given set point, it manages the two solenoid valves to open or close the main valve in a step-by-step way until the desired set-point is reached.

ADDITIONAL FUNCTIONS

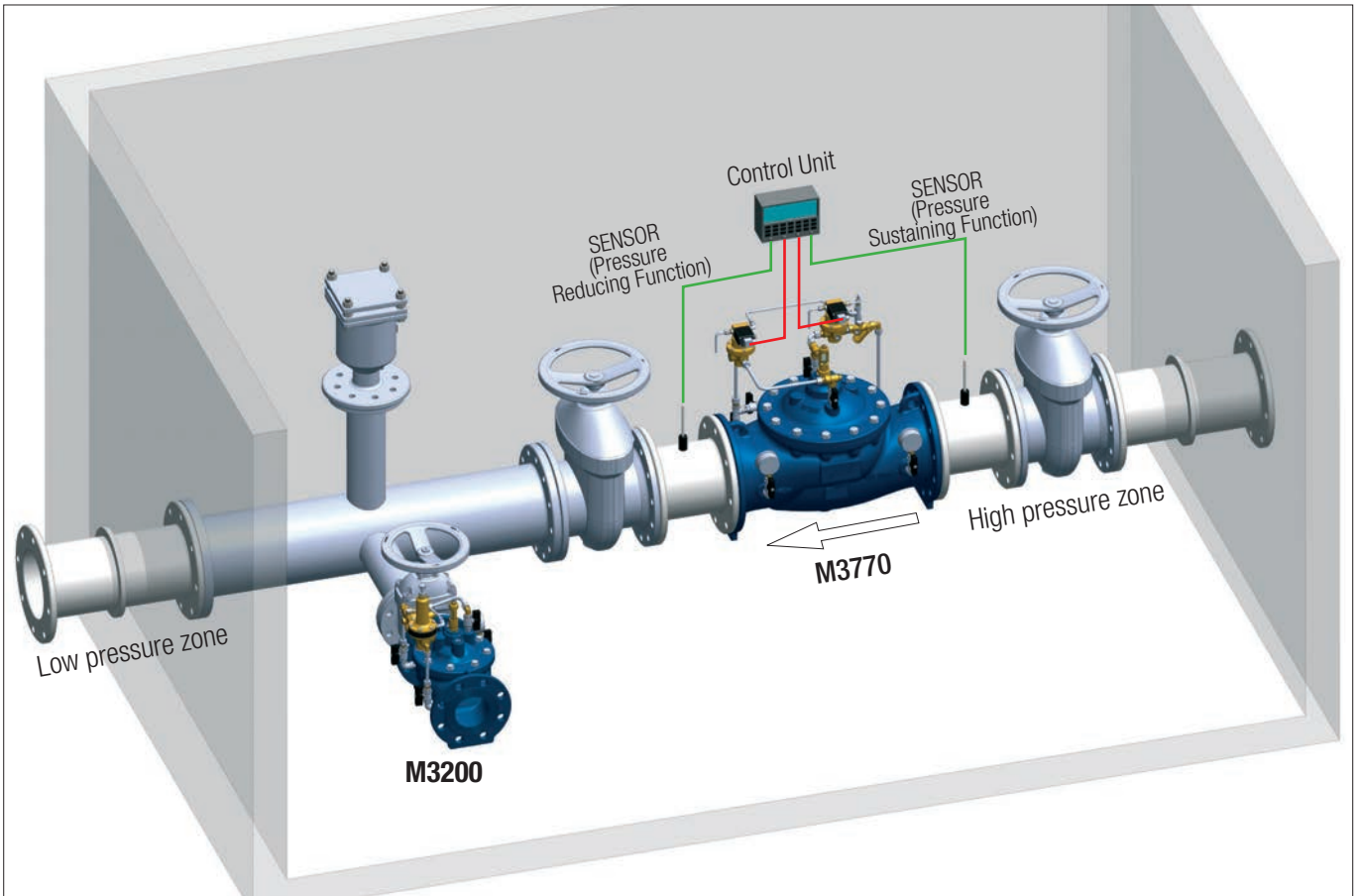
- minimum pressure sustaining;
- non-return;
- tank level control.

CIRCUIT AND MATERIALS

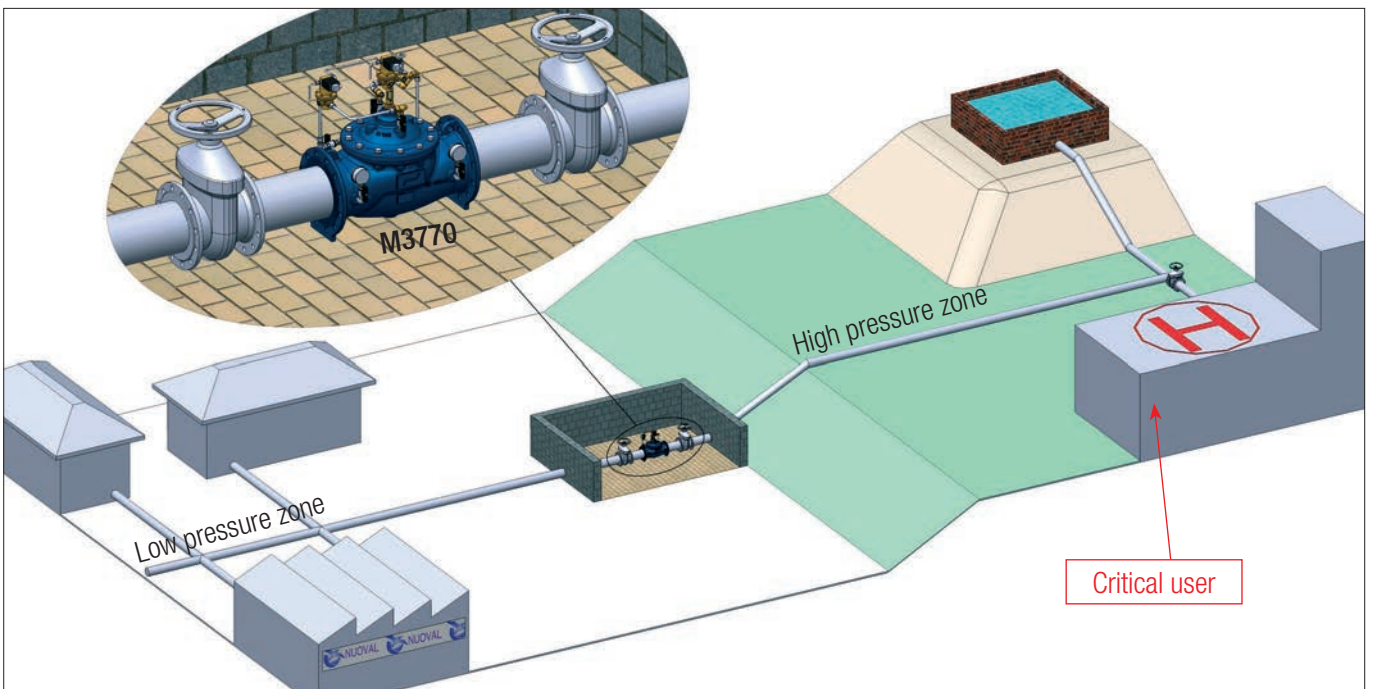


ITEM	DESCRIPTION	MATERIALS
1	Main valve	GJS400-15 EN1563
2 (a,b,c,d,e)	Isolating ball valve	Ni-plated Brass
3	Y - Strainer with calibrated orifice	1.4401 EN10088-3 + Brass
4 (a,b)	Bidirectional needle valve	1.4401 EN10088-3 + Brass
5 (a,b)	Auxiliary two way N.O. valve VA200	1.4301 EN10088-3 + Brass
6	Position indicator with manual venting cock	Brass + Hardened glass
7 (a,b)	Solenoid valve	Brass
8 (a,b)	Gauge holder with drain	Ni-plated Brass
9 (a,b)	Pressure gauge	1.4301 EN10088-3 + Glycerine
--	Pipe	1.4401 EN10088-3
--	Fittings	1.4401 EN10088-3
--	Compression fittings	1.4401 EN10088-3 + Brass

TYPICAL INSTALLATION



TYPICAL APPLICATION



M3771 • SOLENOID CONTROLLED/ELECTRICALLY POSITIONED “STEP BY STEP” VALVE (FROM DN50 TO DN250)



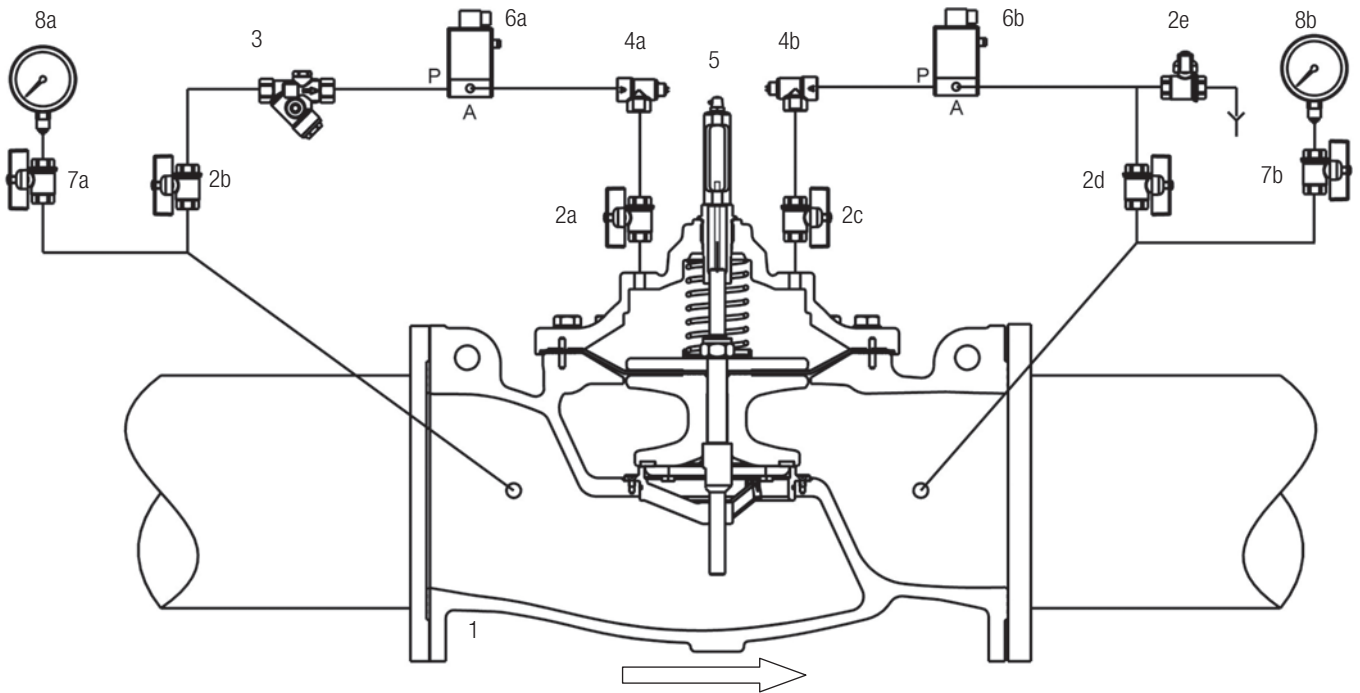
OPERATING PRINCIPLE

The valve is directly controlled by two-ways/two positions solenoid valves. The standard configuration of the solenoid valves is Normally Closed NC, which means that, without tension, the main valve remains in the last set position. A remote-control system reads flow or level or pressure sensors and according to a given set point, it manages the two solenoid valves to open or close the main valve in a step-by-step way until the desired set-point is reached.

ADDITIONAL FUNCTIONS

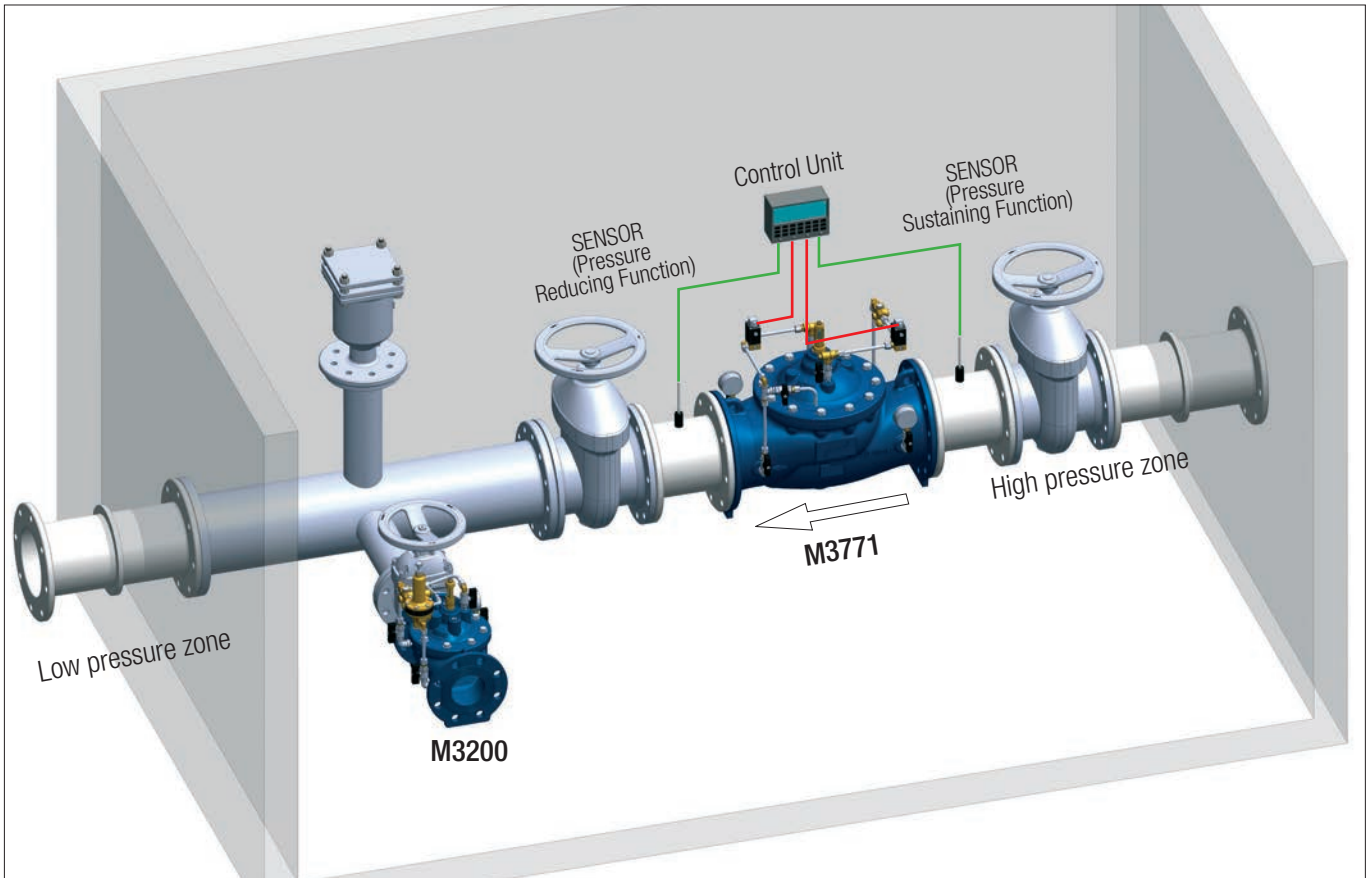
- minimum pressure sustaining;
- non-return;
- tank level control.

CIRCUIT AND MATERIALS



ITEM	DESCRIPTION	MATERIALS
1	Main valve	GJS400-15 EN1563
2 (a,b,c,d,e)	Isolating ball valve	Ni-plated Brass
3	Y - Strainer with calibrated orifice	1.4401 EN10088-3 + Brass
4 (a,b)	Bidirectional needle valve	1.4401 EN10088-3 + Brass
5	Position indicator with manual venting cock	Brass + Hardened glass
6 (a,b)	Solenoid valve	Brass
7 (a,b)	Gauge holder with drain	Ni-plated Brass
8 (a,b)	Pressure gauge	1.4301 EN10088-3 + Glycerine
--	Pipe	1.4401 EN10088-3
--	Fittings	1.4401 EN10088-3
--	Compression fittings	1.4401 EN10088-3 + Brass

TYPICAL INSTALLATION



TYPICAL APPLICATION

