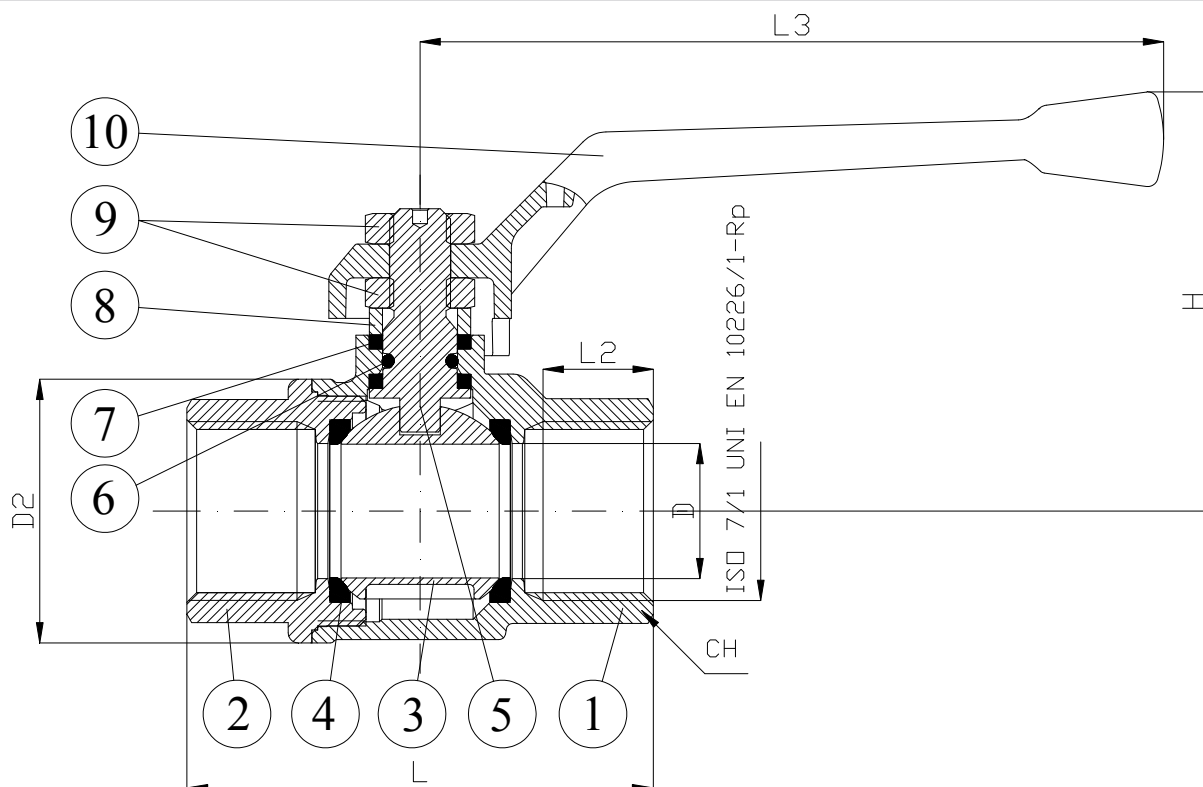


VALVOLA A SFERA PER GAS A PASSAGGIO TOTALE, FILETTATURA F/F

FULL BORE VALVE FOR GAS, F/F THREADED



PRESSIONE ESERCIZIO: Max. 5bar
TEMP. ESERCIZIO: da -20° a +90°C
WORKING PRESSURE: Max. 5 bar
WORKING TEMP.: from -20° to +90°C

Inch.	DN	D	D2	L	L2	L3	H	CH	Peso (kg) Weight
1/4	8	10	23	51.5	11	95	47.5	20	0.14
3/8	10	10	23	51.5	11.4	95	47.5	20	0.13
1/2	15	15	33	62	15	95	51	25	0.21
3/4	20	20	39	69	16.3	110	62	31	0.33
1	25	25	49	83	19.1	110	66	38	0.53
1 1/4	32	32	59	96	21.4	160	80	48	0.97
1 1/2	40	40	73	108	21.4	160	86	54	1.45
2	50	50	87	127	25.7	170	105	67	1.98
2 1/2	65	65	111	152	30.2	205	129	90	3.71
3	80	80	136	177	33.3	205	140	105	5.90
4	100	100	166	214	39.3	260	160	130	10

DENOMINAZIONE PART	MATERIALI MATERIALS
1 CORPO BODY	OTTONE BRASS
2 MANICOTTO END CONNECTION	OTTONE BRASS
3 SFERA BALL	OTTONE BRASS
4 GUARNIZIONE SFERA BALL SEAT	PTFE PTFE
5 ALBERO STEM	OTTONE BRASS
6 O-RING O-RING	NBR NBR
7 RONDELLA ANTIATTRITO STEM WASHER	PTFE PTFE
8 BUSSOLA PACKING GLAND	OTTONE BRASS
9 DADO NUT	ACCIAIO STEEL
10 LEVA HANDLE	ALLUMINIO ALUMINIUM