



RACCORDO DI TRANSIZIONE FLANGIATO

FLANGED TRANSITION FITTING

APPLICAZIONE:

Adatto per il convogliamento e la distribuzione di acqua

APPLICATION:

Suitable for conveying and distributing of water

NORME PRODOTTO:

UNI EN 12201-2
EN 1092-2

PRODUCT STANDARDS:

UNI EN 12201-2
EN 1092-2

TEMPERATURA DI ESERCIZIO:

Max. +60°C

WORKING TEMPERATURE:

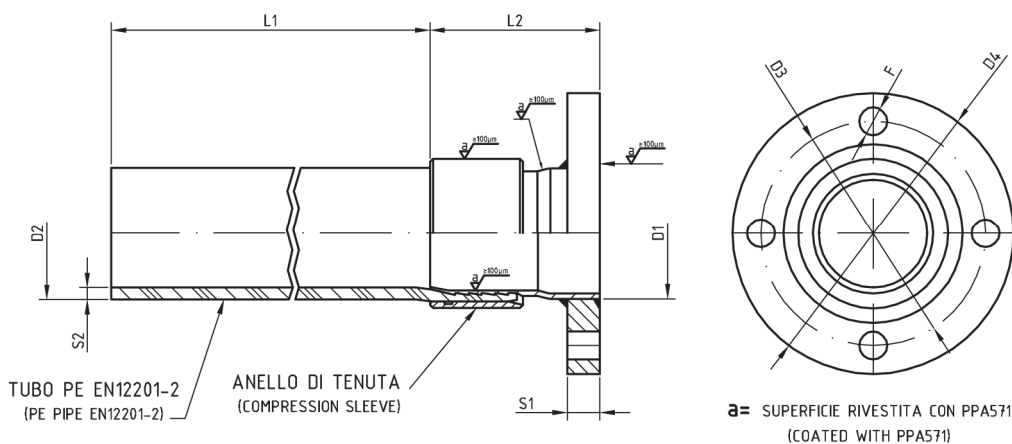
Max. +60°C

PRESSIONE DI ESERCIZIO MAX:

PN16

MAX WORKING PRESSURE:

PN16



DN	D1	D2	D3	D4	L1	L2	S1	S2	F	M	N	W(kg)	€
40	48.3	50	110	150	170	100	18	4.6	18	M16	4	2.7	
50	60.3	63	125	165	170	100	19	5.8	18	M16	4	4.0	
65	76.1	75	145	185	170	130	20	6.8	18	M16	4	6.2	
80	88.9	90	160	200	170	130	20	8.2	18	M16	8	6.6	
100	114.3	110	180	220	170	155	22	10	18	M16	8	9.1	
100	114.3	125	180	220	170	155	22	11.4	18	M16	8	9.7	
125	139.7	140	210	250	200	165	22	12.7	18	M16	8	13.8	
150	168.3	160	240	285	220	185	24	14.6	22	M20	8	17.5	
150	168.3	180	240	285	220	185	24	16.4	22	M20	8	18.0	
200	219.1	200	295	340	220	250	26	18.2	22	M20	12	27.4	
200	219.1	225	295	340	220	250	26	20.5	22	M20	12	29.3	
200	219.1	250	295	340	220	250	26	22.7	22	M20	12	32.8	
250	273.0	250	355	405	220	300	29	22.7	26	M24	12	43.8	
250	273.0	280	355	405	220	300	29	25.4	26	M24	12	46.3	
250	273.0	315	355	405	250	300	29	28.6	26	M24	12	55.2	
300	323.9	315	410	460	250	350	32	28.6	26	M24	12	66.1	
300	323.9	355	410	460	300	400	32	32.3	26	M24	12	72.5	
350	355.6	355	470	520	300	400	35	32.3	26	M24	16	83.0	
400	406.4	400	525	580	300	450	38	36.4	30	M27	16	135.5	