

PN 10 - Art. A022

PN 16 - Art. A023

SARACINESCA CUNEO GOMMATO PN10/16 CORPO OVALE

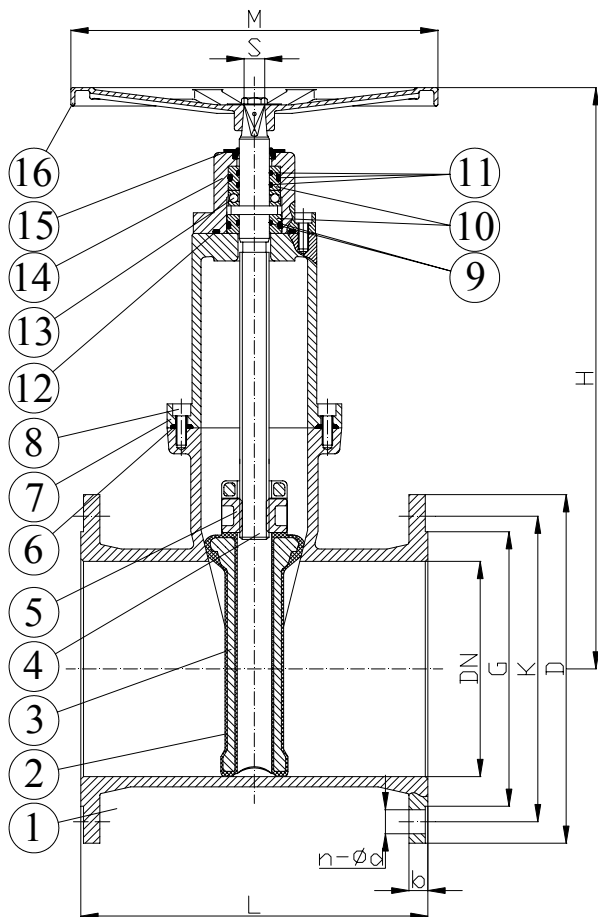
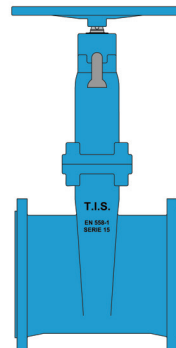
SOFT SEATED GATE VALVE PN10/16 LONG BODY

APPLICAZIONE:

Fornitura e distribuzione acqua, trattamento acque reflue e sistemi fognari, settori industriali.

APPLICATION:

Water supply and distribution, waste water treatment and sewerage.



NORMA PROGETTO:

EN 1171
EN 1074-1 ed EN 1074-2

SCARTAMENTO:

EN 558-1 Serie15

FLANGE:

EN 1092-2

COLLAUDI:

EN 12266

TEMP. ESERCIZIO:

EPDM ≤ 70°C

DESIGN STANDARD:

EN 1171
EN 1074-1 and EN 1074-2

FACE TO FACE:

EN 558-1 Serie15

FLANGES:

EN 1092-2

TESTS:

EN 12266

WORKING TEMP.:

EPDM ≤ 70°C

DENOMINAZIONE

MATERIALI

PART	MATERIALS
1 CORPO BODY	GJS 500
2 RIVESTIMENTO CUNEO WEDGE	GOMMA EPDM EPDM COATED
3 STRUTT. CUNEO CORE	GJS 500
4 ASSE STEM	ACCIAIO INOX AISI 420 STAINLESS STEEL AISI 420
5 MADREVITE STEM NUT	BRONZO ALLUMINIO ALUMINIUM BRONZE
6 GUARNIZIONE GASKET	GOMMA EPDM EPDM RUBBER
7 CAPPELLO BONNET	GJS 500
8 VITE SCREW	ACCIAIO ZINCATO GALVANIZED STEEL
9 O-RING O-RING	GOMMA NBR NBR RUBBER
10 BOCCOLA DI TENUTA O-RING PACKING PLATE	POM (DN350-450) BRONZO ALLUMINIO (DN500-600) POM (DN350-450) ALUMINIUM BRONZE (DN500-600)
11 O-RING O-RING	GOMMA NBR NBR RUBBER
12 O-RING O-RING	GOMMA NBR NBR RUBBER
13 CUSCINETTO BEARING	—
14 COPERCHIO COVER	GJS 500
15 PARAPOLVERE DUSTPROOF	GOMMA NBR NBR RUBBER
16 VOLANTINO HANDWHEEL	GJS 500

DN	PN	G	K	D	L	H	n-ød	b	M	S	W(kg)
350	10	429	460	505	550	845	16-23	24.5	500	27	210
	16	429	470	520	550	845	16-28	26.5	500	27	229
400	10	480	515	565	600	975	16-28	24.5	640	32	280
	16	489	525	580	600	975	16-31	28	640	32	290
450	10	530	565	615	650	1080	20-28	25.5	640	32	400
	16	548	585	640	650	1080	20-31	30	640	32	410
500	10	582	620	670	700	1120	20-28	26.5	640	36	496
	16	609	650	715	700	1120	20-34	31.5	640	36	510
600	10	682	725	780	800	1330	20-31	30	640	41	800
	16	720	770	840	800	1330	20-37	36	640	41	830

RIVESTIMENTO ESTERNO/INTERNO: Polvere epossidica 3M di colore BLU RAL 5015 con spessore min 250µm.
SURFACE PROTECTION: FBE coating process with 3M epoxy resin powder of sky blue color RAL 5015 and minimum thickness of 250µm.