

PN 10 - Art. A020

PN 16 - Art. A021

## SARACINESCA CUNEO GOMMATO PN10/16 CORPO PIATTO

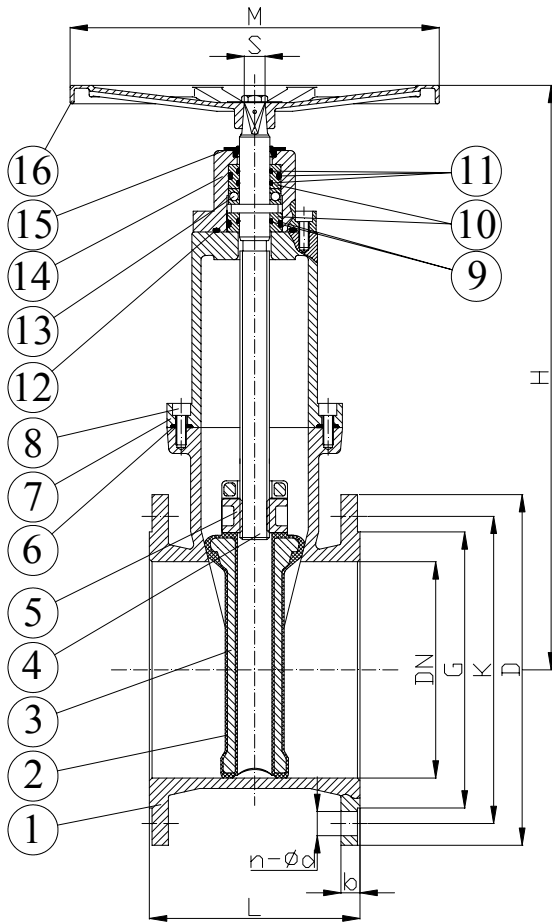
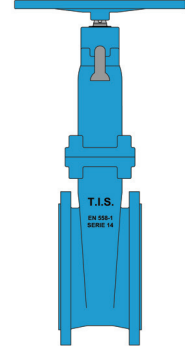
## SOFT SEATED GATE VALVE PN10/16 SHORT BODY

## APPLICAZIONE:

Fornitura e distribuzione acqua, trattamento acque reflue e sistemi fognari, settori industriali.

## APPLICATION:

Water supply and distribution, waste water treatment and sewerage.



## NORMA PROGETTO:

EN 1171  
EN 1074-1 ed EN 1074-2

## SCARTAMENTO:

EN 558-1 Serie14

## FLANGE:

EN 1092-2

## COLLAUDI:

EN 12266

## TEMP. ESERCIZIO:

EPDM  $\leq 70^{\circ}\text{C}$ 

## DESIGN STANDARD:

EN 1171

EN 1074-1 and EN 1074-2

## FACE TO FACE:

EN 558-1 Serie14

## FLANGES:

EN 1092-2

## TESTS:

EN 12266

## WORKING TEMP.:

EPDM  $\leq 70^{\circ}\text{C}$ 

## DENOMINAZIONE

## PART

## MATERIALI

## MATERIALS

1	CORPO BODY	GJS 500 GJS 500
2	RIVESTIMENTO CUNEO WEDGE	GOMMA EPDM EPDM COATED
3	STRUTT. CUNEO CORE	GJS 500 GJS 500
4	ASSE STEM	ACCIAIO INOX AISI 420 STAINLESS STEEL AISI 420
5	MADREVITE STEM NUT	BRONZO ALLUMINIO ALUMINIUM BRONZE
6	GUARNIZIONE GASKET	GOMMA EPDM EPDM RUBBER
7	CAPPELLO BONNET	GJS 500 GJS 500
8	VITE SCREW	ACCIAIO ZINCATO GALVANIZED STEEL
9	O-RING O-RING	GOMMA NBR NBR RUBBER
10	BOCCOLA DI TENUTA O-RING PACKING PLATE	POM (DN350-450) BRONZO ALLUMINIO (DN500-600) POM (DN350-450) ALUMINIUM BRONZE (DN500-600)
11	O-RING O-RING	GOMMA NBR NBR RUBBER
12	O-RING O-RING	GOMMA NBR NBR RUBBER
13	CUSCINETTO BEARING	—
14	COPERCHIO COVER	GJS 500 GJS 500
15	PARAPOLVERE DUSTPROOF	GOMMA NBR NBR RUBBER
16	VOLANTINO HANDWHEEL	GJS 500 GJS 500

DN	PN	G	K	D	L	H	n-ød	b	M	S	W(kg)
350	10	429	460	505	290	845	16-23	24.5	500	27	200
	16	429	470	520	290	845	16-28	26.5	500	27	205
400	10	480	515	565	310	975	16-28	24.5	640	32	240
	16	489	525	580	310	975	16-31	28	640	32	251
450	10	530	565	615	330	1080	20-28	25.5	640	32	330
	16	548	585	640	330	1080	20-31	30	640	32	355
500	10	582	620	670	350	1120	20-28	26.5	640	36	430
	16	609	650	715	350	1120	20-34	31.5	640	36	460
600	10	682	725	780	390	1330	20-31	30	640	41	705
	16	720	770	840	390	1330	20-37	36	640	41	745

RIVESTIMENTO ESTERNO/INTERNO: Polvere epossidica 3M di colore BLU RAL 5015 con spessore min 250µm.

SURFACE PROTECTION: FBE coating process with 3M epoxy resin powder of sky blue color RAL 5015 and minimum thickness of 250µm.