

PN 10 - Art. A022 TIS1

PN 16 - Art. A023 TIS1

SARACINESCA CUNEO GOMMATO PN10/16 CORPO OVALE

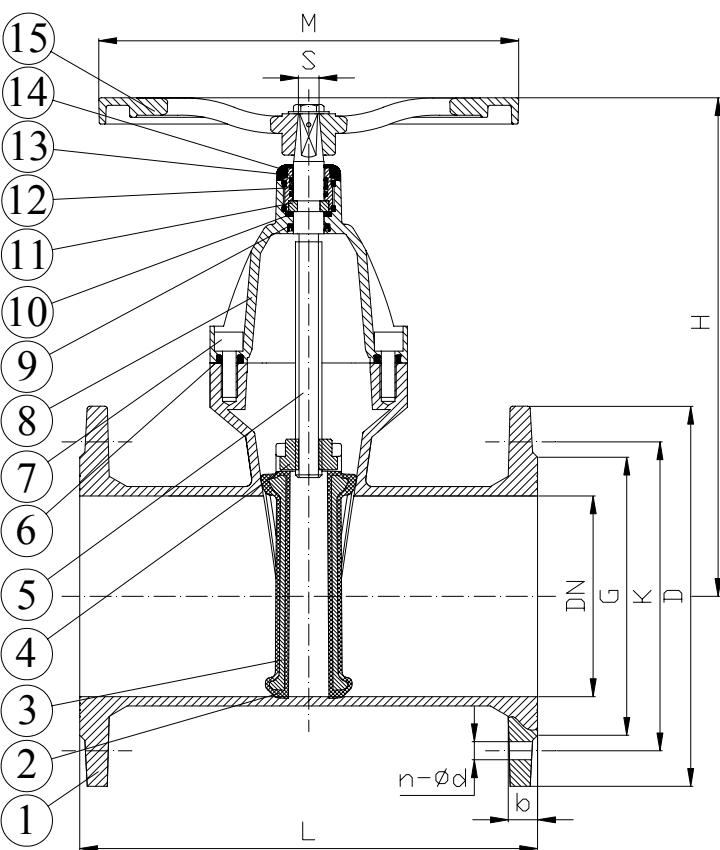
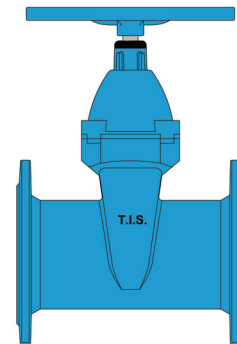
SOFT SEATED GATE VALVE PN10/16 LONG BODY

APPLICAZIONE:

Fornitura e distribuzione acqua, trattamento acque reflue e sistemi fognari, settori industriali.

APPLICATION:

Water supply and distribution, waste water treatment and sewerage.



NORMA PROGETTO:

EN 1171
EN 1074-1 ed EN 1074-2

SCARTAMENTO:

EN 558-1 Serie15

FLANGE:

EN 1092-2

COLLAUDI:

EN 12266

TEMP. ESERCIZIO:

EPDM $\leq 70^{\circ}\text{C}$

DESIGN STANDARD:

EN 1171

FACE TO FACE:

EN 1074-1 and EN 1074-2

FLANGES:

EN 558-1 Serie15

TESTS:

EN 1092-2

WORKING TEMP.:

EN 12266

EPDM $\leq 70^{\circ}\text{C}$

DENOMINAZIONE PART	MATERIALI MATERIALS
1 CORPO BODY	GJS 500 GJS 500
2 RIVESTIMENTO CUNEO WEDGE	GOMMA EPDM EPDM COATED
3 STRUTT. CUNEO CORE	GJS 500 GJS 500
4 MADREVITE STEM NUT	OTTONE BRASS
5 ASSE STEM	ACCIAIO INOX AISI 420 STAINLESS STEEL AISI 420
6 GUARNIZIONE GASKET	EPDM EPDM
7 VITE SCREW	ACCIAIO BRUNITO BURNISHED STEEL
8 CAPPELLO BONNET	GJS 500 GJS 500
9 GUARNIZIONE LABBRIO LIP SEAL	NBR NBR
10 RONDELLA WASHER	PVC PVC
11 ANELLO HOLDING RING	OTTONE BRASS
12 O-RING O-RING	NBR NBR
13 BOCCOLA DI TENUTA PACKING GLAND	OTTONE BRASS
14 PARAPOLVERE DUSTPROOF	NBR NBR
15 VOLANTINO HANDWHEEL	GJS 500 GJS 500

DN	G	K		D		L	H	n-ød		b	M	S	W (kg)
		PN10	PN16	PN10	PN16			PN10	PN16				
40	84	110	110	150	150	240	203	4-19	4-19	19	200	14	9
50	98	125	125	165	165	250	203	4-19	4-19	19	200	14	10.5
65	118	145	145	185	185	270	223	4-19	4-19	19	254	17	13.5
80	132	160	160	200	200	280	250	4-19	8-19	19	254	17	15.5
100	156	180	180	220	220	300	286	8-19	8-19	20	315	19	22
125	184	210	210	250	250	325	313	8-19	8-19	20	315	19	26
150	211	240	240	285	285	350	374	8-23	8-23	22	315	19	37
200	260	295	295	340	340	400	483	8-23	12-23	22	406	24	59
250	319	350	355	395	405	450	607	12-23	12-28	22	500	27	90
300	370	400	410	445	460	500	620	12-23	12-28	25	500	27	126

RIVESTIMENTO ESTERNO/INTERNO: Polvere epossidica 3M di colore BLU RAL 5015 con spessore min 250µm.
SURFACE PROTECTION: FBE coating process with 3M epoxy resin powder of sky blue color RAL 5015 and minimum thickness of 250µm.