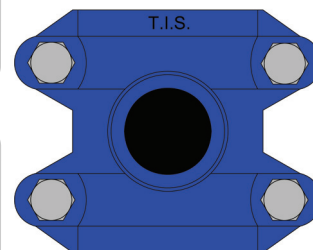


**COLLARE DI DERIVAZIONE MODELLO "MANICOTTO" CON USCITA FILETTATA**  
**SADDLE FOR PE-PIPES WITH THREADED OUTLET**

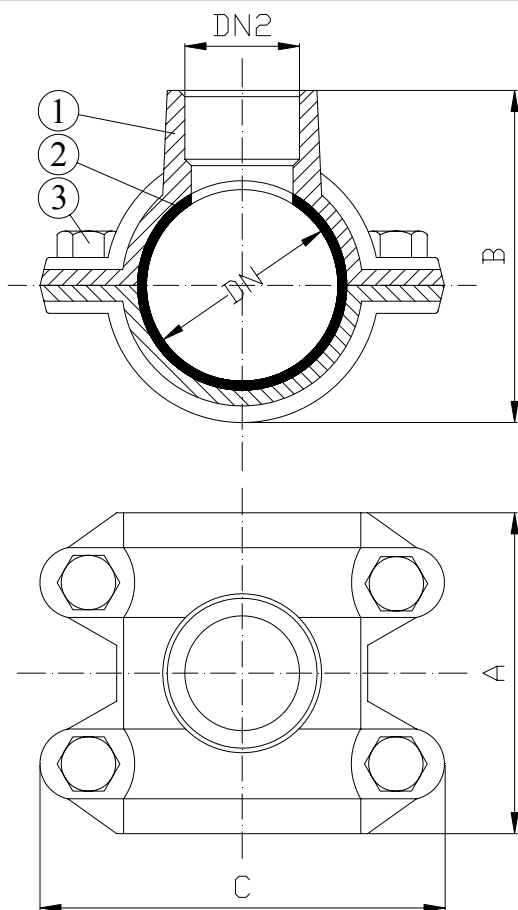


**APPLICAZIONE:**

Collegamento di tubi per acqua di diverso diametro esterno e materiale.

**APPLICATION:**

Water pipes connettions.



**USCITA:** Filettatura GAS Femmina  
**OUTLET:** GAS Female Threaded

| DENOMINAZIONE<br>PART   | MATERIALI<br>MATERIALS           |
|-------------------------|----------------------------------|
| 1 CORPO<br>BODY         | GHISA SFEROIDALE<br>DUCTILE IRON |
| 2 GUARNIZIONE<br>GASKET | GOMMA EPDM<br>EPDM RUBBER        |
| 3 VITE<br>SCREW         | ACCIAIO<br>STEEL                 |

**RIVESTIMENTO ESTERNO/INTERNO:** Polvere epossidica di colore BLU RAL 5005 con spessore min 250µm.  
**SURFACE PROTECTION:** FBE coating process with epoxy resin powder of sky blue color RAL 5005 and minimum thickness of 250µm.

|     |     |     |        |        |     |     |        |        |     |     |        |        |     |     |        |        |
|-----|-----|-----|--------|--------|-----|-----|--------|--------|-----|-----|--------|--------|-----|-----|--------|--------|
| DN  | 50  | 63  | 63     | 63     | 63  | 75  | 75     | 75     | 75  | 90  | 90     | 90     | 90  | 110 | 110    | 110    |
| DN2 | 1"  | 1"  | 1 1/4" | 1 1/2" | 2"  | 1"  | 1 1/4" | 1 1/2" | 2"  | 1"  | 1 1/4" | 1 1/2" | 2"  | 1"  | 1 1/4" | 1 1/2" |
| A   | 100 | 100 | 100    | 100    | 100 | 100 | 100    | 100    | 100 | 100 | 100    | 100    | 100 | 110 | 110    | 110    |
| B   | 84  | 97  | 97     | 97     | 97  | 111 | 111    | 111    | 111 | 124 | 124    | 124    | 124 | 148 | 148    | 148    |
| C   | 116 | 120 | 120    | 120    | 120 | 134 | 134    | 134    | 134 | 148 | 148    | 148    | 148 | 174 | 174    | 174    |

|     |     |     |        |        |     |     |        |        |     |     |        |        |     |     |        |     |
|-----|-----|-----|--------|--------|-----|-----|--------|--------|-----|-----|--------|--------|-----|-----|--------|-----|
| DN  | 110 | 125 | 125    | 125    | 125 | 140 | 140    | 140    | 140 | 160 | 160    | 160    | 160 | 180 | 200    | 200 |
| DN2 | 2"  | 1"  | 1 1/4" | 1 1/2" | 2"  | 1"  | 1 1/4" | 1 1/2" | 2"  | 1"  | 1 1/4" | 1 1/2" | 2"  | 2"  | 1 1/4" | 2"  |
| A   | 110 | 110 | 110    | 110    | 110 | 110 | 110    | 110    | 110 | 125 | 125    | 125    | 125 | 125 | 125    | 125 |
| B   | 148 | 164 | 164    | 164    | 164 | 178 | 178    | 178    | 178 | 209 | 209    | 209    | 209 | 230 | 251    | 251 |
| C   | 174 | 188 | 188    | 188    | 188 | 215 | 215    | 215    | 215 | 226 | 226    | 226    | 226 | 252 | 281    | 281 |