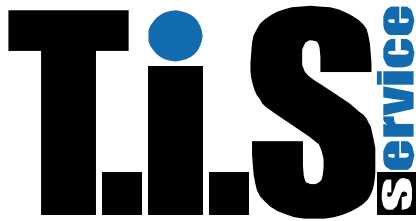


SOFT SEATED GATE VALVE



- PN 10 Serie 14 - Art. A020 PMOT
- PN 16 Serie 14 - Art. A021 PMOT
- PN 10 Serie 15 - Art. A022 PMOT
- PN 16 Serie 15 - Art. A023 PMOT

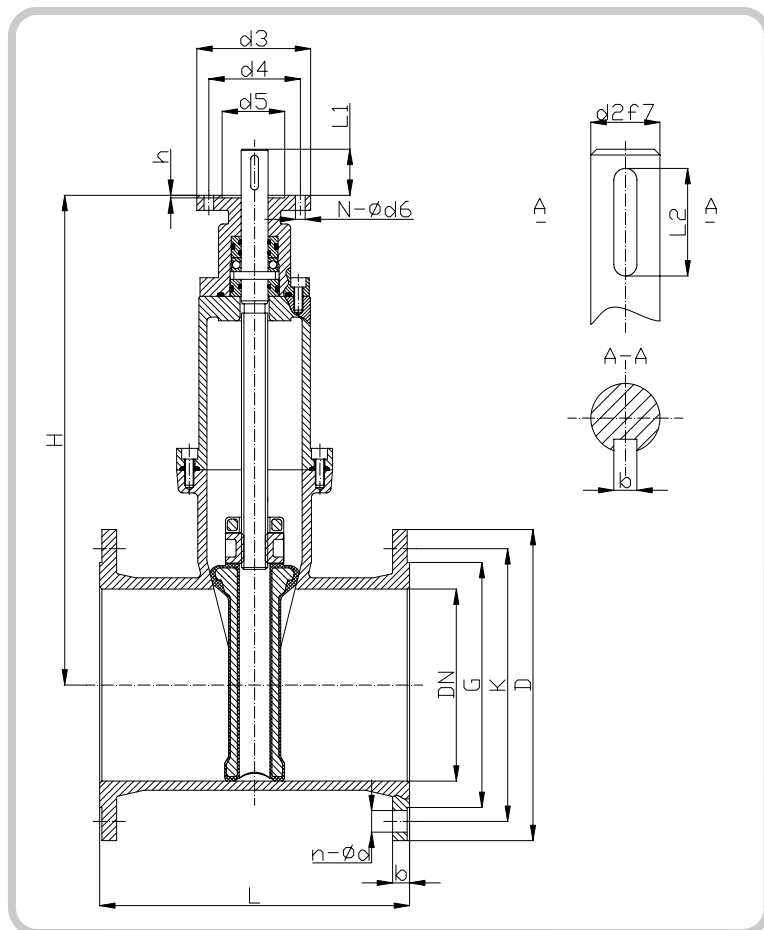
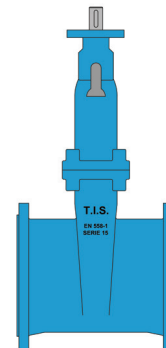
SARACINESCA CUNEO GOMMATO PREDISPOSTA PER LA MOTORIZZAZIONE
SOFT SEATED GATE VALVE WITH MOTOR DRIVE PREARRANGEMENT

APPLICAZIONE:

Fornitura e distribuzione acqua, trattamento acque reflue e sistemi fognari, settori industriali.

APPLICATION:

Water supply and distribution, waste water treatment and sewerage.



NORMA PROGETTO:

EN 1171
 EN 1074-1 ed EN 1074-2

SCARTAMENTO:

EN 558-1 Serie14-15

FLANGE:

EN 1092-2

COLLAUDI:

EN 12266

TEMP. ESERCIZIO:

EPDM ≤ 70°C

DESIGN STANDARD:

EN 1171
 EN 1074-1 and EN 1074-2

FACE TO FACE:

EN 558-1 Serie14-15

FLANGES:

EN 1092-2

TESTS:

EN 12266

WORKING TEMP.:

EPDM ≤ 70°C

VALORI DI COPPIA PER PN16

TORQUE VALUES FOR PN16

DN	COPPIA/TORQUE (Nm)	DN	COPPIA/TORQUE (Nm)
50	45	250	180
65	50	300	260
80	65	350	280
100	80	400	310
125	90	450	450
150	100	500	510
200	120	600	600

RIVESTIMENTO ESTERNO/INTERNO: Polvere epossidica 3M di colore BLU RAL 5015 con spessore min 250µm.

SURFACE PROTECTION: FBE coating process with 3M epoxy resin powder of sky blue color RAL 5015 and minimum thickness of 250µm.

DN	G		K		D		L	S14	S15	H	n-ød		d2	d3	d4	d5	N-d6	L1	L2	b	h	AUMA actuator
	PN10	PN16	PN10	PN16	PN10	PN16					PN10	PN16										
50	99	99	125	125	165	165	150	250	228	228	4-19	4-19	20	125	102	71	4-ø12	45	36	6	4	SA07.5
65	118	118	145	145	185	185	170	270	250	250	4-19	4-19	20	125	102	71	4-ø12	45	36	6	4	SA07.5
80	132	132	160	160	200	200	180	280	282	282	4-19	8-19	22	125	102	71	4-ø12	45	36	6	4	SA10.1
100	156	156	180	180	220	220	190	300	320	320	8-19	8-19	22	125	102	71	4-ø12	45	36	6	4	SA10.1
125	184	184	210	210	250	250	200	325	400	400	8-19	8-19	22	125	102	71	4-ø12	45	36	6	4	SA10.1
150	211	211	240	240	290	290	210	350	425	425	8-23	8-23	24	175	140	100	4-ø18	50	40	8	5	SA14.1
200	266	266	295	295	340	340	230	400	526	526	8-23	12-23	28	175	140	100	4-ø18	50	40	8	5	SA14.1
250	319	319	350	355	395	405	250	450	610	610	12-23	12-28	32	175	140	100	4-ø18	55	40	10	5	SA14.5
300	370	370	400	410	445	460	270	500	756	756	12-23	12-28	40	175	140	100	4-ø18	60	50	12	5	SA14.5
350	429	429	460	470	505	520	290	550	942	942	16-23	16-28	40	175	140	100	4-ø18	60	50	12	5	SA14.5
400	480	489	515	525	565	580	310	600	1010	1010	16-28	16-31	45	175	140	100	4-ø18	60	50	14	5	SA14.5
450	530	548	565	585	615	640	330	650	1078	1078	20-28	20-31	45	175	140	100	4-ø18	60	50	14	5	SA14.5
500	582	609	620	650	670	715	350	700	1152	1152	20-28	20-34	50	210	165	131	4-ø22	75	63	14	6	SA16.1
600	682	720	725	770	780	840	390	800	1342	1342	20-31	20-37	50	210	165	131	4-ø22	75	63	14	6	SA16.1