

Art. G032 TIS

FILTRO A "Y" PN16

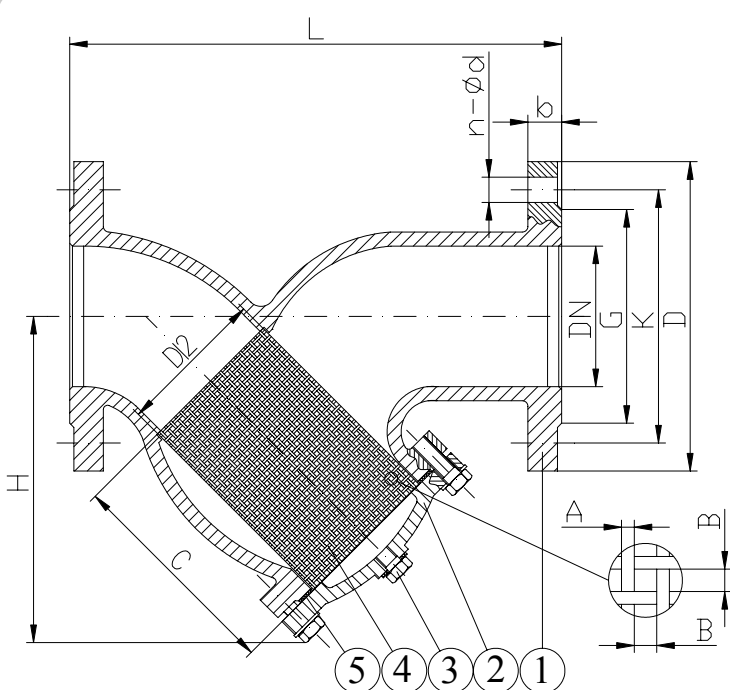
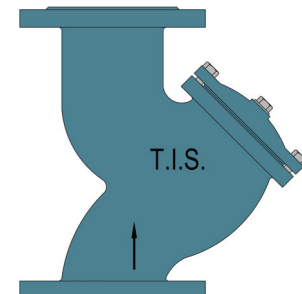
STRAINER "Y" TYPE PN16

**APPLICAZIONE:**

Installazione per acqua, vapore e fluidi non aggressivi.

**APPLICATION:**

Suitable for water installation and not acidic fluids installation.



**NORMA PROGETTO:** EN 1074  
**SCARTAMENTO:** EN 558-1 Serie1  
**FLANGE:** EN 1092-2  
**COLLAUDI:** EN 12266  
**TEMP. ESERCIZIO:** ≤120°C  
**DESIGN STANDARD:** EN 1074  
**FACE TO FACE:** EN 558-1 Serie1  
**FLANGES:** EN 1092-2  
**TESTS:** EN 12266  
**WORKING TEMP.:** ≤120°C

DENOMINAZIONE PART	MATERIALI MATERIALS
1 CORPO BODY	GJL 250 GJL 250
2 COPERCHIO COVER	GJL 250 GJL 250
3 SPINOTTO PLUG	ACCIAIO STEEL
4 FILTRO FILTER	ACCIAIO INOX STAINLESS STEEL
5 GUARNIZIONE GASKET	GRAFITE GRAPHITE

COLORE: Blu RAL 5000.

COLOUR: Blue RAL 5000.

DN	15	20	25	32	40	50	65	80	100	125	150	200	250	300	350	400
L	130	150	160	180	200	230	290	310	350	400	480	600	730	850	980	1100
H	72	80	90	105	105	170	205	210	235	270	310	390	430	500	595	673
D	95	105	115	140	150	165	185	200	220	250	285	340	405	460	520	580
K	65	75	85	100	110	125	145	160	180	210	240	295	355	410	470	525
G	47	58	68	78	88	102	122	138	158	188	212	268	320	378	438	490
b	14	16	16	18	18	20	20	22	24	26	26	30	32	32	36	38
n-ød	4-14	4-14	4-14	4-19	4-19	4-19	4-19	8-19	8-19	8-19	8-23	12-23	12-23	12-28	16-28	16-31
A	0.5	0.5	0.5	0.5	0.5	0.5	0.9	0.9	0.9	0.9	0.9	0.9	0.9	0.9	0.9	0.9
BxB	1	1	1	1	1	1	1.6	1.6	1.6	1.6	1.6	2.4	2.4	2.4	2.4	2.4
C	58	64	69	89	99	134	168	143	155	197	235	317	325	385	495	563
D2	17	24	29	36	44	54	68	88	106	133	158	208	238	278	342	412
W (kg)	2.2	3.3	4.6	6	7.2	11.5	16.5	19	25	36	50	89	136	207	294	391