

T.I.S. SERVICE

PN 10 - Art. D114 EPDM Q

PN 10 - Art. D114 NBR Q

PN 10 - Art. D116 EPDM Q

PN 10 - Art. D116 NBR Q

VALVOLA A FARFALLA LUG PN10

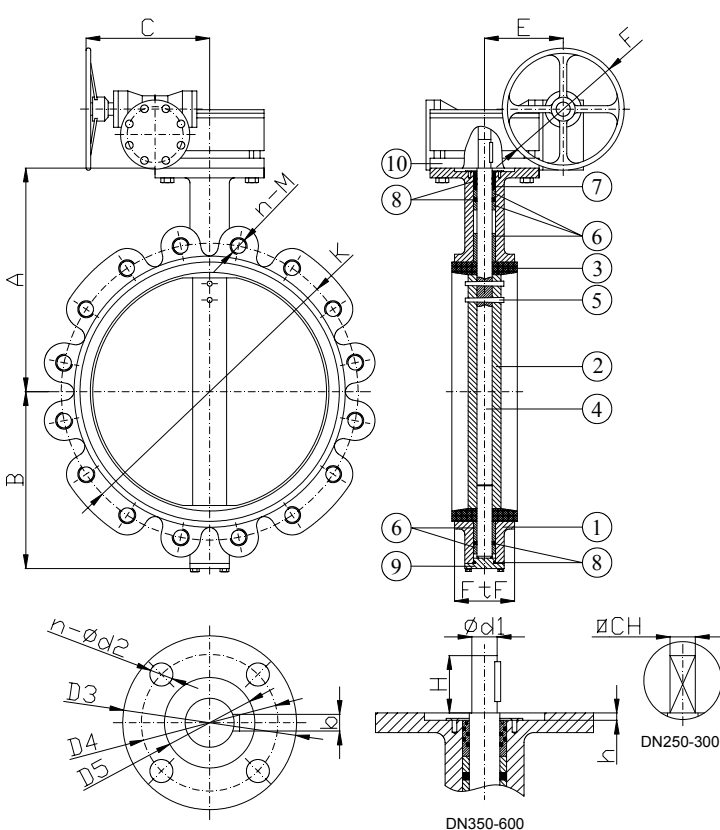
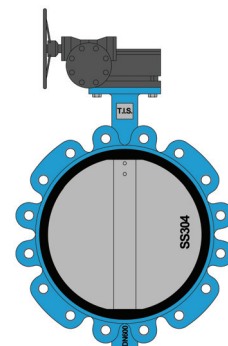
LUG BUTTERFLY VALVE PN10

APPLICAZIONE:

Impianti idrici, riscaldamento, condizionamento e antincendio.

APPLICATION:

Water systems, heating, conditioning and fire prevention.



RIVESTIMENTO ESTERNO/INTERNO: Polvere epossidica 3M di colore BLU RAL 5015 con spessore min 250µm.

SURFACE PROTECTION: FBE coating process with 3M epoxy resin powder of sky blue color RAL 5015 and minimum thickness of 250µm.

NORMA PROGETTO:	EN 593
SCARTAMENTO:	EN 558-1 Serie20
FLANGE:	EN 1092-2
COLLAUDI:	EN 12266
FLANGIA SUPERIORE:	ISO 5211
TEMPERATURA ES:	EPDM ≤ 120°C NBR ≤ 80°C
DESIGN STANDARD:	EN 593
FACE TO FACE:	EN 558-1 Serie20
FLANGES:	EN 1092-2
TESTS:	EN 12266
TOP FLANGE:	ISO 5211
WORKING TEMP:	EPDM ≤ 120°C NBR ≤ 80°C

DENOMINAZIONE PART

MATERIALI MATERIALS

	Art. D114	Art. D116
1 CORPO BODY	GJL 250 GJL 250	GJS 400 GJS 400
2 DISCO DISC	GJS 400 GJS 400	INOX AISI 304 SS AISI 304
3 TENUTA SEAT	NBR o EPDM NBR or EPDM	
4 ALBERO STEM	ACCIAIO INOX AISI 420 SS AISI 420	
5 PIN PIN	ACCIAIO INOX AISI 420 SS AISI 420	
6 BOCCOLA BUSHING	PTFE PTFE	
7 BOCCOLA DI TENUTA SEAL BUSH	BRONZO/ALLUMINIO ALUMINIUM/BRONZE	
8 O-RING O-RING	NBR NBR	
9 COPERCHIO COVER	GJL 250 GJL 250	GJS 400 GJS 400
10 RIDUTTORE GEAR BOX	GHISA GRIGIA CAST IRON	

DN	K	n-M	D3	D4	D5	n-ød2	h	CH	ød1	b	H	A	B	C	E	F	FtF	W (kg)
250	350	12-M20	125	102	70	4-12	4	22	-	-	45	292	203	250	63	300	68	38
300	400	12-M20	140	102	70	4-12	4	22	-	-	45	337	242	227	80	300	78	53
350	460	16-M20	150	125	80	4-14	4	-	28	8	45	368	267	227	80	300	78	77
400	515	16-M24	197	140	100	4-18	5	-	36	10	52	400	309	278	179	300	102	117
450	565	20-M24	197	140	100	4-18	5	-	42	10	52	422	328	278	179	300	114	149
500	620	20-M24	197	140	100	4-18	5	-	42	10	65	480	361	278	179	300	127	232
600	725	20-M27	276	165	130	4-22	5	-	50	16	70	562	459	304	198	300	154	312