

## WAFER BUTTERFLY VALVE

# Ti.S

Service

PN 10/16 - Art. D104 EPDM Q

PN 10/16 - Art. D104 NBR Q

PN 10/16 - Art. D106 EPDM Q

PN 10/16 - Art. D106 NBR Q

## VALVOLA A FARFALLA WAFER PN10/16

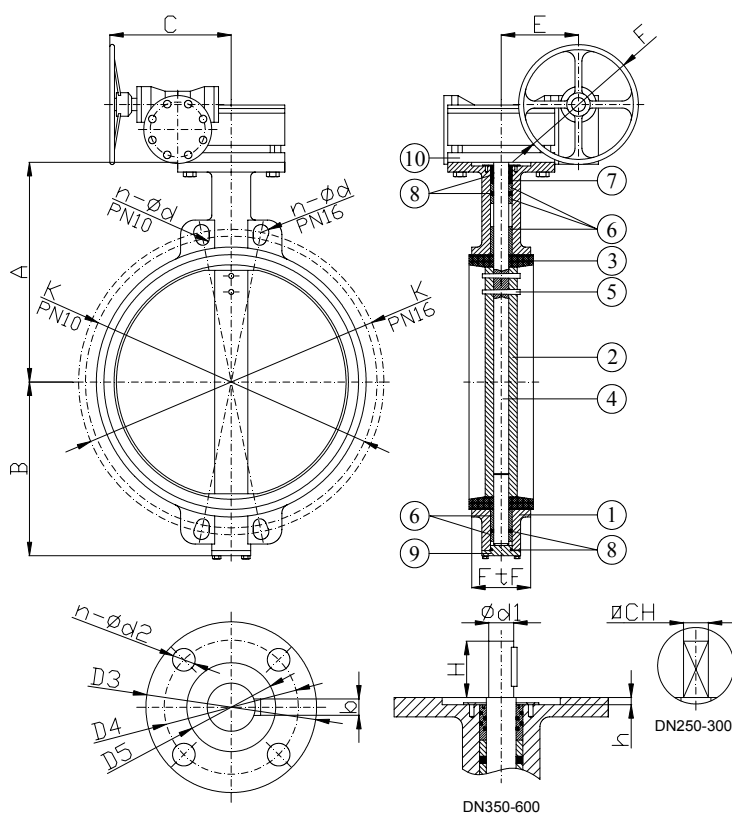
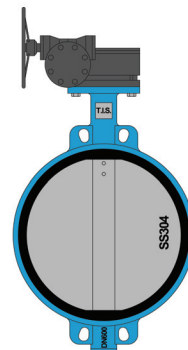
## WAFER BUTTERFLY VALVE PN10/16

## APPLICAZIONE:

Impianti idrici, riscaldamento, condizionamento e antincendio.

## APPLICATION:

Water systems, heating, conditioning and fire prevention.



<b>NORMA PROGETTO:</b>	EN 593
<b>SCARTAMENTO:</b>	EN 558-1 Serie20
<b>FLANGE:</b>	EN 1092-2
<b>COLLAUDI:</b>	EN 12266
<b>FLANGIA SUPERIORE:</b>	ISO 5211
<b>TEMPERATURA ES:</b>	EPDM ≤ 120°C NBR ≤ 80°C
<b>DESIGN STANDARD:</b>	EN 593
<b>FACE TO FACE:</b>	EN 558-1 Serie20
<b>FLANGES:</b>	EN 1092-2
<b>TESTS:</b>	EN 12266
<b>TOP FLANGE:</b>	ISO 5211
<b>WORKING TEMP:</b>	EPDM ≤ 120°C NBR ≤ 80°C

DENOMINAZIONE  
PARTMATERIALI  
MATERIALS

	Art. D104	Art. D106
<b>1 CORPO BODY</b>	GJL 250 GJL 250	GJS 400 GJS 400
<b>2 DISCO DISC</b>	GJS 400 GJS 400	INOX AISI 304 SS AISI 304
<b>3 TENUTA SEAT</b>	NBR o EPDM NBR or EPDM	
<b>4 ALBERO STEM</b>	ACCIAIO INOX AISI 420 SS AISI 420	
<b>5 PIN PIN</b>	ACCIAIO INOX AISI 420 SS AISI 420	
<b>6 BOCCOLA BUSHING</b>	PTFE PTFE	
<b>7 BOCCOLA DI TENUTA SEAL BUSH</b>	BRONZO/ALLUMINIO ALUMINIUM/BRONZE	
<b>8 O-RING O-RING</b>	NBR NBR	
<b>9 COPERCHIO COVER</b>	GJL 250 GJL 250	GJS 400 GJS 400
<b>10 RIDUTTORE GEAR BOX</b>	GHISA GRIGIA CAST IRON	

**RIVESTIMENTO ESTERNO/INTERNO:** Polvere epossidica 3M di colore BLU RAL 5015 con spessore min 250µm.

**SURFACE PROTECTION:** FBE coating process with 3M epoxy resin powder of sky blue color RAL 5015 and minimum thickness of 250µm.

DN	K		n-ød		D3	D4	D5	n-ød2	h	CH	ød1	b	H	A	B	C	E	F	FtF	W (kg)
	PN10	PN16	PN10	PN16																
250	350	355	12-23	12-28	125	102	70	4-12	4	22	-	-	45	292	203	250	63	300	68	26
300	400	410	12-23	12-28	140	102	70	4-12	4	22	-	-	45	337	242	227	80	300	78	38
350	460	470	16-23	16-28	150	125	85	4-14	4	-	28	8	45	368	267	227	80	300	78	50
400	515	525	16-28	16-31	197	140	100	4-18	5	-	36	10	52	400	309	278	179	300	102	82
450	565	585	20-28	20-31	197	140	100	4-18	5	-	42	10	52	422	328	278	179	300	114	100
500	620	650	20-28	20-34	197	140	100	4-18	5	-	42	10	65	480	361	278	179	300	127	144
600	725	770	20-31	20-37	276	165	130	4-22	5	-	50	16	70	562	459	304	198	300	154	249