

WAFER BUTTERFLY VALVE

T.i.S. Service

PN 10/16 - Art. D104 EPDM Q

PN 10/16 - Art. D104 NBR Q

PN 10/16 - Art. D106 EPDM Q

PN 10/16 - Art. D106 NBR Q

VALVOLA A FARFALLA WAFER PN10/16

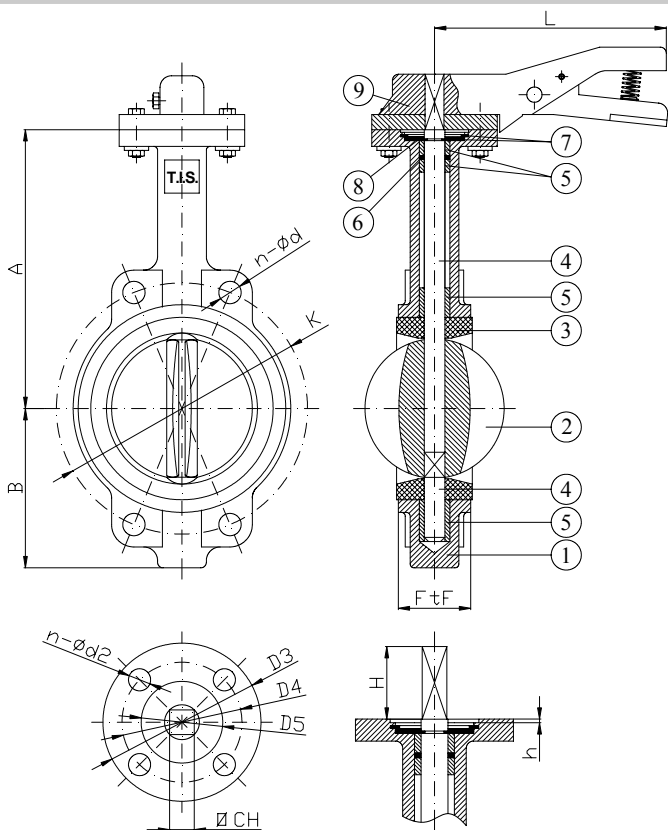
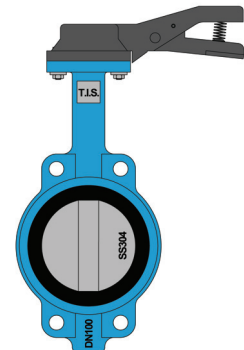
WAFER BUTTERFLY VALVE PN10/16

APPLICAZIONE:

Impianti idrici, riscaldamento, condizionamento e antincendio.

APPLICATION:

Water systems, heating, conditioning and fire prevention.



NORMA PROGETTO:	EN 593
SCARTAMENTO:	EN 558-1 Serie20
FLANGE:	EN 1092-2
COLLAUDI:	EN 12266
FLANGIA SUPERIORE:	ISO 5211
TEMP. ESERCIZIO:	EPDM ≤ 120°C NBR ≤ 80°C
DESIGN STANDARD:	EN 593
FACE TO FACE:	EN 558-1 Serie20
FLANGES:	EN 1092-2
TESTS:	EN 12266
TOP FLANGE:	ISO 5211
WORKING TEMP.:	EPDM ≤ 120°C NBR ≤ 80°C

DENOMINAZIONE
PARTMATERIALI
MATERIALS

	Art. D104	Art. D106
1 CORPO BODY	GJL 250 GJL 250	GJS 400 GJS 400
2 DISCO DISC	GJS 400 GJS 400	INOX AISI 304 SS AISI 304
3 TENUTA SEAT	NBR o EPDM NBR or EPDM	
4 ALBERO STEM	ACCIAIO INOX AISI 420 SS AISI 420	
5 BOCCOLA BUSHING	PTFE PTFE	
6 O-RING O-RING	NBR NBR	
7 SIEGER SIEGER	ACCIAIO STEEL	
8 RONDELLA WASHER	ACCIAIO INOX AISI 304 SS AISI 304	
9 LEVA LEVER	GHISA GRIGIA CAST IRON	

RIVESTIMENTO ESTERNO/INTERNO: Polvere epossidica 3M di colore BLU RAL 5015 con spessore min 250µm.

SURFACE PROTECTION: FBE coating process with 3M epoxy resin powder of sky blue color RAL 5015 and minimum thickness of 250µm.

DN	K	n-ød		D3	D4	D5	n-ød2	h	CH	H	A	B	L	FtF	W(kg)
		PN10	PN16												
40	110	4-19	4-19	70	50	35	4-7	3	9	32	140	70	210	33	2.6
50	125	4-19	4-19	90	70	50	4-9	4	11	32	161	80	210	42	3.4
65	145	4-19	4-19	90	70	50	4-9	4	11	32	175	89	210	46	4.2
80	160	4-19	8-19	90	70	50	4-9	4	11	32	181	95	210	46	4.4
100	180	8-19	8-19	90	70	50	4-9	4	14	35	200	114	210	52	5.6
125	210	8-19	8-19	90	70	50	4-9	4	14	35	213	127	260	55	6.9
150	240	8-23	8-23	90	70	50	4-9	4	14	35	226	139	260	56	8.7
200	295	8-23	12-23	125	102	70	4-12	4	17	40	270	165	260	62	14.7