

SOFT SEATED GATE VALVE



- PN 10 Serie 14 - Art. A020
- PN 16 Serie 14 - Art. A021
- PN 10 Serie 15 - Art. A022
- PN 16 Serie 15 - Art. A023

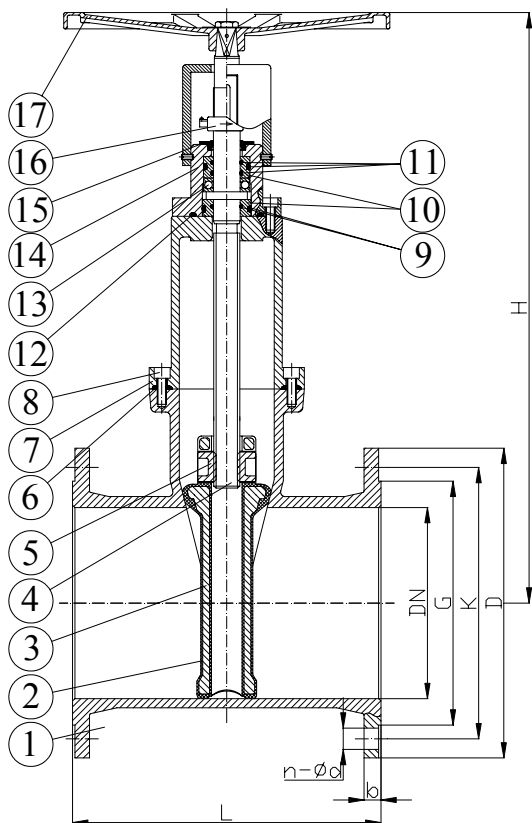
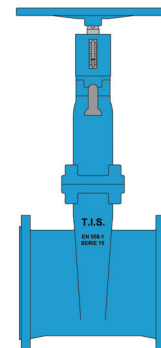
**SARACINESCA CUNEO GOMMATO CON INDICATORE DI POSIZIONE**  
**SOFT SEATED GATE VALVE WITH MECHANICAL POSITION INDICATOR**

**APPLICAZIONE:**

Fornitura e distribuzione acqua, trattamento acque reflue e sistemi fognari, settori industriali.

**APPLICATION:**

Water supply and distribution, waste water treatment and sewerage.



**NORMA PROGETTO:**

EN 1171  
 EN1074-1 ed EN 1074-2

**SCARTAMENTO:**

EN 558-1 Serie14-15

**FLANGE:**

EN 1092-2

**COLLAUDI:**

EN 12266

**TEMP. ESERCIZIO:**

EPDM ≤ 70°C

**DESIGN STANDARD:**

EN 1171  
 EN1074-1 and EN 1074-2

**FACE TO FACE:**

EN 558-1 Serie14-15

**FLANGES:**

EN 1092-2

**TESTS:**

EN 12266

**WORKING TEMP.:**

EPDM ≤ 70°C

**DENOMINAZIONE PART**

**MATERIALI MATERIALS**

1	CORPO BODY	GJS 500 GJS 500
2	RIVESTIMENTO CUNEO WEDGE	GOMMA EPDM EPDM COATED
3	STRUTT. CUNEO CORE	GJS 500 GJS 500
4	ASSE STEM	ACCIAIO INOX AISI 420 STAINLESS STEEL AISI 420
5	MADREVITE STEM NUT	BRONZO ALLUMINIO ALUMINIUM BRONZE
6	GUARNIZIONE GASKET	GOMMA EPDM EPDM RUBBER
7	CAPPELLO BONNET	GJS 500 GJS 500
8	VITE SCREW	ACCIAIO ZINCATO GALVANIZED STEEL
9	O-RING O-RING	GOMMA NBR NBR RUBBER
10	BOCCOLA DI TENUTA O-RING PACKING PLATE	POM (DN350-450) BRONZO ALLUMINIO (DN500-600) POM (DN350-450) ALUMINIUM BRONZE (DN500-600)
11	O-RING O-RING	GOMMA NBR NBR RUBBER
12	O-RING O-RING	GOMMA NBR NBR RUBBER
13	CUSCINETTO BEARING	—
14	COPERCHIO COVER	GJS 500 GJS 500
15	PARAPOLVERE DUSTPROOF	GOMMA NBR NBR RUBBER
16	INDICATORE INDICATOR	BRONZO ALLUMINIO ALUMINIUM BRONZE
17	VOLANTINO HANDWHEEL	GJS 500 GJS 500

DN	G		K		D		L		H	n-ød		b		W (kg)			
	PN 10	PN 16	PN 10	PN 16	PN 10	PN 16	S 14	S 15		PN 10	PN 16	PN 10	PN 16	PN 10	PN 16	PN 10	PN 16
50	99	99	125	125	165	165	150	250	260	4-19	4-19	19	19	13	13	15	15
65	118	118	145	145	185	185	170	270	270	4-19	4-19	19	19	15	15	18	18
80	132	132	160	160	200	200	180	280	310	8-19	8-19	19	19	20	20	24	24
100	156	156	180	180	220	220	190	300	340	8-19	8-19	19	19	28	28	32	32
125	184	184	210	210	250	250	200	325	450	8-19	8-19	19	19	44	44	48	48
150	211	211	240	240	285	285	210	350	460	8-23	8-23	19	19	50	50	56	56
200	266	266	295	295	340	340	230	400	570	8-23	12-23	20	20	82	85	90	96
250	319	319	400	410	395	405	250	450	660	12-23	12-23	22	22	125	132	140	152
300	370	370	565	585	445	460	270	500	770	12-23	12-28	24.5	24.5	170	178	191	210
350	429	429	460	470	505	520	290	550	870	16-23	16-28	24.5	26.5	218	228	250	265
400	480	489	515	525	565	580	310	600	1010	16-28	16-31	24.5	28	288	304	320	340
450	530	548	565	585	615	640	330	650	1080	20-28	20-31	25.5	30	378	394	410	430
500	582	609	620	650	670	715	350	700	1180	20-28	20-34	26.5	31.5	498	518	530	560
600	682	720	725	770	840	725	390	800	1345	20-31	20-37	30	36	635	670	680	715

**RIVESTIMENTO ESTERNO/INTERNO:** Polvere epossidica 3M di colore BLU RAL 5015 con spessore min 250µm.  
**SURFACE PROTECTION:** FBE coating process with 3M epoxy resin powder of sky blue color RAL 5015 and minimum thickness of 250µm.