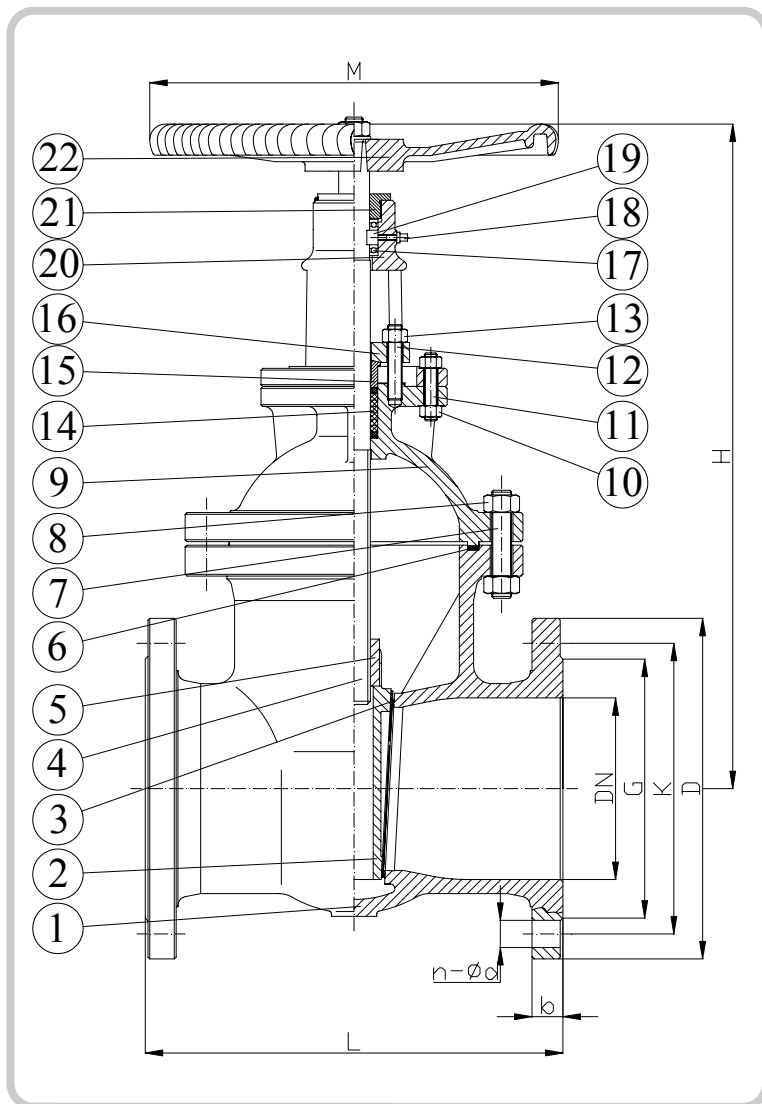
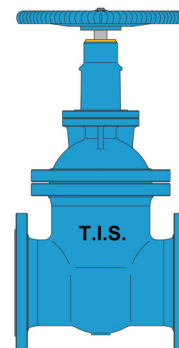


**SARACINESCA IN ACCIAIO, VITE INTERNA, PN40**  
**CAST STEEL GATE VALVE, NON RISING STEM, PN40**

**APPLICAZIONE:**  
Acqua, gas, olio etc...

**APPLICATION:**  
Water, gas, oil etc...



**NORMA PROGETTO:** DIN 3356  
**SCARTAMENTO:** EN 558-1 Serie26  
**FLANGE:** EN 1092-1  
**COLLAUDI:** EN 12266  
**TEMP. ESERCIZIO:** -29°C +425°C  
**DESIGN STANDARD:** DIN 3356  
**FACE TO FACE:** EN 558-1 Serie26  
**FLANGES:** EN 1092-1  
**TESTS:** EN 12266  
**WORKING TEMP.:** -29°C +425°C

DENOMINAZIONE PART	MATERIALI MATERIALS
1 CORPO BODY	ASTM A216 WCB ASTM A216 WCB
2 CUNEO DISC	ASTM A216 WCB ASTM A216 WCB
3 TENUTA SEAT	ACCIAIO INOX 13Cr SS 13Cr
4 ASSE STEM	ACC. INOX AISI 420 SS AISI 420
5 MADREVITE STEM NUT	BRONZO ALLUMINIO ALUMINIUM BRONZE
6 GUARNIZIONE GASKET	ACC. INOX AISI 304+GRAFITE SS AISI 304+GRAPHITE
7 VITE BOLT	ASTM A193 B7 ASTM A193 B7
8 DADO NUT	ASTM A194 2H ASTM A194 2H
9 CAPPELLO BONNET	ASTM A216 WCB ASTM A216 WCB
10 VITE BOLT	ASTM A193 B7 ASTM A193 B7
11 DADO NUT	ASTM A194 2H ASTM A194 2H
12 VITE BOLT	ASTM A193 B7 ASTM A193 B7
13 DADO NUT	ASTM A194 2H ASTM A194 2H
14 GUARNIZIONE GASKET	GRAFITE GRAPHITE
15 ANELLO GLAND	ASTM A182 F6a ASTM A182 F6a
16 PREMISTOPPA PACKING GLAND	ASTM A216 WCB ASTM A216 WCB
17 CUSCINETTO BEARING	—
18 TAPPO PLUG	OTTONE BRASS
19 ANELLO HOLDING RING	ASTM A276 ASTM A276
20 STAFFA YOKE	ASTM A216 WCB ASTM A216 WCB
21 BOCCOLA PACKING	ASTM A1035 ASTM A1035
22 VOLANTINO HANDWHEEL	ASTM A536 ASTM A536

DN	G	K	D	L	H	M	n-ød	b	W (kg)
200	285	320	375	550	744	450	12-30	34	205
250	345	385	450	650	864	500	12-33	38	328
300	410	450	515	750	948	550	16-33	42	455

**RIVESTIMENTO ESTERNO/INTERNO:** Polvere epossidica di colore BLU RAL 5005 con spessore min 250µm.  
**SURFACE PROTECTION:** Epoxy coating of sky blue color RAL 5005 and minimum thickness of 250µm.