

PRESA A STAFFA DOPPIA CON ANELLO INOX

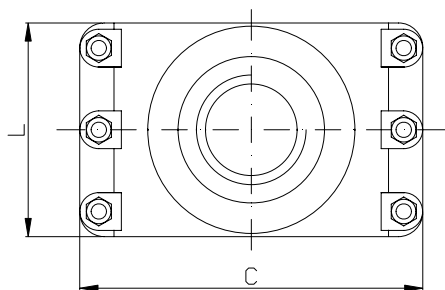
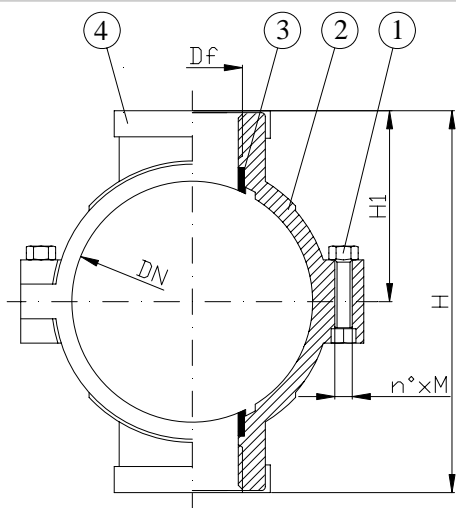
DOUBLE CLAMP SADDLE WITH METAL STIFFENING

APPLICAZIONE:

Impianti di trasporto acqua potabile, convogliamento fluidi alimentari, sistemi antincendio, impianti in pressione ed irrigazione.

APPLICATION:

Conveyance of drinking water, liquid for foodstuffs, fire protection system, under pressure pipelines, irrigation system.



**DENOMINAZIONE
PART**

**MATERIALI
MATERIALS**

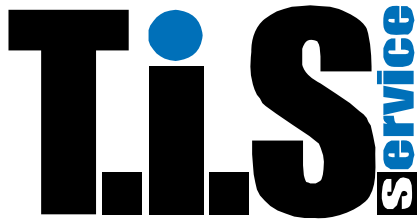
1	BULLONI E DADI BOLTS AND NUTS	ACCIAIO INOX STAINLESS STEEL
2	CORPO BODY	POLIPROPILENE PP-B POLYPROPYLENE PP-B
3	GUARNIZIONE GASKET	NBR NBR
4	GHIERA REINFORCED RING	ACCIAIO INOX STAINLESS STEEL

TEMPERATURA ESERCIZIO: $\leq 20^{\circ}\text{C}$

FILETTATURA : FEMMINA IN ACCORDO ALLA ISO 7/1

WORKING TEMPERATURE: $\leq 20^{\circ}\text{C}$

THREADED : FEMALE ACCORDING TO ISO 7/1



Art. 044021

DN	Df	PN	H1	H	L	C	n° x M
25	1/2"	10	36.5	73	36.5	68	2 x M6
25	3/4"	10	36.5	73	36.5	68	2 x M6
32	1/2"	10	42	84	42	80	2 x M8
32	3/4"	10	42	84	42	80	2 x M8
32	1"	10	42	84	42	80	2 x M8
40	1/2"	10	46	92	46	87	2 x M8
40	3/4"	10	46	92	46	87	2 x M8
40	1"	10	46	92	46	87	2 x M8
50	1/2"	10	51	102	51	97.5	2 x M8
50	3/4"	10	51	102	51	97.5	2 x M8
50	1"	10	51	102	51	97.5	2 x M8
50	1"1/4	10	51	102	51	97.5	2 x M8
63	1/2"	10	56	112	56	102	4 x M8
63	3/4"	10	56	112	56	102	4 x M8
63	1"	10	56	112	56	102	4 x M8
63	1"1/4	10	59	118	59	102	4 x M8
63	1"1/2	10	63	126	63	102	4 x M8
75	1/2"	10	64	128	64	116	4 x M8
75	3/4"	10	64	128	64	116	4 x M8
75	1"	10	64	128	64	116	4 x M8
75	1"1/4	10	64	128	64	116	4 x M8
75	1"1/2	10	69	138	69	116	4 x M8
75	2"	10	69	138	69	116	4 x M8
90	1/2"	10	71	142	90	134	4 x M8
90	3/4"	10	71	142	90	134	4 x M8
90	1"	10	71	142	90	134	4 x M8
90	1"1/4	10	71	142	90	134	4 x M8
90	1"1/2	10	77	154	90	134	4 x M8
90	2"	10	77	154	90	134	4 x M8

DN	Df	PN	H1	H	L	C	n° x M
110	1/2"	10	85	170	90	151.5	6 x M8
110	3/4"	10	85	170	90	151.5	6 x M8
110	1"	10	84.5	169	90	151.5	6 x M8
110	1"1/4	10	82.5	165	90	151.5	6 x M8
110	1"1/2	10	93.5	187	90	151.5	6 x M8
110	2"	10	84.5	169	90	151.5	6 x M8
125	1/2"	10	91.5	183	111.5	178	6 x M8
125	3/4"	10	90	180	111.5	178	6 x M8
125	1"	10	91.5	183	111.5	178	6 x M8
125	1"1/4	10	91.5	183	111.5	178	6 x M8
125	1"1/2	10	96.5	193	111.5	178	6 x M8
125	2"	10	96.5	193	111.5	178	6 x M8
125	2"1/2	10	100	200	111.5	178	6 x M8
140	1/2"	10	102	204	127	191.5	6 x M8
140	3/4"	10	100	200	127	191.5	6 x M8
140	1"	10	101	202	127	191.5	6 x M8
140	1"1/4	10	103	206	127	191.5	6 x M8
140	1"1/2	10	103	206	127	191.5	6 x M8
140	2"	10	110	220	127	191.5	6 x M8
140	2"1/2	10	110	220	127	191.5	6 x M8
140	3"	10	113.5	227	127	191.5	6 x M8
160	1/2"	10	110	220	127	210.5	6 x M8
160	3/4"	10	110	220	127	210.5	6 x M8
160	1"	10	110	220	127	210.5	6 x M8
160	1"1/4	10	110	220	127	210.5	6 x M8
160	1"1/2	10	110	220	127	210.5	6 x M8
160	2"	10	115	230	127	210.5	6 x M8
160	2"1/2	10	119	238	127	210.5	6 x M8
160	3"	10	122	244	127	210.5	6 x M8