

**PRESA A STAFFA CON ANELLO INOX**

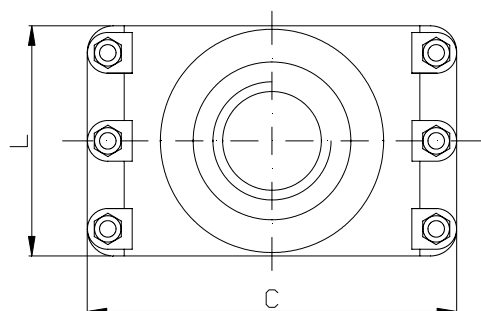
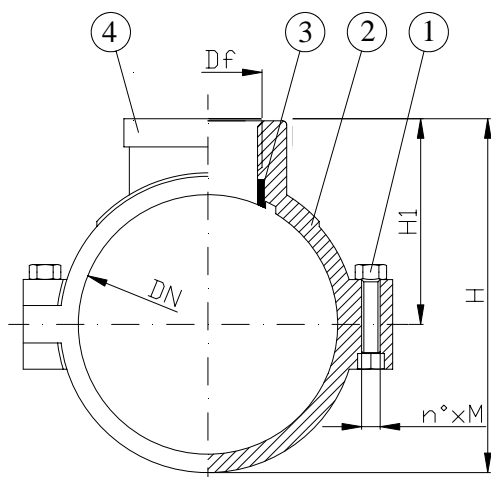
**CLAMP SADDLE WITH METAL STIFFENING**

**APPLICAZIONE:**

Impianti di trasporto acqua potabile, convogliamento fluidi alimentari, sistemi antincendio, impianti in pressione ed irrigazione.

**APPLICATION:**

Conveyance of drinking water, liquid for foodstuffs, fire protection system, under pressure pipelines, irrigation system.



**DENOMINAZIONE  
PART**

**MATERIALI  
MATERIALS**

|   |                                          |                                          |
|---|------------------------------------------|------------------------------------------|
| 1 | <b>BULLONI E DADI<br/>BOLTS AND NUTS</b> | ACCIAIO INOX<br>STAINLESS STEEL          |
| 2 | <b>CORPO<br/>BODY</b>                    | POLIPROPILENE PP-B<br>POLYPROPYLENE PP-B |
| 3 | <b>GUARNIZIONE<br/>GASKET</b>            | NBR<br>NBR                               |
| 4 | <b>GHIERA<br/>REINFORCED RING</b>        | ACCIAIO INOX<br>STAINLESS STEEL          |

**TEMPERATURA ESERCIZIO:**  $\leq 20^{\circ}\text{C}$

**FILETTATURA :** FEMMINA IN ACCORDO ALLA ISO 7/1

**WORKING TEMPERATURE:**  $\leq 20^{\circ}\text{C}$

**THREADED :** FEMALE ACCORDING TO ISO 7/1



Art. 044009

| DN | Df    | PN | H1   | H   | L    | C    | n° x M |
|----|-------|----|------|-----|------|------|--------|
| 25 | 1/2"  | 10 | 36.5 | 53  | 39   | 68   | 2 x M6 |
| 25 | 3/4"  | 10 | 36.5 | 53  | 39   | 68   | 2 x M6 |
| 32 | 1/2"  | 10 | 42   | 62  | 47.5 | 80   | 2 x M8 |
| 32 | 3/4"  | 10 | 42   | 62  | 47.5 | 80   | 2 x M8 |
| 32 | 1"    | 10 | 42   | 62  | 47.5 | 80   | 2 x M8 |
| 40 | 1/2"  | 10 | 46   | 71  | 60.5 | 87   | 2 x M8 |
| 40 | 3/4"  | 10 | 46   | 71  | 60.5 | 87   | 2 x M8 |
| 40 | 1"    | 10 | 46   | 71  | 60.5 | 87   | 2 x M8 |
| 50 | 1/2"  | 10 | 51   | 80  | 70   | 97,5 | 2 x M8 |
| 50 | 3/4"  | 10 | 51   | 80  | 70   | 97.5 | 2 x M8 |
| 50 | 1"    | 10 | 51   | 80  | 70   | 97.5 | 2 x M8 |
| 50 | 1"1/4 | 10 | 51   | 80  | 70   | 97.5 | 2 x M8 |
| 63 | 1/2"  | 10 | 56   | 92  | 69   | 102  | 4 x M8 |
| 63 | 3/4"  | 10 | 56   | 92  | 69   | 102  | 4 x M8 |
| 63 | 1"    | 10 | 56   | 93  | 69   | 102  | 4 x M8 |
| 63 | 1"1/4 | 10 | 59   | 94  | 69   | 102  | 4 x M8 |
| 63 | 1"1/2 | 10 | 63   | 99  | 69   | 102  | 4 x M8 |
| 75 | 1/2"  | 10 | 64   | 105 | 79,5 | 116  | 4 x M8 |
| 75 | 3/4"  | 10 | 64   | 105 | 79.5 | 116  | 4 x M8 |
| 75 | 1"    | 10 | 64   | 105 | 79.5 | 116  | 4 x M8 |
| 75 | 1"1/4 | 10 | 64   | 105 | 79.5 | 116  | 4 x M8 |
| 75 | 1"1/2 | 10 | 69   | 111 | 79.5 | 116  | 4 x M8 |
| 75 | 2"    | 10 | 69   | 111 | 79.5 | 116  | 4 x M8 |
| 90 | 1/2"  | 10 | 71   | 120 | 90   | 134  | 4 x M8 |
| 90 | 3/4"  | 10 | 71   | 120 | 90   | 134  | 4 x M8 |
| 90 | 1"    | 10 | 71   | 120 | 90   | 134  | 4 x M8 |
| 90 | 1"1/4 | 10 | 71   | 120 | 90   | 134  | 4 x M8 |
| 90 | 1"1/2 | 10 | 77   | 126 | 90   | 134  | 4 x M8 |
| 90 | 2"    | 10 | 77   | 126 | 90   | 134  | 4 x M8 |

| DN  | Df    | PN | H1    | H   | L     | C     | n° x M |
|-----|-------|----|-------|-----|-------|-------|--------|
| 110 | 1/2"  | 10 | 85    | 146 | 90    | 151.5 | 6 x M8 |
| 110 | 3/4"  | 10 | 85    | 146 | 90    | 151.5 | 6 x M8 |
| 110 | 1"    | 10 | 84.5  | 146 | 90    | 151.5 | 6 x M8 |
| 110 | 1"1/4 | 10 | 82.5  | 146 | 90    | 151.5 | 6 x M8 |
| 110 | 1"1/2 | 10 | 93.5  | 146 | 90    | 151.5 | 6 x M8 |
| 110 | 2"    | 10 | 84.5  | 152 | 90    | 151.5 | 6 x M8 |
| 125 | 1/2"  | 10 | 91.5  | 159 | 111.5 | 178   | 6 x M8 |
| 125 | 3/4"  | 10 | 90    | 159 | 111.5 | 178   | 6 x M8 |
| 125 | 1"    | 10 | 91.5  | 159 | 111.5 | 178   | 6 x M8 |
| 125 | 1"1/4 | 10 | 91.5  | 159 | 111.5 | 178   | 6 x M8 |
| 125 | 1"1/2 | 10 | 96.5  | 159 | 111.5 | 178   | 6 x M8 |
| 125 | 2"    | 10 | 96.5  | 165 | 111.5 | 178   | 6 x M8 |
| 125 | 2"1/2 | 10 | 100   | 165 | 111.5 | 178   | 6 x M8 |
| 140 | 1/2"  | 10 | 102   | 178 | 127   | 191.5 | 6 x M8 |
| 140 | 3/4"  | 10 | 100   | 176 | 127   | 191.5 | 6 x M8 |
| 140 | 1"    | 10 | 101   | 176 | 127   | 191.5 | 6 x M8 |
| 140 | 1"1/4 | 10 | 103   | 179 | 127   | 191.5 | 6 x M8 |
| 140 | 1"1/2 | 10 | 103   | 179 | 127   | 191.5 | 6 x M8 |
| 140 | 2"    | 10 | 110   | 185 | 127   | 191.5 | 6 x M8 |
| 140 | 2"1/2 | 10 | 110   | 185 | 127   | 191.5 | 6 x M8 |
| 140 | 3"    | 10 | 113.5 | 189 | 127   | 191.5 | 6 x M8 |
| 160 | 1/2"  | 10 | 110   | 196 | 127   | 210.5 | 6 x M8 |
| 160 | 3/4"  | 10 | 110   | 196 | 127   | 210.5 | 6 x M8 |
| 160 | 1"    | 10 | 110   | 196 | 127   | 210.5 | 6 x M8 |
| 160 | 1"1/4 | 10 | 110   | 196 | 127   | 210.5 | 6 x M8 |
| 160 | 1"1/2 | 10 | 110   | 196 | 127   | 210.5 | 6 x M8 |
| 160 | 2"    | 10 | 115   | 201 | 127   | 210.5 | 6 x M8 |
| 160 | 2"1/2 | 10 | 119   | 205 | 127   | 210.5 | 6 x M8 |
| 160 | 3"    | 10 | 122   | 208 | 127   | 210.5 | 6 x M8 |