

Art. 044008

**PRESA A STAFFA SEMPLICE**

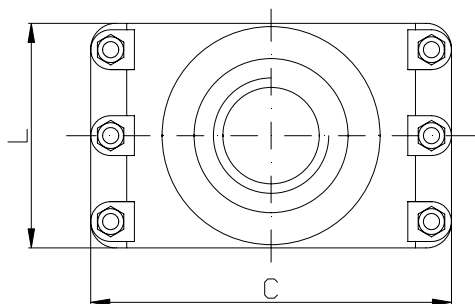
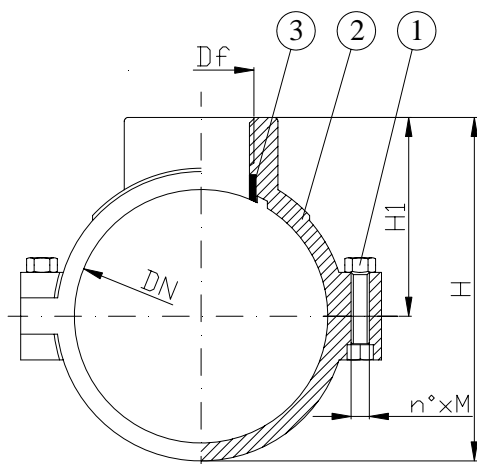
**SIMPLE CLAMP SADDLE**

**APPLICAZIONE:**

Impianti di trasporto acqua potabile, convogliamento fluidi alimentari, sistemi antincendio, impianti in pressione ed irrigazione.

**APPLICATION:**

Conveyance of drinking water, liquid for foodstuffs, fire protection system, under pressure pipelines, irrigation system.



**DENOMINAZIONE  
PART**

**MATERIALI  
MATERIALS**

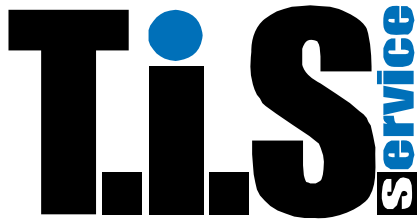
1	<b>BULLONI E DADI BOLTS AND NUTS</b>	ACCIAIO INOX STAINLESS STEEL
2	<b>CORPO BODY</b>	POLIPROPILENE PP-B POLYPROPYLENE PP-B
3	<b>GUARNIZIONE GASKET</b>	NBR NBR

**TEMPERATURA ESERCIZIO:**  $\leq 20^{\circ}\text{C}$

**FILETTATURA :** FEMMINA IN ACCORDO ALLA ISO 7/1

**WORKING TEMPERATURE:**  $\leq 20^{\circ}\text{C}$

**THREADED :** FEMALE ACCORDING TO ISO 7/1



Art. 044008

DN	Df	PN	H1	H	L	C	n° x M
25	1/2"	10	36.5	53	39	68	2 x M6
25	3/4"	10	36.5	53	39	68	2 x M6
32	1/2"	10	42	62	47.5	80	2 x M8
32	3/4"	10	42	62	47.5	80	2 x M8
32	1"	10	42	62	47.5	80	2 x M8
40	1/2"	10	46	71	60.5	87	2 x M8
40	3/4"	10	46	71	60.5	87	2 x M8
40	1"	10	46	71	60.5	87	2 x M8
50	1/2"	10	51	80	70	97.5	2 x M8
50	3/4"	10	51	80	70	97.5	2 x M8
50	1"	10	51	80	70	97.5	2 x M8
50	1"1/4	6	51	80	70	97.5	2 x M8
63	1"1/2	10	56	92	69	102	4 x M8
63	3/4"	10	56	92	69	102	4 x M8
63	1"	10	56	93	69	102	4 x M8
63	1"1/4	6	59	94	69	102	4 x M8
63	1"1/2	6	63	99	69	102	4 x M8
75	1/2"	10	64	105	79.5	116	4 x M8
75	3/4"	10	64	105	79.5	116	4 x M8
75	1"	10	64	105	79.5	116	4 x M8
75	1"1/4	6	64	105	79.5	116	4 x M8
75	1"1/2	6	69	111	79.5	116	4 x M8
75	2"	6	69	111	79.5	116	4 x M8
90	1/2"	6	71	120	90	134	4 x M8
90	3/4"	6	71	120	90	134	4 x M8
90	1"	6	71	120	90	134	4 x M8
90	1"1/4	6	71	120	90	134	4 x M8
90	1"1/2	6	71	126	90	134	4 x M8
90	2"	6	71	126	90	134	4 x M8

DN	Df	PN	H1	H	L	C	n° x M
110	1/2"	6	85	146	90	151.5	6 x M8
110	3/4"	6	85	146	90	151.5	6 x M8
110	1"	6	84.5	146	90	151.5	6 x M8
110	1"1/4	6	82.5	146	90	151.5	6 x M8
110	1"1/2	6	93.5	146	90	151.5	6 x M8
110	2"	6	84.5	152	90	151.5	6 x M8
125	1/2"	6	91.5	159	111.5	178	6 x M8
125	3/4"	6	90	159	111.5	178	6 x M8
125	1"	6	91.5	159	111.5	178	6 x M8
125	1"1/4	6	91.5	159	111.5	178	6 x M8
125	1"1/2	6	96.5	159	111.5	178	6 x M8
125	2"	6	96.5	165	111.5	178	6 x M8
125	2"1/2	6	100	165	111.5	178	6 x M8
140	1/2"	6	102	178	127	191.5	6 x M8
140	3/4"	6	100	176	127	191.5	6 x M8
140	1"	6	101	176	127	191.5	6 x M8
140	1"1/4	6	103	179	127	191.5	6 x M8
140	1"1/2	6	103	179	127	191.5	6 x M8
140	2"	6	110	185	127	191.5	6 x M8
140	2"1/2	6	110	185	127	191.5	6 x M8
140	3"	6	113.5	189	127	191.5	6 x M8
160	1/2"	6	110	196	127	210.5	6 x M8
160	3/4"	6	110	196	127	210.5	6 x M8
160	1"	6	110	196	127	210.5	6 x M8
160	1"1/4	6	110	196	127	210.5	6 x M8
160	1"1/2	6	110	196	127	210.5	6 x M8
160	2"	6	115	201	127	210.5	6 x M8
160	2"1/2	6	119	205	127	210.5	6 x M8
160	3"	6	122	208	127	210.5	6 x M8