

RACCORDO A COMPRESSIONE IN PP, TEE 90° FILETTATO FEMMINA

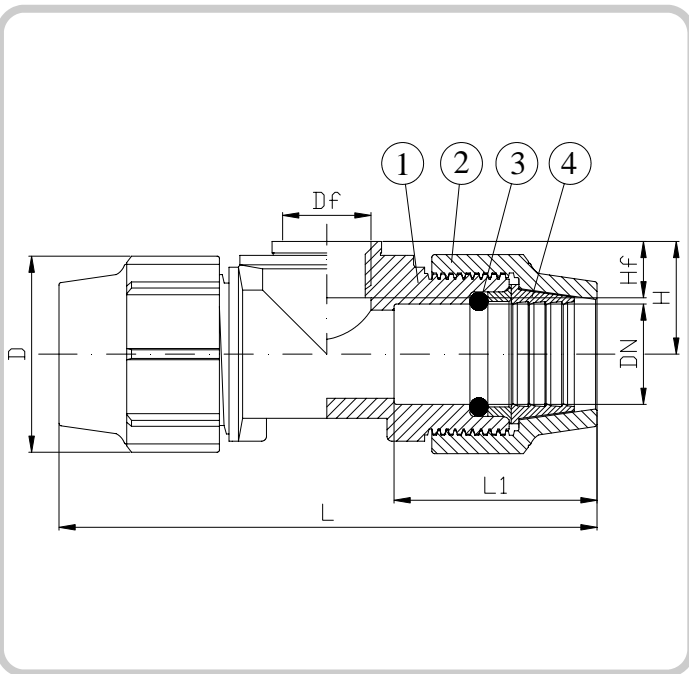
PP COMPRESSION FITTING, 90° TEE WITH FEMALE OFFTAKE

APPLICAZIONE:

Impianti di trasporto acqua potabile, convogliamento fluidi alimentari, sistemi antincendio, impianti in pressione e impianti di irrigazione.

APPLICATION:

Conveyance of drinking water, conveyance of liquid for foodstuffs, fire protection system, under pressure pipelines, irrigation system.



DENOMINAZIONE PART	MATERIALI MATERIALS
1 CORPO BODY	POLIPROPILENE PP-B POLYPROPYLENE PP-B
2 GHIERA NUT	POLIPROPILENE PP-B POLYPROPYLENE PP-B
3 O-RING O-RING	NBR NBR
4 ANELLO DI SERRAGGIO CLAMPING RING	POLIACETALE BIANCO POLI-ACETATE WHITE

NORMA DI PROGETTO:	UNI 9561
TEMPERATURA ESER:	≤20°C
DESIGN STANDARD:	UNI 9561
WORKING TEMP:	≤20°C

DN	Df	PN	D	L	L1	H	H1
16	1/2"	16	38	120	50	37.5	17
16	-	-	-	-	-	-	-
20	1/2"	16	48.5	140	60	52	18
20	3/4"	16	48.5	140	60	61	19
25	1/2"	16	54	147	58	50	18
25	3/4"	16	54	147	58	55.5	19
25	1"	16	54	147	58	64.5	19.5
32	1/2"	16	65	179	70	57	18
32	3/4"	16	65	179	70	60.5	19
32	1"	16	65	179	70	62.5	19.5
32	1 1/4"	16	65	179	70	70.5	20
40	1"	16	82	213	85	70.5	24
40	1 1/4"	16	82	213	85	69	23
40	1 1/2"	16	82	213	85	70.5	24

DN	Df	PN	D	L	L1	H	H1
50	1 1/4"	16	95.5	243.5	100	73.5	21
50	1 1/2"	16	95.5	243.5	100	79.5	24
50	2"	16	95.5	243.5	100	102.5	30
63	1 1/2"	16	112	288	110	89.5	25
63	2"	16	112	288	110	95	28
63	2 1/2"	16	112	288	110	98	30
75	2"	10	135	347.5	128	98	28
75	2 1/2"	10	135	347.5	128	103	30
75	3"	10	135	347.5	128	132.5	33
90	2 1/2"	10	153	421.5	167	121	33
90	3"	10	153	421.5	167	125	35
110	3"	10	179	497	195	138	35
110	4"	6	179	497	195	143	39