

**RACCORDO A COMPRESSIONE IN PP, TEE 90° FILETTATO MASCHIO**

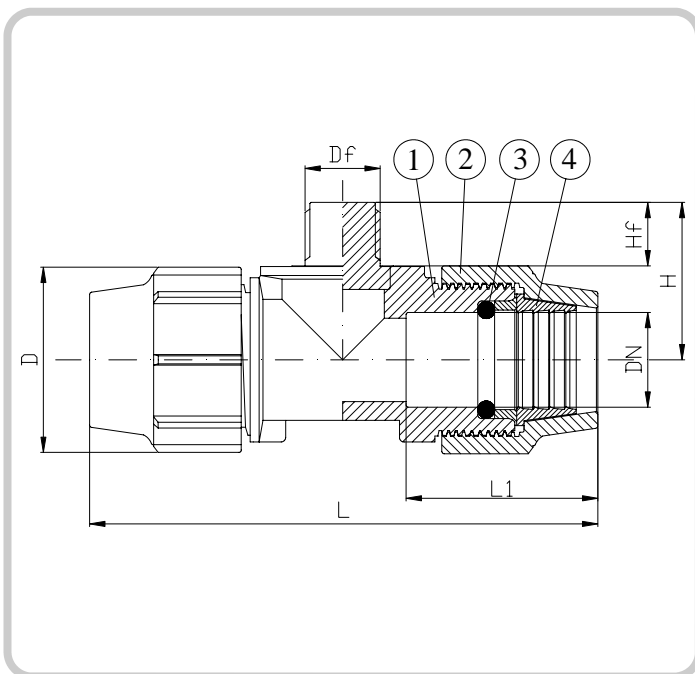
**PP COMPRESSION FITTING, 90° TEE WITH MALE OFFTAKE**

**APPLICAZIONE:**

Impianti di trasporto acqua potabile, convogliamento fluidi alimentari, sistemi antincendio, impianti in pressione e impianti di irrigazione.

**APPLICATION:**

Conveyance of drinking water, conveyance of liquid for foodstuffs, fire protection system, under pressure pipelines, irrigation system.



| DENOMINAZIONE<br>PART                  | MATERIALI<br>MATERIALS                   |
|--|--|
| 1 CORPO<br>BODY                        | POLIPROPILENE PP-B<br>POLYPROPYLENE PP-B |
| 2 GHIERA<br>NUT                        | POLIPROPILENE PP-B<br>POLYPROPYLENE PP-B |
| 3 O-RING<br>O-RING                     | NBR<br>NBR                               |
| 4 ANELLO DI SERRAGGIO<br>CLAMPING RING | POLIACETALE BIANCO<br>POLI-ACETATE WHITE |

|   |                   |
|---|-------------------|
| NORMA DI PROGETTO:<br>TEMPERATURA ESER: | UNI 9561<br>≤20°C |
| DESIGN STANDARD:<br>WORKING TEMP:       | UNI 9561<br>≤20°C |

| DN | Df     | PN | D    | L   | L1 | H    | Hf   |
|----|--------|----|------|-----|----|------|------|
| 20 | 1/2"   | 16 | 48.5 | 140 | 60 | 42   | 15   |
| 20 | 3/4"   | 16 | 48.5 | 140 | 60 | 42.5 | 17.5 |
| 25 | 1/2"   | 16 | 54   | 147 | 58 | 44.5 | 17   |
| 25 | 3/4"   | 16 | 54   | 147 | 58 | 44.5 | 17.5 |
| 25 | 1"     | 16 | 54   | 147 | 58 | 45.5 | 20   |
| 32 | 1/2"   | 16 | 65   | 179 | 70 | 45.5 | 15   |
| 32 | 3/4"   | 16 | 65   | 179 | 70 | 48.5 | 17.5 |
| 32 | 1"     | 16 | 65   | 179 | 70 | 54.5 | 20   |
| 32 | 1 1/4" | 16 | 65   | 179 | 70 | 53   | 22.5 |
| 40 | 1"     | 16 | 82.5 | 213 | 85 | 63   | 20   |
| 40 | 1 1/4" | 16 | 82.5 | 213 | 85 | 63   | 22.5 |
| 40 | 1 1/2" | 16 | 82.5 | 213 | 85 | 64.5 | 23.5 |

| DN  | Df     | PN | D    | L     | L1  | H     | Hf   |
|-----|--------|----|------|-------|-----|-------|------|
| 50  | 1 1/4" | 16 | 95.5 | 243.5 | 100 | 65    | 20   |
| 50  | 1 1/2" | 16 | 95.5 | 243.5 | 100 | 74    | 23.5 |
| 50  | 2"     | 16 | 95.5 | 243.5 | 100 | 75    | 28   |
| 63  | 1 1/2" | 16 | 112  | 288   | 110 | 77    | 23.5 |
| 63  | 2"     | 16 | 112  | 288   | 110 | 81.5  | 28   |
| 63  | 2 1/2" | 16 | 112  | 288   | 110 | 85    | 30   |
| 75  | 2 1/2" | 10 | 135  | 347.5 | 128 | 94    | 30   |
| 75  | 3"     | 10 | 135  | 347.5 | 128 | 98    | 33.5 |
| 90  | 3"     | 10 | 153  | 421.5 | 167 | 107   | 33.5 |
| 90  | 4"     | 10 | 153  | 421.5 | 167 | 114.5 | 38   |
| 110 | 3"     | -  | -    | -     | -   | -     | -    |
| 110 | 4"     | 10 | 179  | 497   | 195 | 127.5 | 38   |