

RACCORDO A COMPRESSIONE IN PP FILETTATO FEMMINA

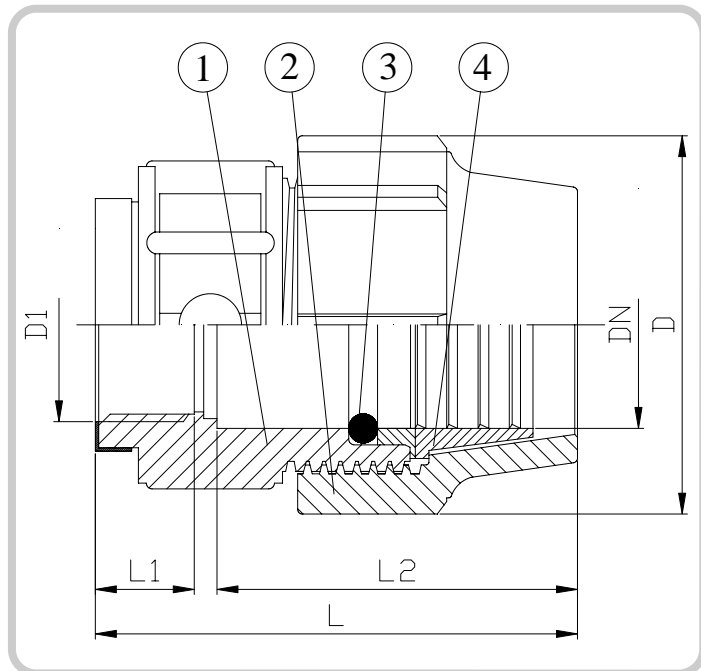
PP COMPRESSION FITTING FEMALE ADAPTOR

APPLICAZIONE:

Impianti di trasporto acqua potabile, convogliamento fluidi alimentari, sistemi antincendio, impianti in pressione e impianti di irrigazione.

APPLICATION:

Conveyance of drinking water, conveyance of liquid for foodstuffs, fire protection system, under pressure pipelines, irrigation system.



DENOMINAZIONE PART	MATERIALI MATERIALS
1 CORPO BODY	POLIPROPILENE PP-B POLYPROPYLENE PP-B
2 GHIERA NUT	POLIPROPILENE PP-B POLYPROPYLENE PP-B
3 O-RING O-RING	NBR NBR
4 ANELLO DI SERRAGGIO CLAMPING RING	POLIACETALE BIANCO POLI-ACETATE WHITE

NORMA DI PROGETTO:	UNI 9561
TEMPERATURA ESER:	≤20°C
DESIGN STANDARD:	UNI 9561
WORKING TEMP:	≤20°C

DN	D1	PN	D	L	L1	L2
16	1/2"	16	38	72	17	32
16	3/4"	16	38	72	15.5	32
20	1/2"	16	48.5	80	18	58
20	3/4"	16	48.5	79	19	58
25	1/2"	16	54	80	18	61
25	3/4"	16	54	80	19	61
25	1"	16	54	80	21	61
32	1/2"	16	65	87.5	18	70
32	3/4"	16	65	87.5	19	70
32	1"	16	65	91	19.5	70
32	1 1/4"	16	65	91	19.5	70
40	1"	16	82.5	100.5	19.5	83
40	1 1/4"	16	82.5	103	22.5	83
40	1 1/2"	16	82.5	105	24	83
50	1 1/4"	16	95.5	119	21	95

DN	D1	PN	D	L	L1	L2
50	1 1/2"	16	95.5	123	24	95
50	2"	16	95.5	124	30	95
63	1 1/2"	16	112	141.5	25	115
63	2"	16	112	143	28	115
63	2 1/2"	16	112	145	30	115
75	2"	10	135	165	28	130
75	2 1/2"	10	135	160	30	130
75	3"	10	135	189.5	34	130
90	2"	10	153	190	30	155
90	2 1/2"	10	153	194.5	33	155
90	3"	10	153	191.5	35	155
90	4"	10	153	219	39	155
110	2"	10	179	210	30	185
110	3"	10	179	213	30	185
110	4"	10	179	214	39	185