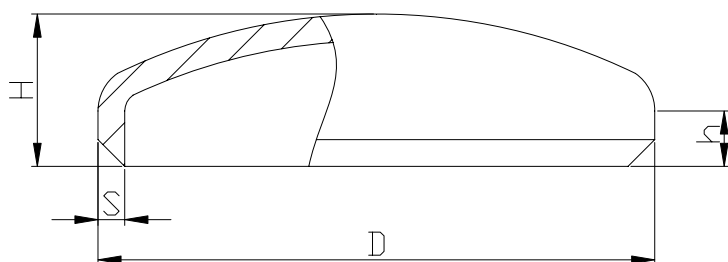


Art. 034008

Art. 034010

## FONDO BOMBATO

## CAP



DN	D	S	H	h	Peso (kg) Weight
20	26.9	2.3	11	4	0.03
25	33.7	2.3	11	4	0.04
32	42.4	2.6	11	4	0.05
40	48.3	2.6	11.5	4	0.08
50	60.3	2.9	16.5	6	0.10
65	76.1	2.9	18.5	6	0.18
80	88.9	3.2	23.0	8	0.22
100	114.3	3.6	26.0	8	0.50
125	139.7	4.0	35.5	12	0.72
150	168.3	4.5	44.5	15	1.10
200	219.1	6.3	68.5	30	2.3
250	273	6.3	90.0	40	5.0
300	323.9	7.1	99.0	40	8.0

ACCIAIO: Lamiera in Acciaio S 235

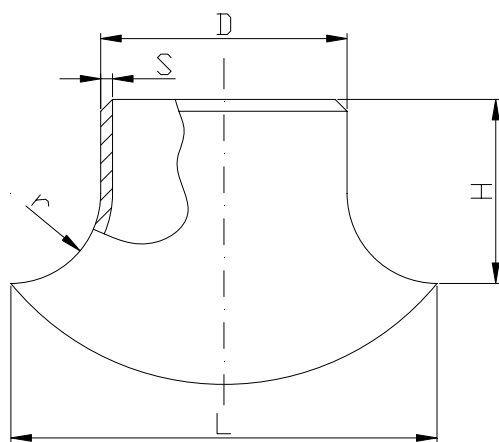
DIMENSIONI: EN 10253 parte 1

STEEL: Plate Steel S 235

DIMENSIONS: EN 10253-1

## INNESTO A SCARPA

## COUPLING SADDLE



DN	D	S	r	H	L	Peso (kg) Weight
25	33.7	2.6	11	30	56	0.08
32	42.4	2.6	16	35	75	0.13
40	48.3	2.6	18	40	85	0.18
50	60.3	2.9	22	45	105	0.27
65	76.1	2.9	32	50	142	0.45
80	88.9	3.2	37	60	164	0.68
100	114.3	3.6	40	65	198	1.11
125	139.7	4.0	55	85	250	1.89
150	168.3	4.5	60	100	290	2.86
200	219.1	6.3	75	135	375	6.42
250	273	6.3	90	150	460	9.98
300	323.9	7.1	110	175	560	15.85

ACCIAIO: St 35.8/I

DIMENSIONI: DIN 2618

STEEL: St 35.8/I

DIMENSIONS: DIN 2618