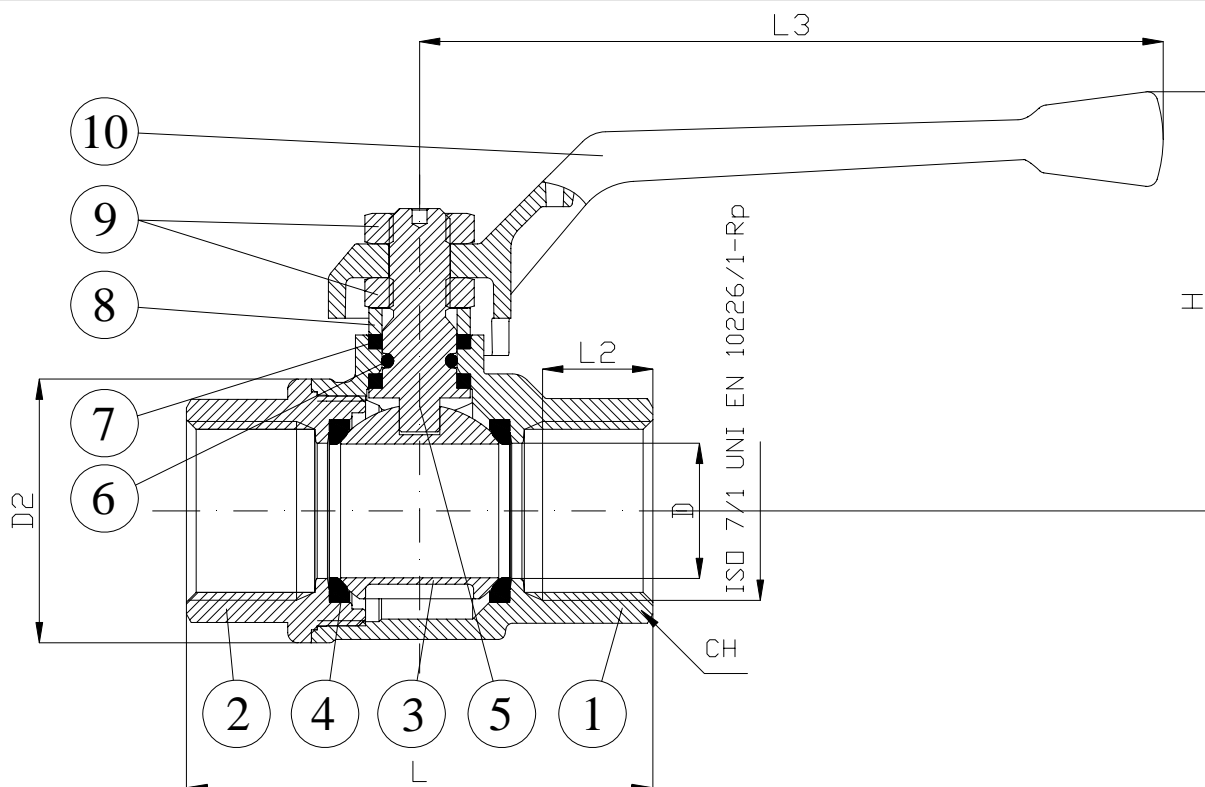


VALVOLA A SFERA PER GAS A PASSAGGIO TOTALE, FILETTATURA F/F

FULL BORE VALVE FOR GAS, F/F THREADED

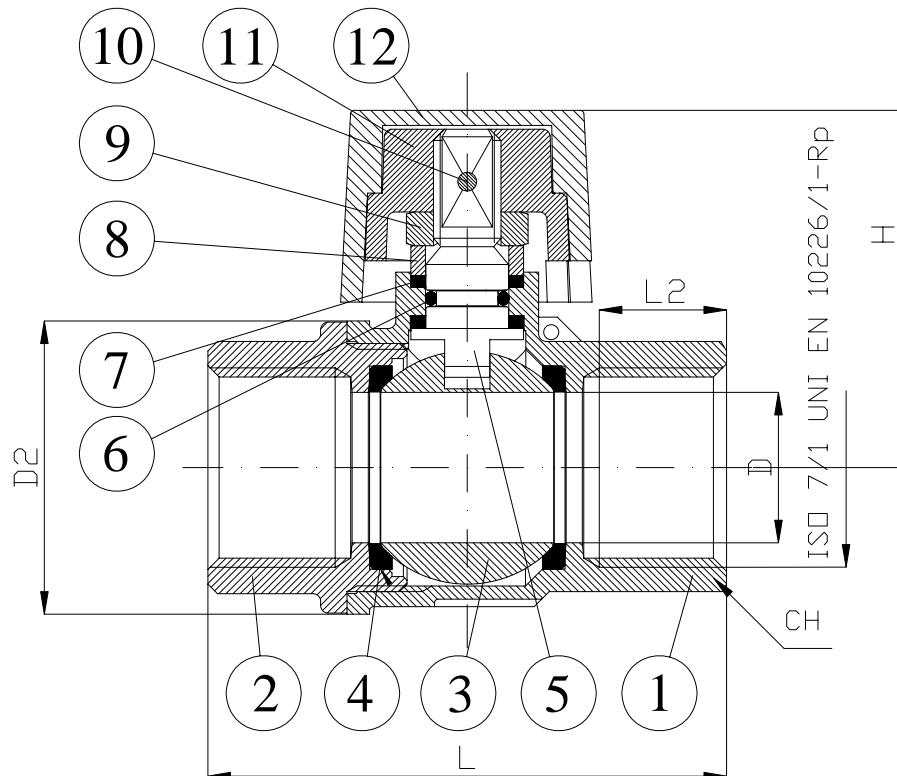


**PRESSIONE ESERCIZIO MAX:** 5bar  
**TEMPERATURA ESERCIZIO:** da -20° a +90°C  
**MAX WORKING PRESSURE:** 5 bar  
**WORKING TEMPERATURE:** from -20° to +90°C

| Inch. | DN  | D   | D2  | L    | L2   | L3  | H    | CH  | Peso (kg)<br>Weight |
|-------|-----|-----|-----|------|------|-----|------|-----|---------------------|
| 1/4   | 8   | 10  | 23  | 51.5 | 11   | 95  | 47.5 | 20  | 0.14                |
| 3/8   | 10  | 10  | 23  | 51.5 | 11.4 | 95  | 47.5 | 20  | 0.13                |
| 1/2   | 15  | 15  | 33  | 62   | 15   | 95  | 51   | 25  | 0.21                |
| 3/4   | 20  | 20  | 39  | 69   | 16.3 | 110 | 62   | 31  | 0.33                |
| 1     | 25  | 25  | 49  | 83   | 19.1 | 110 | 66   | 38  | 0.53                |
| 1 1/4 | 32  | 32  | 59  | 96   | 21.4 | 160 | 80   | 48  | 0.97                |
| 1 1/2 | 40  | 40  | 73  | 108  | 21.4 | 160 | 86   | 54  | 1.45                |
| 2     | 50  | 50  | 87  | 127  | 25.7 | 170 | 105  | 67  | 1.98                |
| 2 1/2 | 65  | 65  | 111 | 152  | 30.2 | 205 | 129  | 90  | 3.71                |
| 3     | 80  | 80  | 136 | 177  | 33.3 | 205 | 140  | 105 | 5.90                |
| 4     | 100 | 100 | 166 | 214  | 39.3 | 260 | 160  | 130 | 10                  |

| DENOMINAZIONE<br>PART                 | MATERIALI<br>MATERIALS |
|---------------------------------------|------------------------|
| 1 CORPO<br>BODY                       | OTTONE<br>BRASS        |
| 2 MANICOTTO<br>END CONNECTION         | OTTONE<br>BRASS        |
| 3 SFERA<br>BALL                       | OTTONE<br>BRASS        |
| 4 GUARNIZIONE SFERA<br>BALL SEAT      | PTFE<br>PTFE           |
| 5 ALBERO<br>STEM                      | OTTONE<br>BRASS        |
| 6 O-RING<br>O-RING                    | NBR<br>NBR             |
| 7 RONDELLA ANTIATTRITO<br>STEM WASHER | PTFE<br>PTFE           |
| 8 BUSSOLA<br>PACKING GLAND            | OTTONE<br>BRASS        |
| 9 DADO<br>NUT                         | ACCIAIO<br>STEEL       |
| 10 LEVA<br>HANDLE                     | ALLUMINIO<br>ALUMINIUM |

VALVOLA A SFERA PER COLONNA MONTANTE GAS A PASSAGGIO TOTALE, FILETTATURA F/F  
 FULL BORE VALVE FOR GAS, F/F THREADED



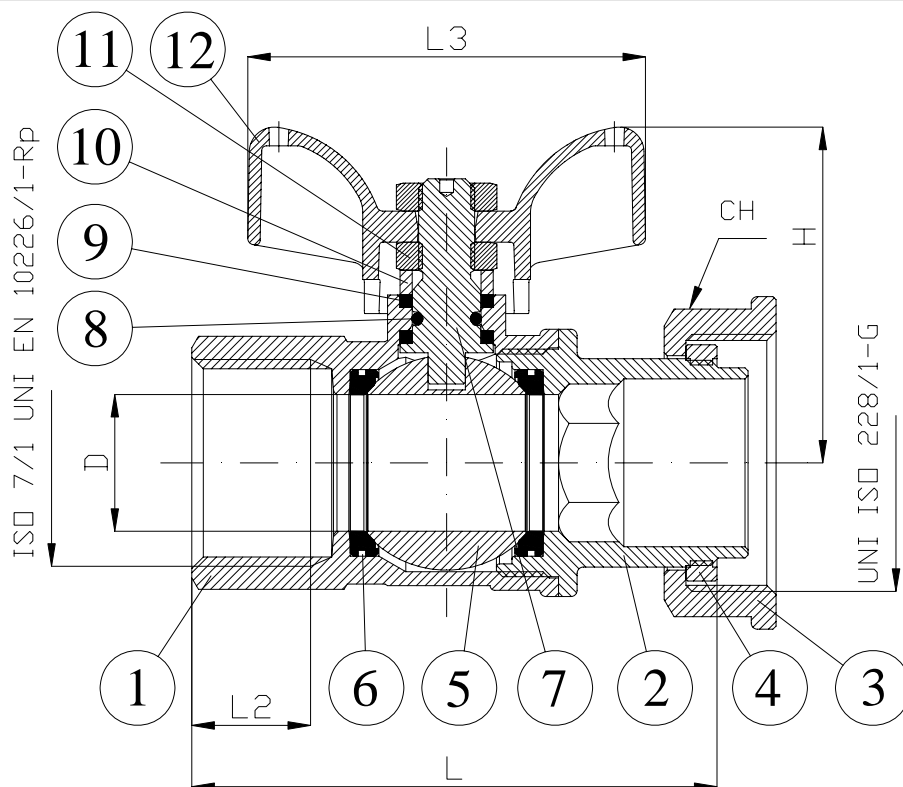
**PRESSIONE ESERCIZIO MAX:** 5bar  
**TEMPERATURA ESERCIZIO:** da -20° a +90°C  
**MAX WORKING PRESSURE:** 5 bar  
**WORKING TEMPERATURE:** from -20° to +90°C

| Inch. | DN  | D   | D2  | L   | L2   | H     | CH  | Peso (kg)<br>Weight |
|-------|-----|-----|-----|-----|------|-------|-----|---------------------|
| 3/4   | 20  | 20  | 39  | 69  | 16.3 | 48    | 31  | 0.34                |
| 1     | 25  | 25  | 49  | 83  | 19.1 | 52    | 38  | 0.53                |
| 1 1/4 | 32  | 32  | 59  | 96  | 21.4 | 64.5  | 48  | 0.94                |
| 1 1/2 | 40  | 40  | 73  | 108 | 21.4 | 70.5  | 54  | 1.42                |
| 2     | 50  | 50  | 87  | 127 | 25.7 | 80    | 67  | 1.95                |
| 2 1/2 | 65  | 65  | 111 | 152 | 30.2 | 99.5  | 90  | 3.62                |
| 3     | 80  | 80  | 136 | 177 | 33.3 | 110   | 105 | 5.70                |
| 4     | 100 | 100 | 166 | 214 | 39.3 | 134.5 | 130 | 9.80                |

| DENOMINAZIONE<br>PART                 | MATERIALI<br>MATERIALS |
|---------------------------------------|------------------------|
| 1 CORPO<br>BODY                       | OTTONE<br>BRASS        |
| 2 MANICOTTO<br>END CONNECTION         | OTTONE<br>BRASS        |
| 3 SFERA<br>BALL                       | OTTONE<br>BRASS        |
| 4 GUARNIZIONE SFERA<br>BALL SEAT      | PTFE<br>PTFE           |
| 5 ALBERO<br>STEM                      | OTTONE<br>BRASS        |
| 6 O-RING<br>O-RING                    | NBR<br>NBR             |
| 7 RONDELLA ANTIATTRITO<br>STEM WASHER | PTFE<br>PTFE           |
| 8 BUSSOLA<br>PACKING GLAND            | OTTONE<br>BRASS        |
| 9 DADO<br>NUT                         | ACCIAIO<br>STEEL       |
| 10 SPINA<br>PIN                       | ACCIAIO<br>STEEL       |
| 11 CAPPUCIO PIOMBABILE<br>CAP         | ZINCO<br>ZINC          |
| 12 COPRI CAPPUCIO<br>CAP COVER        | ABS<br>ABS             |

VALVOLA A SFERA PER CONTATORE GAS, CON ATTACCO PER FERRO MENSOLA

BALL VALVE FOR GAS METER WITH CONNECTION FOR METER BRACKET

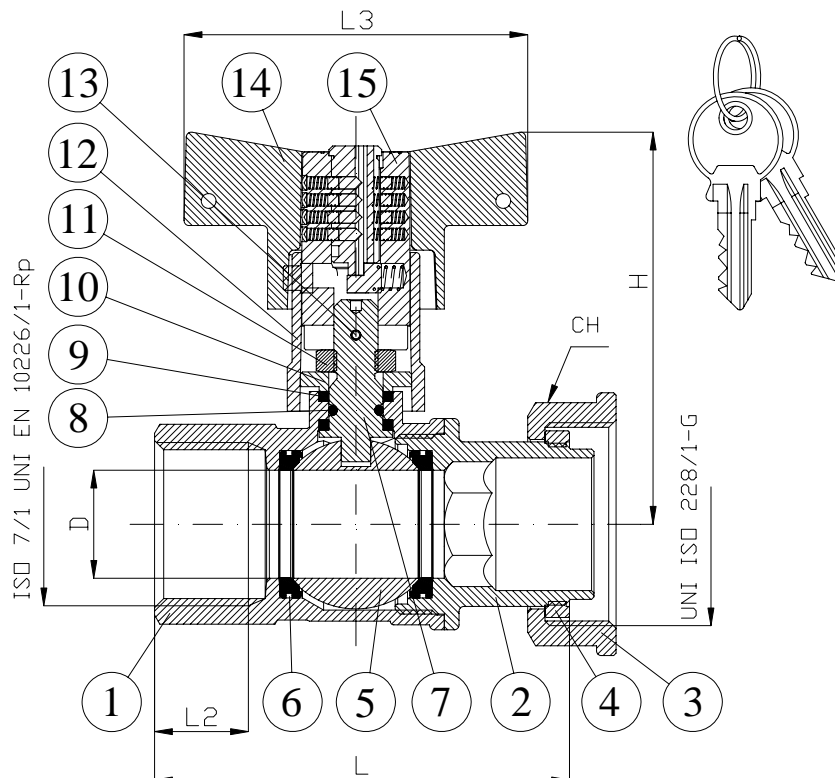


**PRESSIONE ESERCIZIO MAX:** 5bar  
**TEMPERATURA ESERCIZIO:** da  $-20^{\circ}$  a  $+90^{\circ}\text{C}$   
**MAX WORKING PRESSURE:** 5 bar  
**WORKING TEMPERATURE:** from  $-20^{\circ}$  to  $+90^{\circ}\text{C}$

| Inch.       | DN | D  | L    | L2   | L3 | H    | CH | Peso (kg)<br>Weight |
|-------------|----|----|------|------|----|------|----|---------------------|
| 3/4 x 1 1/4 | 20 | 16 | 75   | 16.3 | 64 | 51.5 | 46 | 0.51                |
| 1 x 1 1/4   | 25 | 22 | 84.5 | 19.1 | 64 | 54   | 46 | 0.52                |

| DENOMINAZIONE<br>PART                 | MATERIALI<br>MATERIALS |
|---------------------------------------|------------------------|
| 1 CORPO<br>BODY                       | OTTONE<br>BRASS        |
| 2 MANICOTTO<br>END CONNECTION         | OTTONE<br>BRASS        |
| 3 GIRELLO<br>NUT                      | OTTONE<br>BRASS        |
| 4 GHIERA<br>RING NUT                  | OTTONE<br>BRASS        |
| 5 SFERA<br>BALL                       | OTTONE<br>BRASS        |
| 6 GUARNIZIONE SFERA<br>BALL SEAT      | PTFE<br>PTFE           |
| 7 ALBERO<br>STEM                      | OTTONE<br>BRASS        |
| 8 O-RING<br>O-RING                    | NBR<br>NBR             |
| 9 RONDELLA ANTIATTRITO<br>STEM WASHER | PTFE<br>PTFE           |
| 10 BUSSOLA<br>PACKING GLAND           | OTTONE<br>BRASS        |
| 11 DADO<br>NUT                        | ACCIAIO<br>STEEL       |
| 12 FARFALLA<br>T-HANDLE               | ALLUMINIO<br>ALUMINIUM |

VALVOLA A SFERA PER CONTATORE GAS, CON ATTACCO PER FERRO MENSOLA, CON SERRATURA  
 BALL VALVE WITH SECURITY LOCK FOR GAS METER WITH CONNECTION FOR METER BRACKET



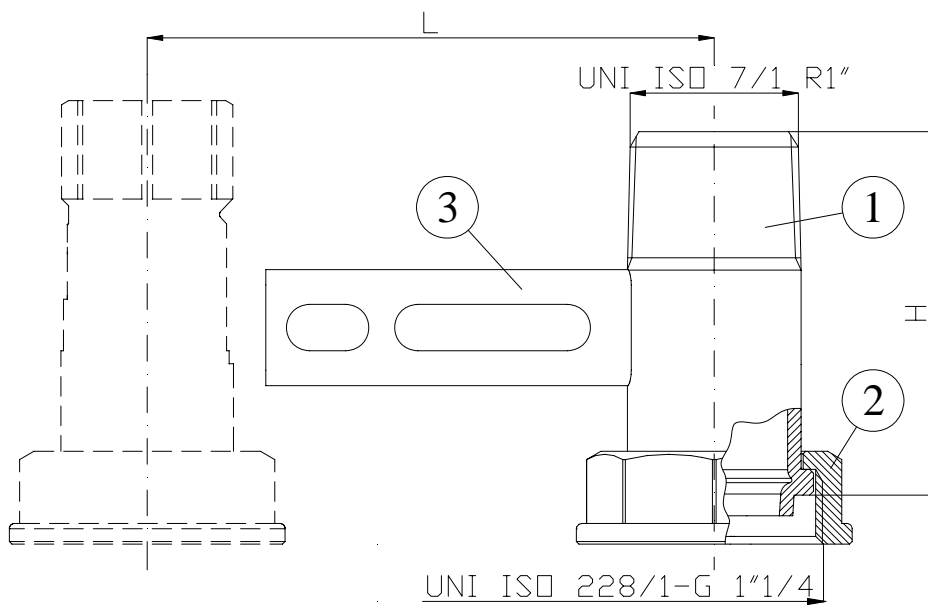
**PRESSIONE ESERCIZIO MAX:** 5bar  
**TEMPERATURA ESERCIZIO:** da -20° a +90°C  
**MAX WORKING PRESSURE:** 5 bar  
**WORKING TEMPERATURE:** from -20° to +90°C

| Inch.       | DN | D  | L    | L2   | L3 | H    | CH | Peso (kg)<br>Weight |
|-------------|----|----|------|------|----|------|----|---------------------|
| 3/4 x 1 1/4 | 20 | 16 | 75   | 16.3 | 64 | 76.5 | 46 | 0.75                |
| 1 x 1 1/4   | 25 | 22 | 84.5 | 19.1 | 64 | 79   | 46 | 0.76                |

| DENOMINAZIONE<br>PART                 | MATERIALI<br>MATERIALS       |
|---------------------------------------|------------------------------|
| 1 CORPO<br>BODY                       | OTTONE<br>BRASS              |
| 2 MANICOTTO<br>END CONNECTION         | OTTONE<br>BRASS              |
| 3 GIRELLO<br>NUT                      | OTTONE<br>BRASS              |
| 4 GHIERA<br>RING NUT                  | OTTONE<br>BRASS              |
| 5 SFERA<br>BALL                       | OTTONE<br>BRASS              |
| 6 GUARNIZIONE SFERA<br>BALL SEAT      | PTFE<br>PTFE                 |
| 7 ALBERO<br>STEM                      | OTTONE<br>BRASS              |
| 8 O-RING<br>O-RING                    | NBR<br>NBR                   |
| 9 RONDELLA ANTIATTRITO<br>STEM WASHER | PTFE<br>PTFE                 |
| 10 BUSSOLA<br>PACKING GLAND           | OTTONE<br>BRASS              |
| 11 DADO<br>NUT                        | ACCIAIO<br>STEEL             |
| 12 COPRI SERRATURA<br>LOCK CAP        | ZINCO<br>ZINC                |
| 13 SPINA<br>PIN                       | ACCIAIO INOX<br>ACCIAIO INOX |
| 14 FARFALLA<br>T-HANDLE               | ALLUMINIO<br>ALUMINIUM       |
| 15 SERRATURA<br>LOCK                  | OTTONE<br>BRASS              |

TRAVERSA IN ACCIAIO SENZA ZANCA

STEEL CROSS BEAM WITHOUT FIXING PLATE



Inch.

L

H

1 x 1 1/4

110

70.5

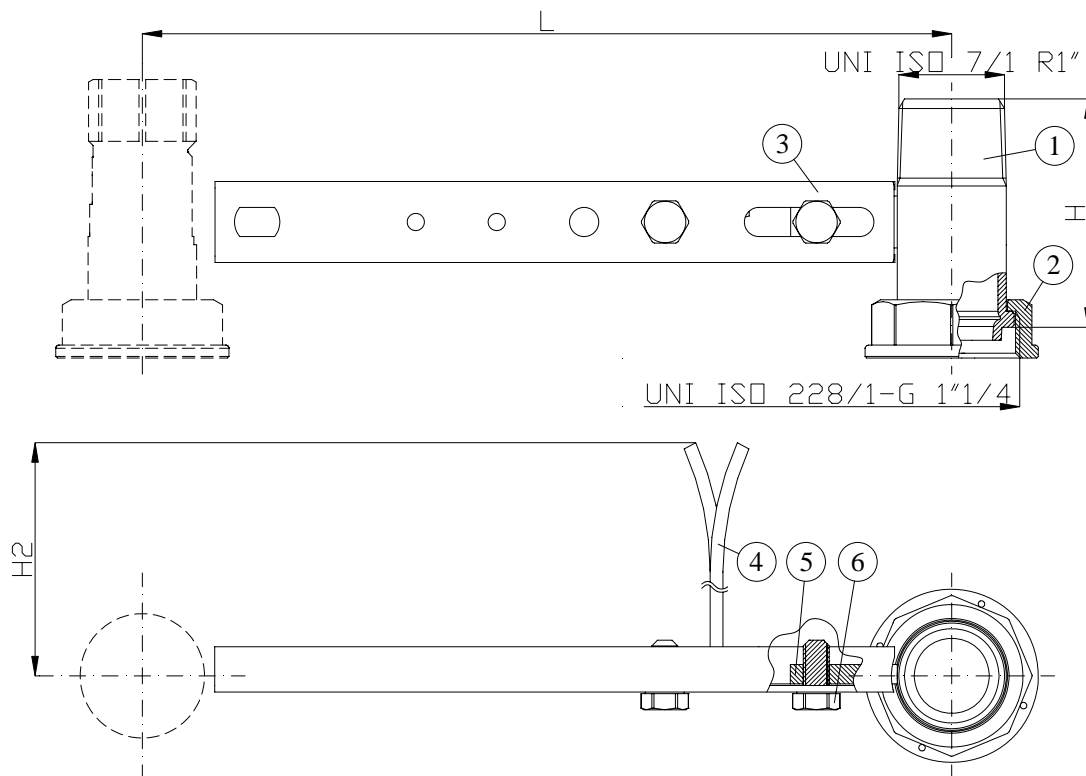
DENOMINAZIONE  
PART

MATERIALI  
MATERIALS

|   |                            |                         |
|---|----------------------------|-------------------------|
| 1 | CANOTTO<br>MALE UNION TAIL | ACCIAIO<br>STEEL S235JR |
| 2 | GIRELLO<br>NUT             | OTTONE<br>BRASS         |
| 3 | TRAVERSA<br>CROSS BEAM     | ACCIAIO<br>STEEL S235JR |

TRAVERSA IN ACCIAIO CON CANOTTO E ZANCA A MURARE

STEEL CROSS BEAM WITH THREADED UNION TAIL AND WALL UP FIXING PLATE



Inch.

L

H

H2

1 x 1 1/4

250

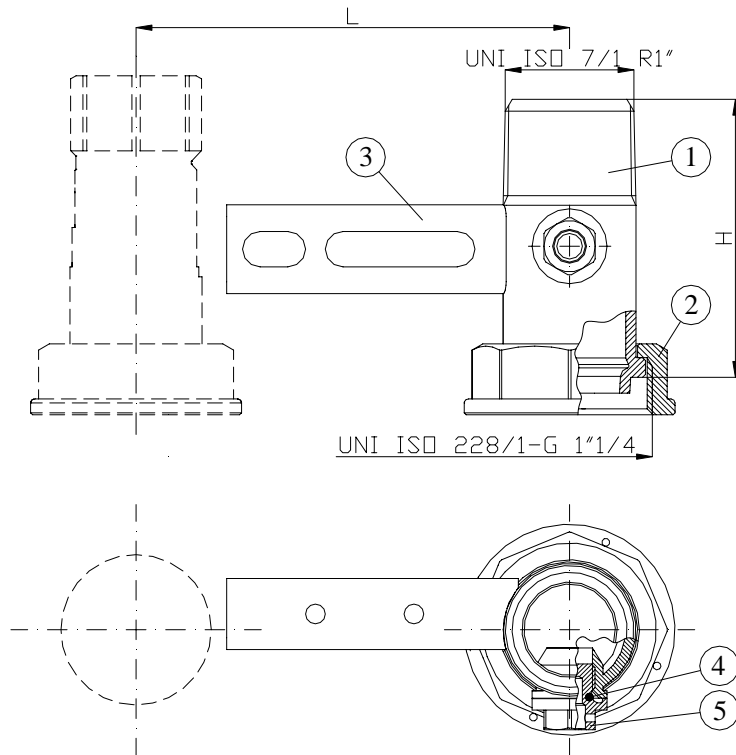
70.5

157.5

DENOMINAZIONE  
PARTMATERIALI  
MATERIALS

|   |                            |                         |
|---|----------------------------|-------------------------|
| 1 | CANOTTO<br>MALE UNION TAIL | ACCIAIO<br>STEEL S235JR |
| 2 | GIRELLO<br>NUT             | OTTONE<br>BRASS         |
| 3 | TRAVERSA<br>CROSS BEAM     | ACCIAIO<br>STEEL        |
| 4 | ZANCA<br>CROSS BEAM        | ACCIAIO<br>STEEL S235JR |
| 5 | PIASTRA<br>PLATE           | ACCIAIO<br>STEEL S235JR |
| 6 | VITE<br>SCREW              | ACCIAIO<br>STEEL        |

Art. 070142033042

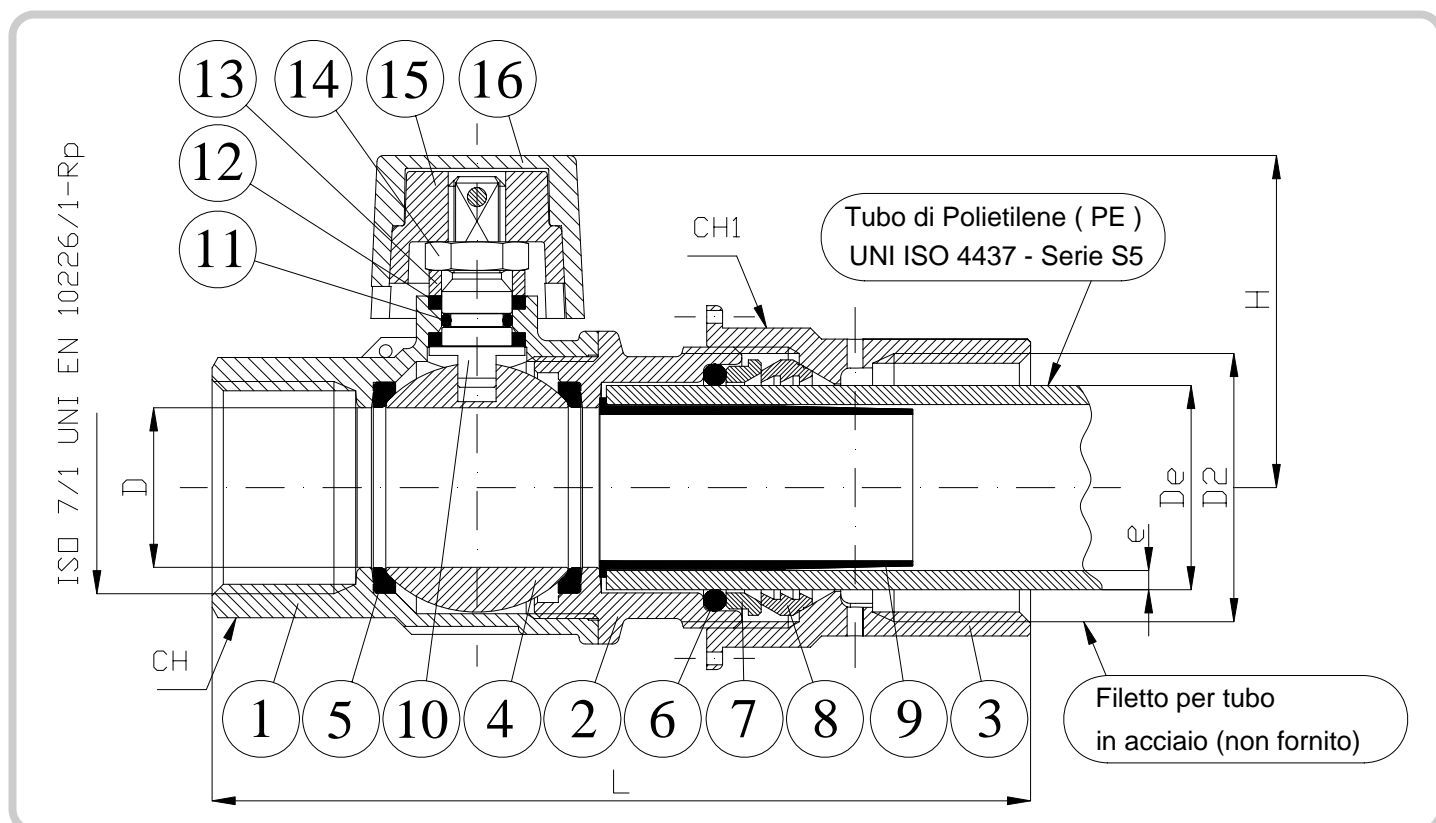
**TRAVERSA IN ACCIAIO CON CANOTTO PRESA PRESSIONE SENZA ZANCA**
**STEEL CROSS BEAM WITH THREADED UNION TAIL FOR PRESSURE MEASUREMENT WITHOUT FIXING PLATE**


| Inch.     | L   | H    |
|-----------|-----|------|
| 1 x 1 1/4 | 110 | 70.5 |

**DENOMINAZIONE  
PART**
**MATERIALI  
MATERIALS**

|   |                                    |                         |
|---|------------------------------------|-------------------------|
| 1 | <b>CANOTTO<br/>MALE UNION TAIL</b> | ACCIAIO<br>STEEL S235JR |
| 2 | <b>GIRELLO<br/>NUT</b>             | OTTONE<br>BRASS         |
| 3 | <b>TRAVERSA<br/>CROSS BEAM</b>     | ACCIAIO<br>STEEL S235JR |
| 4 | <b>O-RING<br/>O-RING</b>           | NBR<br>NBR              |
| 5 | <b>TAPPO<br/>CAP</b>               | OTTONE<br>BRASS         |

VALVOLA A SFERA PER COLONNA MONTANTE GAS, CON CAPPuccio PIOMBABILE, A PASSAGGIO TOTALE, FILETTATURA FEMMINA ED ATTACCO PE, RACCORDO PER TUBO DI PROTEZIONE IN ACCIAIO  
 FULL BORE BALL VALVE FOR GAS FOR RISER PIPE, WITH SEALABLE CAP, FEMALE THREADED AND PE CONNECTION, WITH FITTING FOR PROTECTION STEEL PIPE



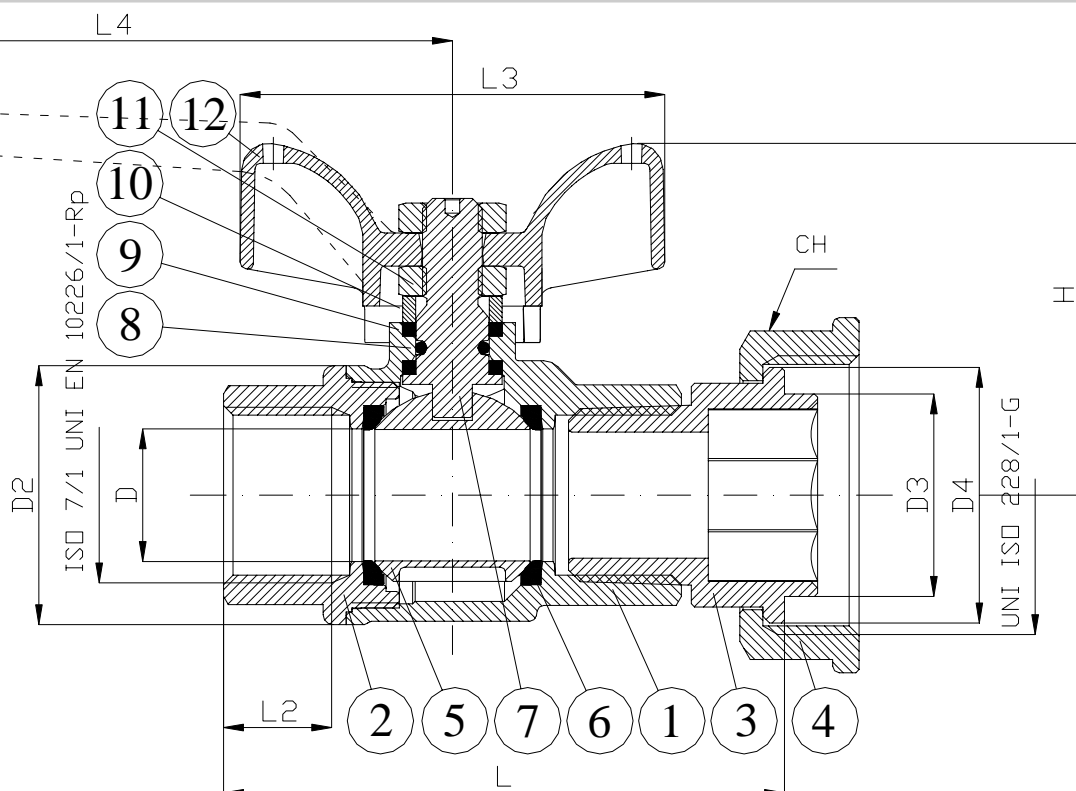
**PRESSIONE ESERCIZIO MAX:** 5bar  
**TEMPERATURA ESERCIZIO:** da -20° a +90°C  
**MAX WORKING PRESSURE:** 5 bar  
**WORKING TEMPERATURE:** from -20° to +90°C

| Inch.      | DN | D  | D2 (inch) | De | e   | L     | H    | CH | CH1 | Peso (kg)<br>Weight |
|------------|----|----|-----------|----|-----|-------|------|----|-----|---------------------|
| 3/4 x 25   | 20 | 20 | 1         | 25 | 2.5 | 131   | 48   | 31 | 40  | 0.58                |
| 1 x 1 32   | 25 | 25 | 1 1/4     | 32 | 3   | 128.5 | 50   | 38 | 50  | 0.85                |
| 1 1/4 x 40 | 32 | 32 | 1 1/2     | 40 | 3.7 | 146.5 | 64.5 | 48 | 60  | 1.25                |
| 1 1/2 x 50 | 40 | 40 | 2         | 50 | 4.6 | 167   | 70.5 | 54 | 70  | 1.86                |
| 2 x 63     | 50 | 50 | 2 1/2     | 63 | 5.8 | 196.5 | 77   | 67 | 85  | 2.98                |

| DENOMINAZIONE<br>PART                           | MATERIALI<br>MATERIALS |
|---|------------------------|
| 1 CORPO<br>BODY                                 | OTTONE<br>BRASS        |
| 2 MANICOTTO<br>END CONNECTION                   | OTTONE<br>BRASS        |
| 3 RACCORDO PER TUBO PE<br>FITTING FOR PE PIPE   | OTTONE<br>BRASS        |
| 4 SFERA<br>BALL                                 | OTTONE<br>BRASS        |
| 5 GUARNIZIONE SFERA<br>BALL SEAT                | PTFE<br>PTFE           |
| 6 O-RING  | NBR<br>NBR             |
| 7 BUSSOLA<br>PACKING GLAND                      | OTTONE<br>BRASS        |
| 8 ANELLO ANTIFILAMENTO<br>ANTIUNTHREADING RING  | OTTONE<br>BRASS        |
| 9 BOCCOLA DI RINFORZO<br>STEADYING AXLE BEARING | OTTONE<br>BRASS        |
| 10 ALBERO<br>STEM                               | OTTONE<br>BRASS        |
| 11 O-RING                                       | NBR<br>NBR             |
| 12 RONDELLA ANTIATTRITO<br>STEM WASHER          | PTFE<br>PTFE           |
| 13 BUSSOLA<br>PACKING GLAND                     | OTTONE<br>BRASS        |
| 14 DADO<br>NUT                                  | ACCIAIO<br>STEEL       |
| 15 CAPPuccio PIOMBABILE<br>LOCKABLE CAP         | ZINCO<br>ZINC          |
| 16 COPRICAPPuccio<br>CAP COVER                  | ABS<br>ABS             |

VALVOLA A SFERA PER GAS A PASSAGGIO TOTALE CON RACCORDO PER CONTATORE GAS

FULL BORE BALL VALVE FOR GAS WITH GAS METER CONNECTION

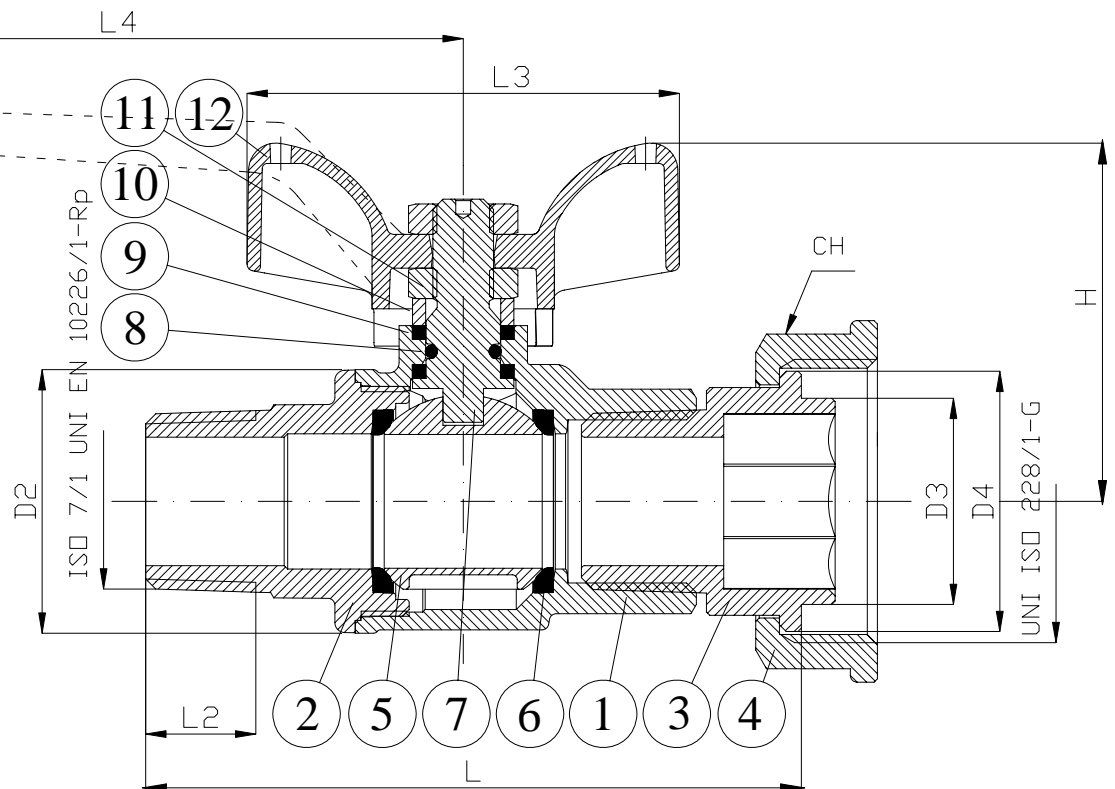


**PRESSIONE ESERCIZIO MAX:** 5bar  
**TEMPERATURA ESERCIZIO:** da -20° a +90°C  
**MAX WORKING PRESSURE:** 5 bar  
**WORKING TEMPERATURE:** from -20° to +90°C

| Inch.          | DN | D  | D2   | D3 | D4   | L   | L2   | L3 | L4  | H   | CH | Peso (kg)<br>Weight |
|----------------|----|----|------|----|------|-----|------|----|-----|-----|----|---------------------|
| 3/4 x<br>1 1/4 | 20 | 24 | 43.5 | 31 | 38.5 | 86  | 16.3 | 64 | -   | 56  | 46 | 0.50                |
| 1 x<br>1 1/4   | 25 | 30 | 53   | 31 | 38.5 | 100 | 19.1 | 64 | -   | 60  | 46 | 0.72                |
| 1 1/2<br>x 2   | 40 | 38 | 65   | 46 | 55   | 128 | 21.4 | -  | 160 | 86  | 63 | 1.86                |
| 2 x<br>2 1/2   | 50 | 47 | 87   | 59 | 71   | 148 | 25.7 | -  | 170 | 104 | 80 | 2.63                |

| DENOMINAZIONE<br>PART                 | MATERIALI<br>MATERIALS |
|---------------------------------------|------------------------|
| 1 CORPO<br>BODY                       | OTTONE<br>BRASS        |
| 2 MANICOTTO<br>END CONNECTION         | OTTONE<br>BRASS        |
| 3 CANOTTO<br>MALE UNION TAIL          | OTTONE<br>BRASS        |
| 4 GIRELLO<br>NUT                      | OTTONE<br>BRASS        |
| 5 SFERA<br>BALL                       | OTTONE<br>BRASS        |
| 6 GUARNIZIONE SFERA<br>BALL SEAT      | PTFE<br>PTFE           |
| 7 ALBERO<br>STEM                      | OTTONE<br>BRASS        |
| 8 O-RING<br>O-RING                    | NBR<br>NBR             |
| 9 RONDELLA ANTIATTRITO<br>STEM WASHER | PTFE<br>PTFE           |
| 10 BUSSOLA<br>PACKING GLAND           | OTTONE<br>BRASS        |
| 11 DADO<br>NUT                        | ACCIAIO<br>STEEL       |
| 12 FARFALLA<br>T-HANDLE               | ALLUMINIO<br>ALUMINIUM |

VALVOLA A SFERA PER GAS A PASSAGGIO TOTALE CON RACCORDO PER CONTATORE GAS  
**FULL BORE BALL VALVE FOR GAS WITH GAS METER CONNECTION**



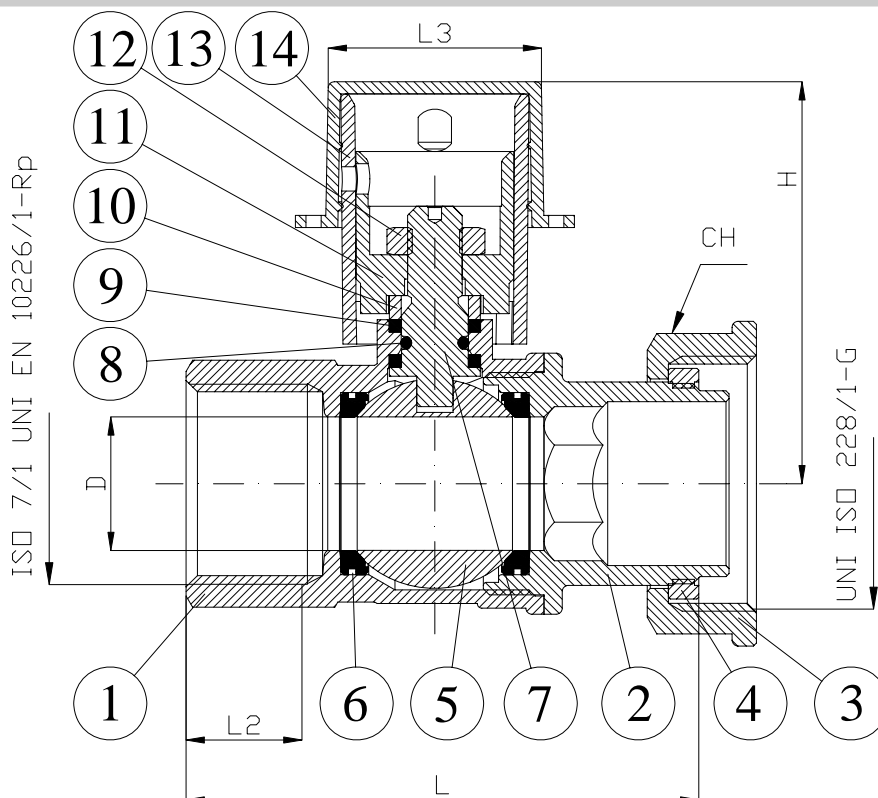
**PRESSIONE ESERCIZIO MAX:** 5bar  
**TEMPERATURA ESERCIZIO:** da -20° a +90°C  
**MAX WORKING PRESSURE:** 5 bar  
**WORKING TEMPERATURE:** from -20° to +90°C

| Inch.            | DN | D2   | D3 | D4   | L   | L2   | L3 | L4  | H   | CH | Peso (kg)<br>Weight |
|------------------|----|------|----|------|-----|------|----|-----|-----|----|---------------------|
| 3/4 x 1<br>1/4   | 20 | 43.5 | 31 | 38.5 | 98  | 16.3 | 64 | -   | 56  | 46 | 0.51                |
| 1 x<br>1 1/4     | 25 | 53   | 31 | 38.5 | 110 | 19.1 | 64 | -   | 60  | 46 | 0.72                |
| 1 1/4 x<br>1 1/4 | 32 | 53   | 31 | 38.5 | 100 | 21.4 | 64 | -   | 60  | 46 | 0.72                |
| 2 x 2            | 50 | 65   | 46 | 55   | 140 | 25.7 | -  | 160 | 86  | 63 | 2.00                |
| 2 1/2 x<br>2 1/2 | 65 | 87   | 59 | 71   | 163 | 30.2 | -  | 170 | 104 | 80 | 2.95                |

| DENOMINAZIONE<br>PART                 | MATERIALI<br>MATERIALS |
|---------------------------------------|------------------------|
| 1 CORPO<br>BODY                       | OTTONE<br>BRASS        |
| 2 MANICOTTO<br>END CONNECTION         | OTTONE<br>BRASS        |
| 3 CANOTTO<br>MALE UNION TAIL          | OTTONE<br>BRASS        |
| 4 GIRELLO<br>NUT                      | OTTONE<br>BRASS        |
| 5 SFERA<br>BALL                       | OTTONE<br>BRASS        |
| 6 GUARNIZIONE SFERA<br>BALL SEAT      | PTFE<br>PTFE           |
| 7 ALBERO<br>STEM                      | OTTONE<br>BRASS        |
| 8 O-RING<br>O-RING                    | NBR<br>NBR             |
| 9 RONDELLA ANTIATTRITO<br>STEM WASHER | PTFE<br>PTFE           |
| 10 BUSSOLA<br>PACKING GLAND           | OTTONE<br>BRASS        |
| 11 DADO<br>NUT                        | ACCIAIO<br>STEEL       |
| 12 FARFALLA<br>T-HANDLE               | ALLUMINIO<br>ALUMINIUM |

VALVOLA A SFERA PER CONTATORE GAS, CON ATTACCO PER FERRO MENSOLA, PREDISPOSTA AL MONTAGGIO DELLA SERRATURA ESTRAIBILE, CON CAPPUCIO PIOMBABILE

BALL VALVE FOR GAS METER, WITH CONNECTION FOR METER BRACKET SUITABLE TO BE EQUIPPED WITH EXTRACTABLE LOCK AND SEALABLE CAP



**PRESSIONE ESERCIZIO MAX:** 5bar  
**TEMPERATURA ESERCIZIO:** da -20° a +90°C  
**MAX WORKING PRESSURE:** 5 bar  
**WORKING TEMPERATURE:** from -20° to +90°C

| Inch.     | DN | D  | L    | L2   | L3 | H  | CH | Peso (kg)<br>Weight |
|-----------|----|----|------|------|----|----|----|---------------------|
| 3/4x1 1/4 | 20 | 16 | 75   | 16.3 | 35 | 40 | 46 | 0.57                |
| 1 x 1 1/4 | 25 | 22 | 84.5 | 19.1 | 35 | 66 | 46 | 0.67                |

**DENOMINAZIONE  
PART**

**MATERIALI  
MATERIALS**

|    |                                     |                  |
|----|-------------------------------------|------------------|
| 1  | CORPO<br>BODY                       | OTTONE<br>BRASS  |
| 2  | MANICOTTO<br>END CONNECTION         | OTTONE<br>BRASS  |
| 3  | GIRELLO<br>NUT                      | OTTONE<br>BRASS  |
| 4  | GHIERA<br>RING NUT                  | OTTONE<br>BRASS  |
| 5  | SFERA<br>BALL                       | OTTONE<br>BRASS  |
| 6  | GUARNIZIONE SFERA<br>BALL SEAT      | PTFE<br>PTFE     |
| 7  | ALBERO<br>STEM                      | OTTONE<br>BRASS  |
| 8  | O-RING<br>O-RING                    | NBR<br>NBR       |
| 9  | RONDELLA ANTIATTRITO<br>STEM WASHER | PTFE<br>PTFE     |
| 10 | BUSSOLA<br>PACKING GLAND            | OTTONE<br>BRASS  |
| 11 | COPRI SERRATURA<br>LOCK CAP         | OTTONE<br>BRASS  |
| 12 | DADO<br>NUT                         | ACCIAIO<br>STEEL |
| 13 | COPRI SERRATURA<br>LOCK CAP         | ZINCO<br>ZINC    |
| 14 | CAPPELLOTTO<br>CAP                  | PE<br>PE         |