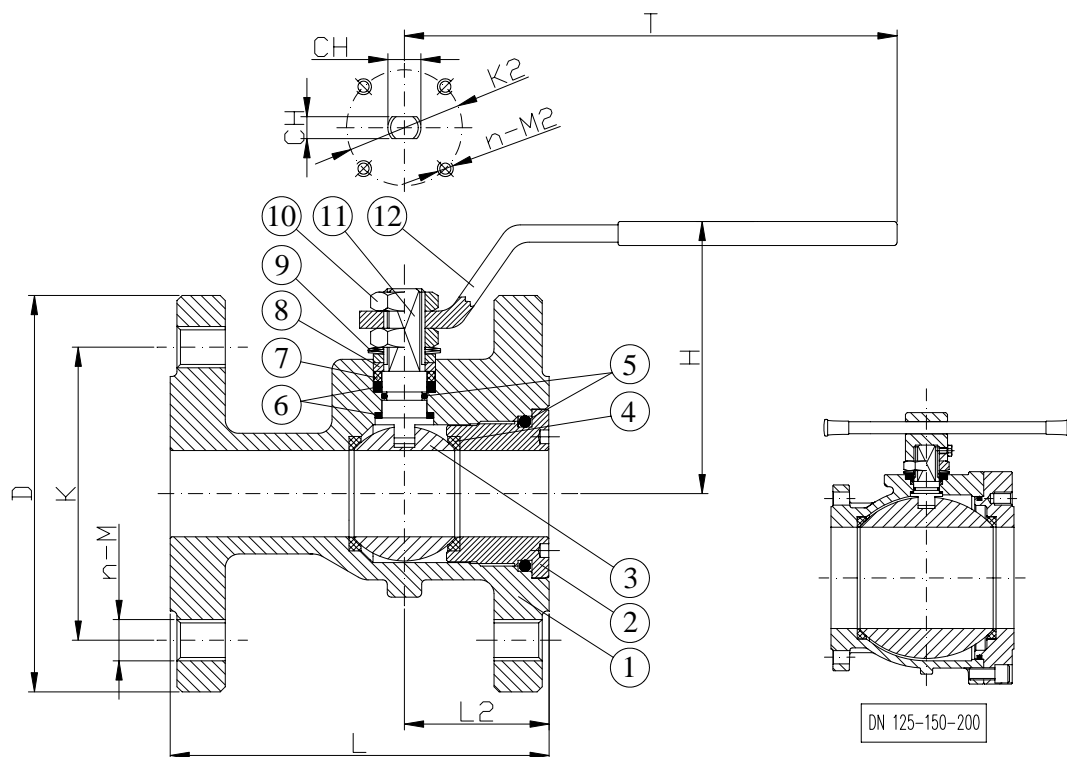


VALVOLA A SFERA FLANGIATA PN16, PASSAGGIO TOTALE, PER ACQUA

FULL BORE FLANGED BALL VALVE PN16, FOR WATER



TEMPERATURA ESER: da -20° a $+160^{\circ}\text{C}$
 WORKING TEMP: from -20° to $+160^{\circ}\text{C}$

DN	Inch	D	K	n-M	L	L2	H	T	CHx CH	K2	n-M2	W (kg)
25	1	115	85	4-M12	125	42	79	174	12x8	-	-	3.1
32	1 1/4	140	100	4-M16	130	47	86	174	12x8	-	-	4.8
40	1 1/2	150	110	4-M16	140	49	103	250	16x10	-	-	6.1
50	2	165	125	4-M16	150	52	110	250	16x10	-	-	7.6
65	2 1/2	185	145	4-M16	170	65	126	321	20x14	-	-	11
80	3	200	160	8-M16	180	66	138	321	20x14	70	4-M8	13.3
100	4	220	180	8-M16	190	89	158	381	24x18	102	4-M10	20
125	5	250	210	8-M16	200	100	180	381	24x18	102	4-M10	32
150	6	285	240	8-M20	210	105	237	700	42x30	125	4-M12	44
200	8	340	295	12-ø20	400	200	279	700	42x30	125	4-M12	97

DENOMINAZIONE PART	MATERIALI MATERIALS
1 CORPO BODY	GJL 250 GJL 250
2 MANICOTTO END CONNECTION	ACCIAIO ASTM-A105 STEEL ASTM-A105
3 SFERA BALL	CW 617 CW 617
4 GUARNIZIONE SFERA BALL SEAT	PTFE PTFE
5 O-RING O-RING	NBR NBR
6 RONDELLA ASTA STEM GASKET	PTFE PTFE
7 BUSSOLA PACKING GLAND	ACCIAIO AL CARBONIO CARBON STEEL
8 RONDELLA MEZZOGIRO END STOP	ACCIAIO AL CARBONIO CARBON STEEL
9 MOLLA A TAZZA SPRING WASHER	ACCIAIO AL CARBONIO CARBON STEEL
10 DADO NUT	ACCIAIO AL CARBONIO CARBON STEEL
11 ALBERO STEM	ACCIAIO INOX A182-F304 STAINLESS STEEL A182-F304
12 LEVA HANDLE	ACCIAIO AL CARBONIO CARBON STEEL